

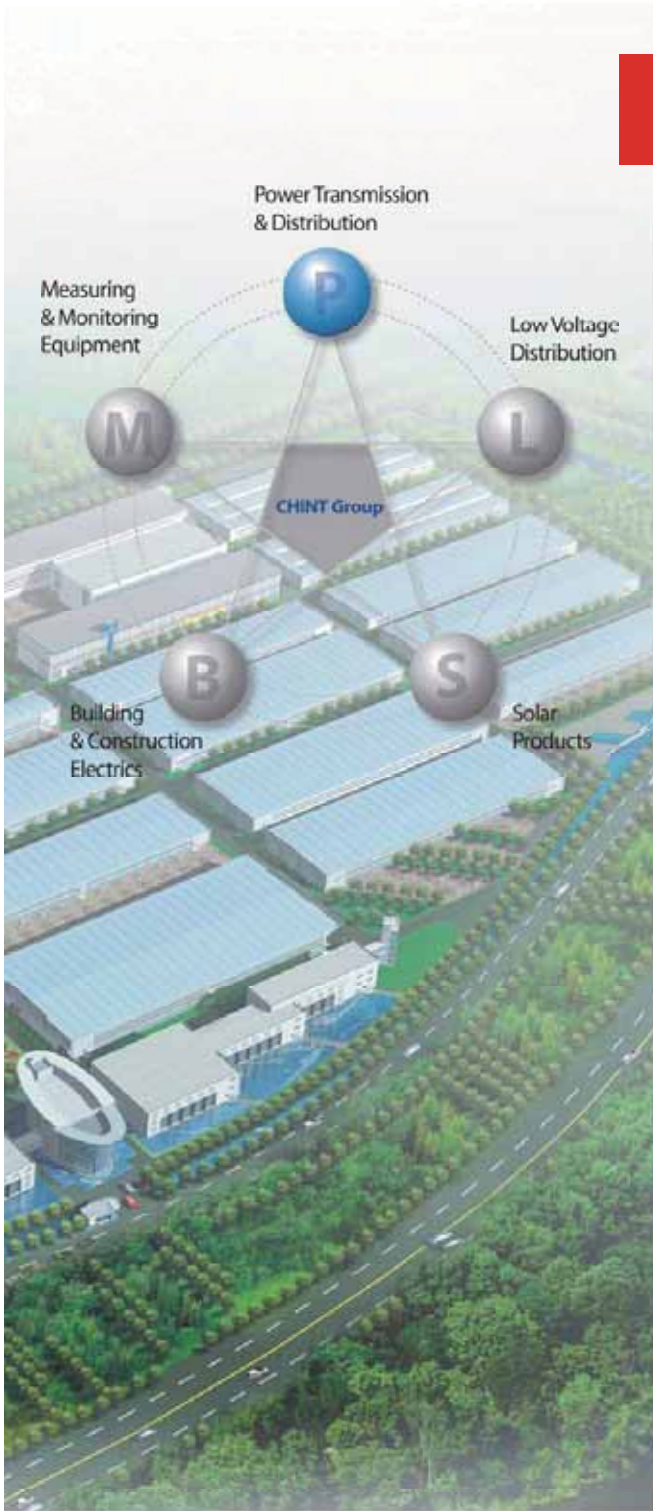
CHINT



CHINT Power Transmission & Distribution CT & PT series



Brief introduction



About CHINT T&D

- CHINT Power Transmission & Distribution is one of the five industrial divisions of CHINT Group
- Sales Turnover: 375 million US dollars in the year of 2007-2008
- Employees: 4,000 persons, including around 500 engineers and technical supporting staffs

Product Ranges:

- Transformer
- HV Circuit Breakers
- GIS
- Disconnectors & VCBs
- MV and LV Switchgears, Cubicles & Prefabricated Substations
- LV Terminal Box
- HV Surge Arresters, Insulators
- HV Current / Voltage Transformers
- HV Capacitors
- HV/MV Power Wires and Cables
- Power Automation Equipment
- Turn-key Project Construction

Competitive Advantages of CHINT T&D Products:

- High Consistency & Reliability
- Competitive Cost with Large Scale Production
- Systematic Products Lines

About CHINT Group

- CHINT is the leading player in the Power Transmission & Distribution industry and Low-voltage electrics industry in China. Its sales turnover was 2 Billion US dollars by the end of year 2007
- Founded in 1984 by a few local entrepreneurs and currently hiring 16,000 employees worldwide
- Ranked the 15th in Top 100 Companies of China, which were appraised from all private companies (Forbes)
- Ranked the 1st in the Power Transmission & Distribution and Controlling Devices Sector (China Machinery Summit)
- Nominated as National Well-known Trademark, one of the most prestigious honors for outstanding enterprises by China State Administration of Industry and Commerce
- National Quality Management Award (one of top honors for manufacturing companies in China)
- Worldwide business operation with 2,000 sales offices, agents, distributors, and local partner in domestic Chinese market and distributors & local partners in over 70 countries. International branches or regional offices set up in USA, UAE, Germany, Russia, Brazil, Ukraine, Hong Kong, UK and Kenya
- CHINT stretches its business to a new frontier of solar energy by setting up a branch company specialized in the solar energy products development
- The R&D center of CHINT is recognized as the National Level R&D Center run by the companies, which means the R&D level of CHINT Group has reached the leading position in the industry of China



Catalogue

Outdoor SF ₆ CT & PT	LVQB-220 SF ₆ Type Current Transformer	1
	LVQB-110W2 SF ₆ Type Current Transformer	3
	JDQXF-110W2 SF ₆ Type Voltage Transformer	5
	JSXQH-126 Type Voltage Transformer	7
Outdoor oil immersed CT & PT	LB9-220 Current Transformer	9
	LB7-110 Current Transformer	11
	JDC6-110、JDCF-110 Voltage Transformer	12
	LABN6-35 Current Transformer	14
	JDN2-35W2 Voltage Transformer	15
	JDXN2-35 Voltage Transformer	17
Outdoor Dry Type Current Transformer	LGB-110 Current Transformer	18
Outdoor Combined Transformer	JLS-35 Power Measuring Box	20
	JLS-6、10 Combined Transformer	21
	JLS5-6、10 Three-phase Power Measuring Box	22
	JLSZ1-10 Combined Transformer	24
	JLSZ5-10 Combined Transformer	25
Outdoor Cast-resin Full-enclosed CT & PT	LZZBW-10 Current Transformer	26
	LZZBW-24 Voltage Transformer	28
	LZZBW-35B1(B2) Current Transformer	29
	JDZW-10 Voltage Transformer	32
	JDZXW-20 Voltage Transformer	33
	JDZXW-35 Voltage Transformer	34

Indoor cast-resin
full-enclosed
current transformer

LDJ5-35Q/300 Current Transformer	36
LZZB9-35C Current Transformer	37
LZZB8-35A Current Transformer	39
LZZB7-35 Current Transformer	41
LZZBJ4-35(W1) Current Transformer	42
LFS-10、LFSQ-10Q Current Transformer	43
LZZBJ9-10A(B1)(C1) Current Transformer	46
LZZBJ9-10A2(C2) Current Transformer	48
LZZBJ9-10AGY Current Transformer	50
LZZBJ9-10A5G Current Transformer	52
LZZBJ9-10B2 Current Transformer	53
LZZBJ9-12/175/b/2(4) Current Transformer	55
LZZBJ9-12/150/b/2(4) Current Transformer	57
LZZBJ9-10D1 Current Transformer	59
LZZBJ9-10 Current Transformer	61
LZZBJ8-10(LFSB-10) Current Transformer	62
LZZQB6-10 Current Transformer	64
LFZBJ8-10Q Current Transformer	65
LDJ-10/210 Current Transformer	67
LDJ2-10Q/210-Y Current Transformer	68
LDJ4-10/230 Current Transformer	70
LZZJ-10 Current Transformer	72
LZJ8-10, LZJC8-10 Current Transformer	73
LZX8-10 Current Transformer	75
LDZJ1-10 Current Transformer	76
LMZB(J)-10 Current Transformer	77
LMZJ-10Q1 (Q2) (Q3) Current Transformer	79
LAZBJ-10 Current Transformer	81
LQZBJ-10、LQJ8-10 Current Transformer	82
LAZBJ-10W2 Current Transformer	83

Indoor cast-resin
semi-enclosed
current transformer

LCZ-35Q Type current transformer	84
LA-10(Q) Type current transformer	86
LAJ-10(Q) Type current transformer	88
LQJ-10 Type current transformer	90

Indoor cast-resin semi-enclosed current transformer	LZJC-10 Type current transformer	91
	LZX-10 Type current transformer	93
Zero Sequence Current Transformer	LJ-2 (4、7) Current Transformer	94
	LXK-80 (100,200) Current Transformer	95
	LMZH-126 Current Transformer	97
	LR-35 Current Transformer	98
Indoor cast-resin full-enclosed voltage transformer	JDZ9-35、JDZX9-35 Type voltage transformer	99
	JDZ9-10、JDZX9-10 Type voltage transformer	100
	JDZ10-10、JDZX10-10 Type voltage transformer	102
	JDZ10-10B、JDZX10-10B Type voltage transformer	103
	JDZ10-6、JDZX10-6 Type voltage transformer	105
	JDZ11-10A Type voltage transformer	106
	JDZ11-10B Type voltage transformer	108
JDZX11-10AG Type voltage transformer	109	
Indoor cast-resin semi-enclosed voltage transformer	JDZ(J)-3、6、10(Q) Type voltage transformer	110
	JDZ(J)-3、6、10 Type voltage transformer	111



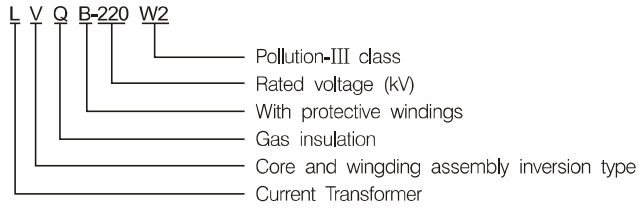
LVQB-220 SF₆ Type current transformer

1 Applications

LVQB-220 SF₆ gas insulated type current transformer, outdoor used, is intended for power and current measurement and relay protection in power system.

Applicable Standard: IEC60044-1 Current Transformer.

2 Type Designation



3 Operation Conditions

- 3.1 Installation area: outdoor or indoor
- 3.2 Ambient temperature: Max. temperature: +40; Min. temperature: -30℃; (special requirement: -40℃)
- 3.3 Altitude: not more than 1000m (special requirement: not more than 3000m)
- 3.4 Air conditions: No contamination or corrosive and volatile medium in air
- 3.5 Earthquake intensity: areas below 8 degree
- 3.6 Max. Wind velocity: not more than 35m/s

4 Technical Parameters

- 4.1 Rated voltage: 220kV
- 4.2 Highest voltage: 252kV
- 4.3 Rated frequency: 50Hz
- 4.4 Short-time power frequency withstand voltage: 395kV
- 4.5 Whole-wave lightning impulse withstand voltage: 950kV
- 4.6 Rated secondary current : 5A or 1A
- 4.7 Accuracy class (see table 1)
- 4.8 Rated output (see table 1)
- 4.9 Safety factor: 5、10
- 4.10 Accuracy limit factor: 15、20、25
- 4.11 SF₆ Rated pressure: 0.4MPa (at 20℃)
- 4.12 SF₆ Reinforcing pressure (20℃): 0.35 MPa
- 4.13 SF₆ Leakage ratio: ≤1%
- 4.14 SF₆ Water content: ≤250mL/L
- 4.15 Weight: Bell-shape cover type: 1100kg
T type: 880kg

Rated current ratio (A)	Combined accuracy classes	Rated output (VA)	External creepage distance (mm)	3s Short-time thermocurrent (kA)	Rated dynamic stability current (kA)(peak)
2×300/5	0,2/0,5/5P/5P/5P/5P	30	W ₁ ≥ 5040 W ₂ ≥ 6300 W ₃ ≥ 7812	31.5~63	80~160
2×500/5		40			
2×600/5		50			
2×750/5		50			
2×1000/5		50			
2×1250/5		50			

5 Structure and Feature

Overall product structure upside-down by the body (there own devices), such as base casing and insulation components. At the top, telecommunication products, or processed by using welded Aluminum rustproof cast aluminum material processed. After all my body strength, hermetic tests and X-ray flaw detection.

Transformer device itself (a winding and secondary windings) fixed in the body, Winding between the first and second using SF₆ gas insulated windings. The secondary winding shielding tube containing epoxy insulation supporting documents support Lead management diverted to a secondary winding wire through the base wiring box.

Cases use silicone rubber composite insulation casing ,and the glass uses a high strength steel sleeve internal support. Shed overall external uses silicone rubber injection molding. Compared with the high-strength ceramic casing, the casing has an outstanding anti-flashing silicone rubber property of hydrophobic properties and excellent electrical erosion resistance.

The base of installed wiring boxes, inflatable valve controller and SF₆ gas density, SF₆ gas density and temperature compensation function controller with two alarm signal can be used to provide connections, products available on the remote control gas pressure.

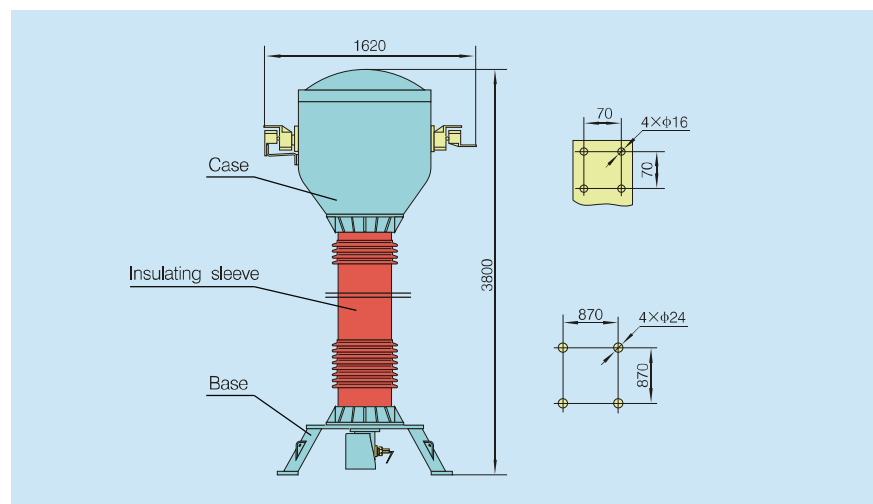
The use of specialized software products for 2D and 3D field, the electric field calculation

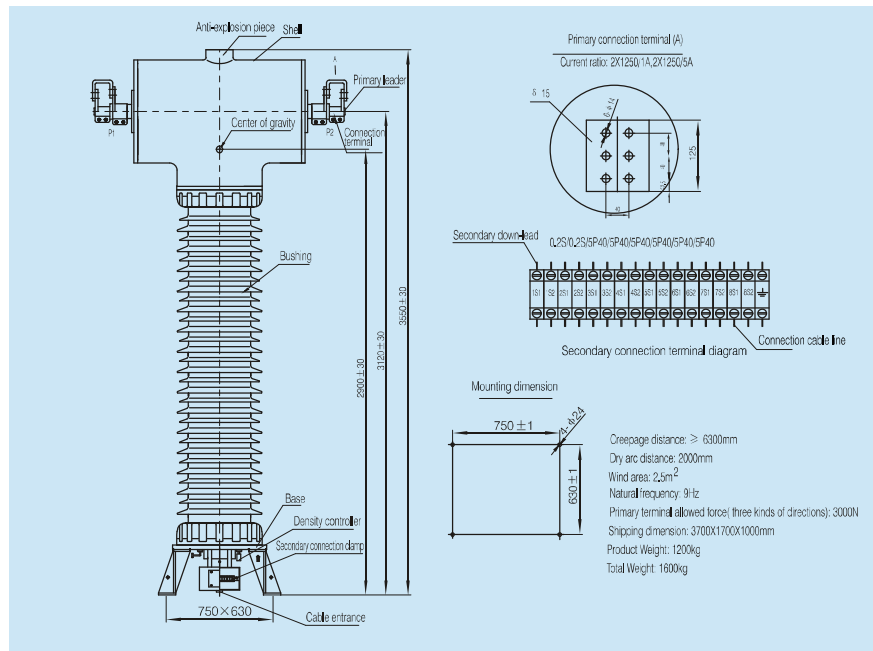
Insulation is stable and reliable, with a secondary winding SF₆ gas is a gap between the insulation. SF₆ gas insulated performance is stable and reliable, without worry of aging, and there insulation restores function.

No fire and explosion hazards, even if the products due to internal factors leading to accidents arc, its growth rate due to the initial pressure of the gas compressibility and slow down, no matter where in the internal fault, internal pressure is slowly growing pressure to release value 0.8MPa films blasting, blasting films quickly release pressure, Coat only products under low pressure, and the bursting pressure blasting films, shell casing and insulation strength of the design is more than 2.5 times the margin of safety.

Reliable circuit stability (a thermal stability), when the short-circuit current through, The series of products with high electrical stability of a product than oil-immersed transformer short circuit, no multi-dressing, Cooling conditions, the copper consumption in the same premise, the series of products with lower temperature and has no long-term operation of the thermal insulation aging problem.

6 Outline and Mounting Dimensions





7 Information required for order placing

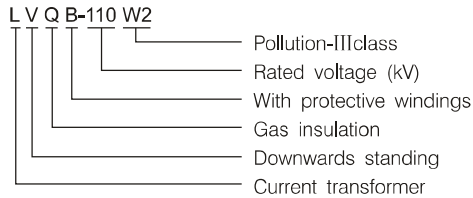
- 7.1 Model
- 7.2 Rated current ratio: A
- 7.3 Accuracy class and rated output: VA
- 7.4 Altitude: m

LVQB-110W2 SF₆ Current transformer

1 Applications

LVQB-110W2 outdoor used is intended for power and current measurement and relay protection between phase and earth in AC 110kV, 50Hz power system with effective neutral point. Applicable Standard: IEC60044-1 Current transformer.

2 Type Designation



3 Operation Conditions

- 3.1 Ambient temperature: Max. temperature: +40℃; Min. temperature: -25℃; daily average temperature: not more than 30℃
- 3.2 Altitude: not more than 1000m (special requirement: not more than 3000m)
- 3.3 Air conditions: pollution-III class
- 3.4 Earthquake intensity: 8 degree
- 3.5 Relative humidity: less than 95% (at 20℃)
- 3.6 Max. Wind velocity: not more than 35m/s



4 Technical Parameters

4.1 Technical parameters of LVQB-110W2 type current transformer

Rated current ratio (A)	Combined accuracy classes	Rated output (VA)	External creepage distance (mm)	Gas weight/gross weight (kg)	3s Short-time Thermocurrent (kA)	Rated dynamic stability current (kA)(peak)
2×300/5						
2×500/5						
2×600/5	5P20/5P20/5P20/0.2	50/50/50/50	3200	8/500	40	100
2×750/5						
2×1000/5						

4.2 Rated insulation level: 126/200/480kV

5 Structure and Feature

The current transformer adopts SF₆ gas insulated media. It is mainly made up of base porcelain bushing and shell. Primary winding and secondary winding are mounted in the shell and an anti-explosion device is fixed on the top of the shell. Porcelain bushing is made of high strength porcelain. The SF₆ gas density gauge with alarming function is mounted on the base to inspect the internal pressure.

The characteristics of the current transformer are as follows:

5.1 Safe and reliable operation.

5.1.1 Porcelain bushing is made of high strength porcelain. It can endure burst pressure 6 to 7 times more than rated pressure.

5.1.2 The top of the transformer is equipped with anti-explosion strip which enables the internal pressure up to 0.8-0.9 Mpa. When internal pressure exceeds the limit, the anti-explosion strip will burst automatically. Therefore, prevent the explosion and fire risks.

5.2 Reliable insulation and carrying current capability.

5.2.1 It adopts SF₆ gas as main insulation medium which has high insulation and automatic recovery property. Therefore, assure the reliable insulation performance.

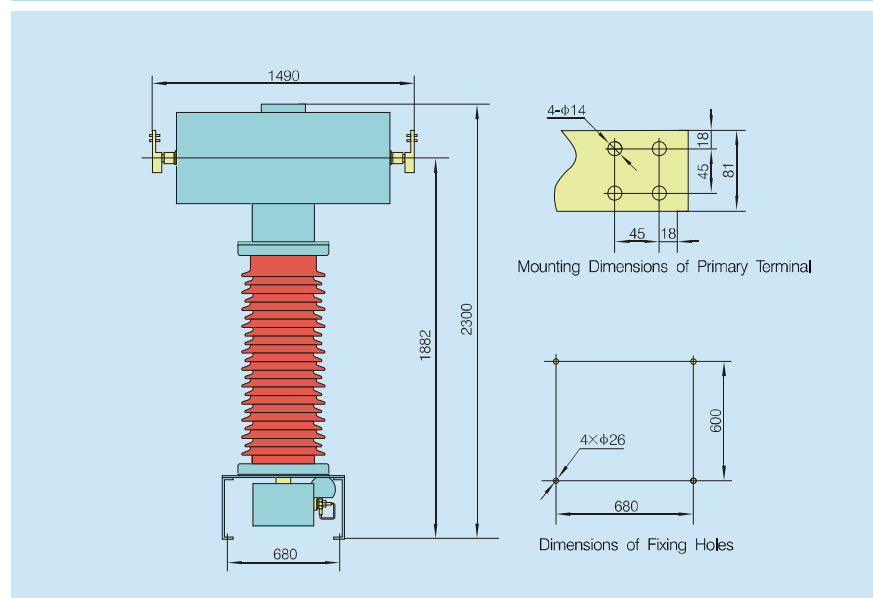
5.2.2 The primary winding is able to endure rather larger dynamic stability current.

5.3 Less inspection and free maintenance.

The rated voltage is 0.4 Mpa. Gas-filling voltage is 0.35 Mpa. The annual gas leakage rate is less than 1%. It is free from maintenance for 10 years.

5.4 The transformer adopts the worldwide advanced automatically sealed valve to reduce leakage, as a result increases its reliability.

6 Outline and Mounting Dimensions



7 Information required for order placing

- 7.1 Model
- 7.2 Rated current ratio: A
- 7.3 Accuracy class and rated output: VA
- 7.4 Altitude: m



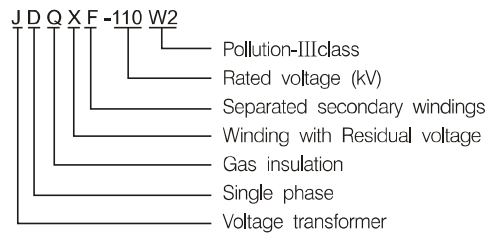
JDQXF-110W2 SF₆ Voltage Transformer

1 Applications

JDQXF-110W2 SF₆ outdoor used Voltage transformer is intended for power and voltage measurement and relay protection between phase and earth in AC 110kV, 50Hz power system with effective neutral point.

Applicable Standard: IEC60044-2 Voltage transformer.

2 Type Designation



3 Operation Conditions

- 3.1 Ambient temperature: Max. temperature: +40°C; Min. temperature: -25°C; daily average temperature: not more than 30°C
- 3.2 Altitude: not more than 1000m (special requirement: not more than 3000m)
- 3.3 Air conditions: pollution-IIIclass
- 3.4 System earthing method: neutral point earthing effectively
- 3.5 Earthquake intensity: 8 degree
- 3.6 Relative humidity: less than 95% (at 20°C)
- 3.7 Max. Wind velocity: not more than 35m/s

4 Technical Parameters

Model	JDQXF-110W2
Rated primary voltage	110/√3
System nominal voltage (kV)	110
Highest voltage for equipment (kV)	126
Rated voltage ratio (kV)	110/√3/0.1/√3/0.1/√3/0.1kV
Accuracy classes	0.2/0.5/3P
Rated output (VA)	100/200/300
Partial discharge level (pC)	≤5
Short time power frequency withstand voltage (kV/1min)	200
Lightning impulse withstand voltage (kV)	480
Internal insulating medium	SF ₆ Gas
Creepage distance (mm)	≥3150
Dimensions (mm)	680×670×1920
Gross weight (kg)	450

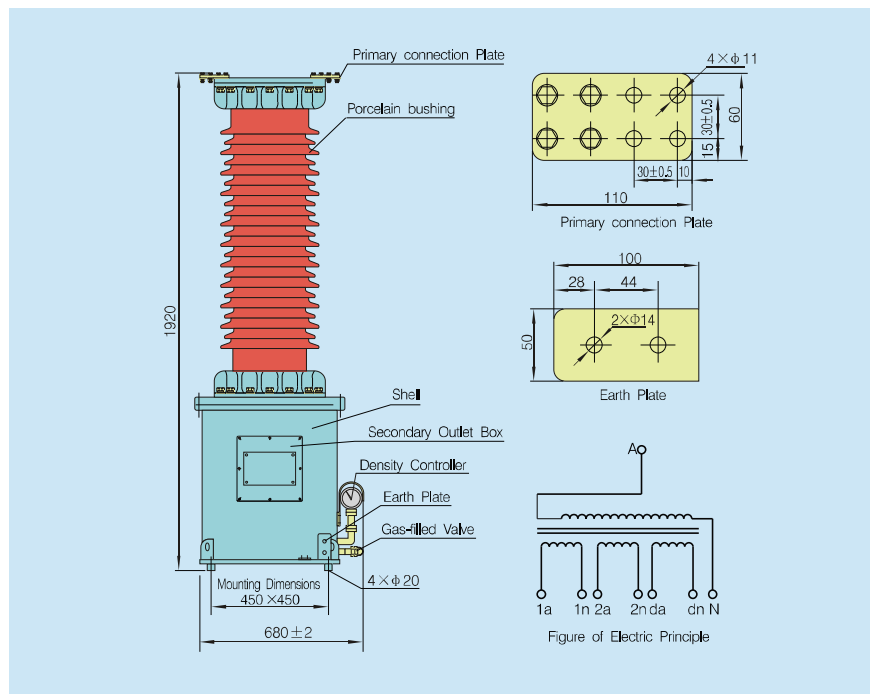
5 Structure and Feature

The voltage transformer is of single-phase and freestanding SF₆ insulative voltage transformer which adopts vertical structure. It consists of main body, metallic shell, wiring tube and porcelain bushing and so on.

The transformer is designed with monopole structure. Compounded insulation system is formed by SF₆ gas and diamond-dotted polyester film to assure the product's excellent capacity to withstand high voltage. Low-voltage winding and high-voltage winding are both provided with Internal and external static shielding, HV winding is equipped with shielding case to improve field-intensity distribution, HV and LV windings are installed on core which is a flat 4-hole pad, suitable for bolting. The HV and LV winding and core are fixed on shell which is connected with porcelain housing.

It has primary connection plate, earth plate, secondary outlet box, gas-filled joint, pressure gauge (density controller), absorbent and explosion-proof piece. All sealed sections adopt O-ring gaskets smeared with water-proof adhesive. The whole product is hermetically sealed and filled with gas with rated pressure to assure its proper operation.

6 Outline and Mounting Dimensions



7 Information required for order placing

- 7.1 Model
- 7.2 Rated current ratio: A
- 7.3 Accuracy class and rated output: VA
- 7.4 Altitude: m



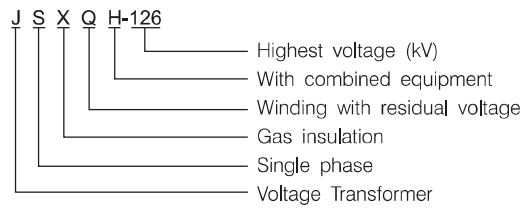
JSXQH-126 Type voltage transformer

1 Applications

JSXQH-126 type voltage transformer (PT for short hereinafter) is the support equipment of metal sealed switch gear insulated by gas. It's suitable for voltage measurement and relay protection in power system of neutral point earthing effectively with rated frequency 50Hz and rated voltage 110kV.

Applicable Standard: IEC60044-2 Voltage Transformer.

2 Type Designation



3 Operation Conditions

- 3.1 Installation area: outdoor or indoor
- 3.2 Ambient temperature: Max. temperature: +40; Min. temperature: -30°C; (special requirement: -40°C)
- 3.3 Air conditions: No contamination or corrosive and volatile medium in air
- 3.4 Earthquake intensity: 8 degree

4 Technical Parameters

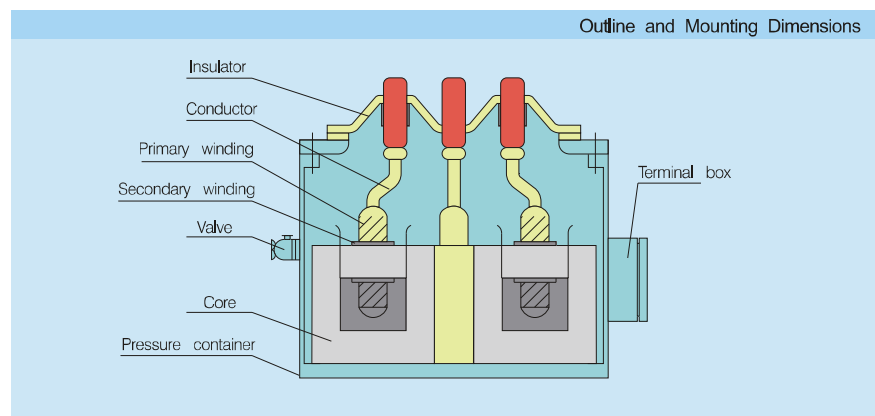
Rated voltage ratio	Rated secondary voltage (kV)	Winding with residual voltage	Highest voltage
110/ $\sqrt{3}$ /0.1/ $\sqrt{3}$ /0.1/ $\sqrt{3}$ /0.1kV	0.1/ $\sqrt{3}$	0.1kV	126kV

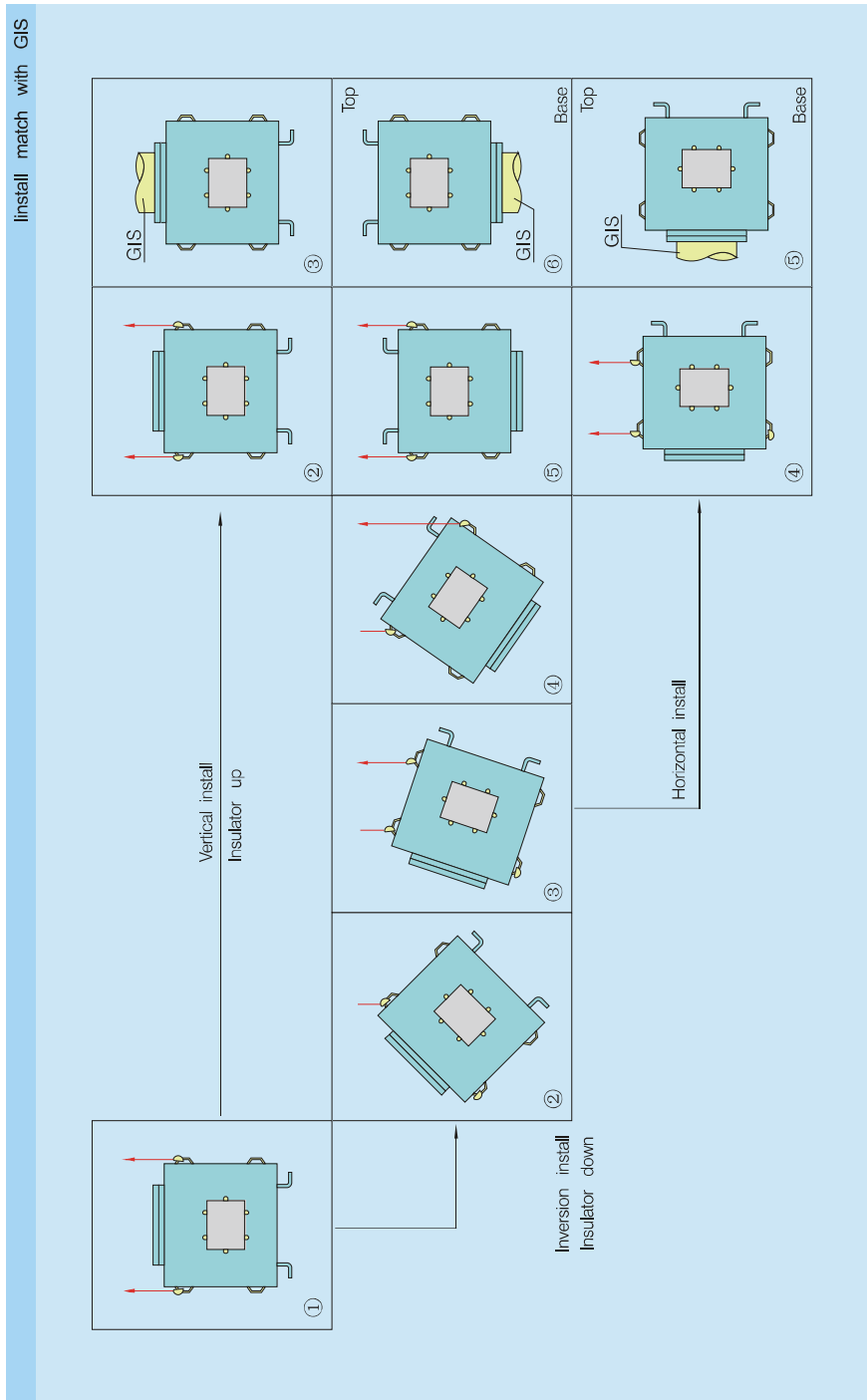
5 Structure and Feature

The product adopts box type structure. It can be divided into once conductor, shell, three pieces of single-phase core and winding assembly, terminal box and anti-explosion piece.

A piece of core and winding assembly is monopole type. It can withstand high voltage because of composite insulator made up of gas SF₆ and LingGe mylar. Core and winding assembly is fixed in the shell. Lead lines of secondary winding is led to connection box through secondary connection plate. There are terminals for connecting in the connection box.

6 Outline and Mounting Dimensions





7 Information required for order placing

- 7.1 Model
- 7.2 Rated current ratio: A
- 7.3 Accuracy class and rated output: VA
- 7.4 Altitude: m
- 7.5 Suitable insulator
- 7.6 Requirements for insulation



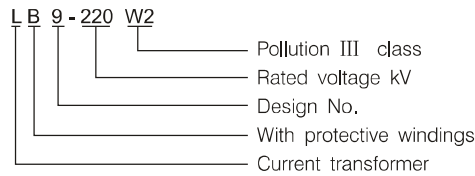
LB9-220 Current transformer

1 Applications

LB9-220W2 type current transformer, outdoor used, is intended for power and current measurement and relay protection in AC 110kV ,50Hz power system with effective neutral point.

Applicable standard: IEC60044-1 Current transformer.

2 Type Designation



3 Operation Conditions

- 3.1 Ambient temperature: Max .temperature +40°C; Min. temperature -25°C(-45°C);
daily average temperature: not more than 30°C.
- 3.2 Altitude: not more than 1000m (special requirement: not more than 3000m).
- 3.3 Air conditions: No contamination or corrosive and volatile medium in air.
- 3.4 Earthquake intensity: 8 degree.
- 3.5 Relative humidity: less than 95%(at 20°C).
- 3.6 Wind velocity: less than 35m/s.

4 Technical Parameters

Rated current ratio(A)	Combined accuracy classes	Rated output(VA)	External creepage distance(mm)	Rated short-time thermocurrent(kA)	Rated dynamic stability current(kA)(peak)
2×600/5				31,5-50	80-125
2×750/5	5P20/5P20/5P20	50/50/50/50/50	6300		
2×1000/5	/5P20/0,2S/0,5			50-63	125-160
2×1250/5					

- 4.1 Technical parameters of LB9-220W2 current transformer.
- 4.2 Rated insulation level: 252/395/950kV.
- 4.3 Oil weight total weight: 330/1310kg

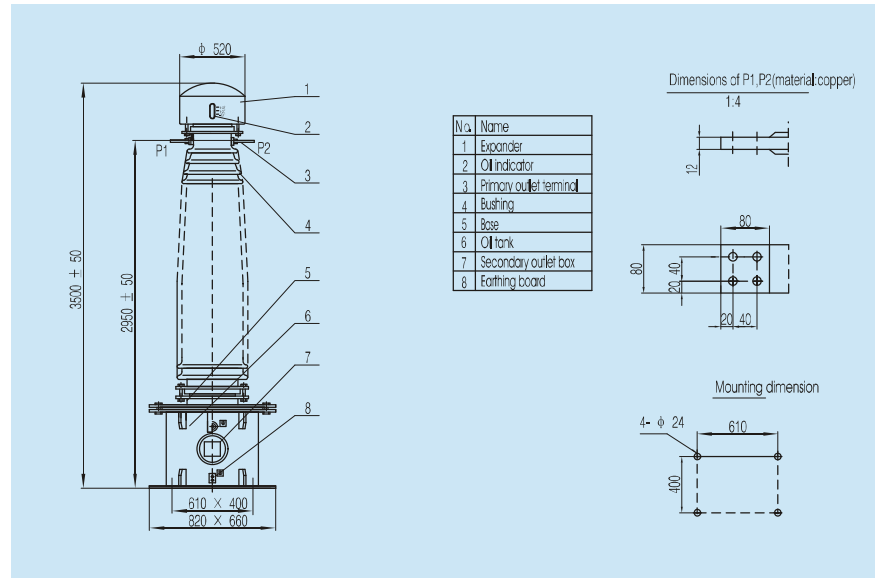
5 Structure and Feature

The product is of totally enclosed structure, adopts capacitive oil paper as insulated media. It consists of tank 、 porcelain housing 、 expander 、 main body 、 primary outlet devices and secondary outlet box and so on. In virtue of bracket, the lower said of main body is in the tank. And the upside is in the porcelain housing which is the main insulation from high to low potential; Expander is put into the top side of porcelain housing; It is in the state of micro—pressure air under current transformer operation. Then, with the change of temperature, it can expand to give more volume. It is full of transformer oil in the product.

The primary and secondary winding make up of a main body. The primary winding, U type, is winded by HV cable paper as main insulation. Between the layers, there are several aluminized papers with uniform electric field. The primary winding is divided into two parts with four outlet terminals which have been let out from holes in flank of porcelain housing by primary outlet devices. The current ratio is changed by different connections of primary device. After connected to primary windings, the secondary windings are fixed on bracket.

The secondary outlet box is in the face of tank. At the same time, secondary lead and earth shade terminal are let by secondary connective plate.

6 Outline and Mounting Dimension



7 Information required for order placing

- 7.1 Model
- 7.2 Rated current ratio: A
- 7.3 Accuracy class and rated output: VA
- 7.4 Altitude: m

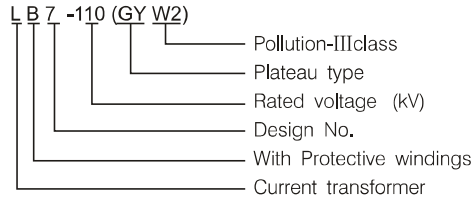


LB7-110 Series current transformer

1 Applications

LB7-110 type current transformer is intended for power measurement, current measurement and relay protection in power system with rated frequency 50Hz or 60Hz and rated voltage 110kV. Applicable Standard: IEC60044-1 Current transformer.

2 Type Designation



3 Operation Conditions

- 3.1 Installation area: outdoor
- 3.2 Ambient temperature: Max. temperature: +40°C; Min. temperature: -25°C(-45°C); daily average temperature: not more than 30°C
- 3.3 Altitude: not more than 2000m
- 3.4 Air conditions: No heavy pollution in air

4 Technical Parameters

4.1 Technical parameters of LB7-110 series current transformer.

Rated current ratio (A)	Combined accuracy classes	Rated output (VA)	External creepage distance (mm)	Oil weight/gross weight (kg)	Rated short-time thermo current (kA)	Rated dynamic stability current (kA)(peak)
2×50/5	10P15/10P15/ 10P15/0.2	50/50/50/50	1980 W1/2760 W2/3150 W3/3850	145/645	5.3~42	13~108
2×75/5						
2×100/5						
2×150/5						
2×200/5						
2×300/5						
2×400/5						
2×500/5						
2×600/5						
2×750/5						
2×1000/5				135/660	31.5~45/s	80~115/s

4.2 Rated insulation level: 126/200/480kV

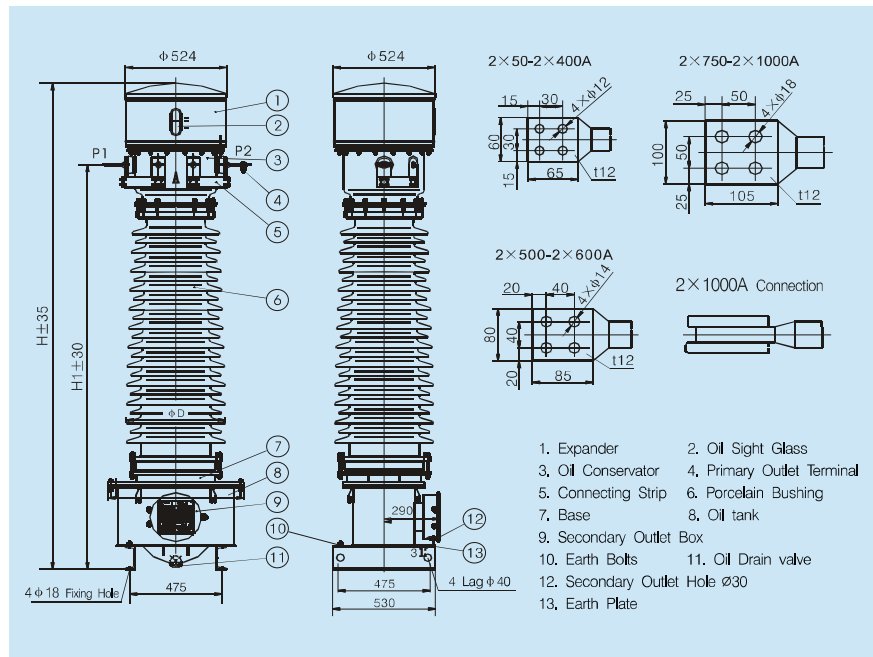
5 Structure and Feature

The oil-immersed current transformer mainly consists of tank, main body, porcelain bushing, oil conservator and expander. Main body consists of primary winding and secondary winding. Two sections form the primary winding insulated by HV cable paper with four outlet terminals from oil conservator. The current ratio is changed by different connections between external connection strips. After connected to primary winding, the secondary windings are fixed on bracket. The dried mineral oil is filled in oil conservator in vacuum condition.

The outlet terminal of the secondary winding is led out from the outlet terminal box mounted on the oil conservator. The external cable is connected to the box through the outlet hole on the bottom of the box. Both the inner part of the outlet terminal box and the bottom of the tank are provided with earth bolts. The welded tank is provided with four lags.

The current transformer is of hermetically sealed structure. Expander made of stainless steel is mounted on the top of the transformer to isolate the internal part and atmosphere, in order to prevent oil damp and prolong the service life of the mineral oil and the transformer.

6 Outline and Mounting Dimensions



Model	Rated primary current A	H	H1	ϕD	A	Oil weight (kg)	Gross weight (kg)
LB7-110	2×50-2×400	2345	1890	470	610	130	580
LB7-110GY(W1, W2,W3)	2×50-2×400	2645	2190	510	610	145	645
LB7-110	2×500-2×1000	2475	2015	510	735	120	590
LB7-110GY(W1, W2,W3)	2×500-2×1000	2775	2315	550	735	135	660

7 Information required for order placing

- 7.1 Model
- 7.2 Rated current ratio: A
- 7.3 Accuracy class and rated output: VA
- 7.4 Altitude: m

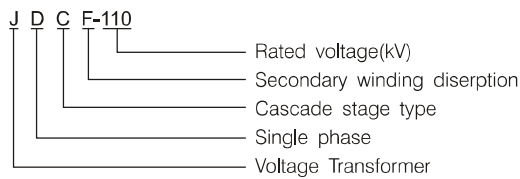
JDC6-110, JDCF-110 Type Oil immersion voltage transformer

1 Applications

JDC6-110, JDCF-110 Type Oil immersion voltage transformer, single-phase and three or four windings, is suitable for power and voltage measurement and relay protection in power system with rated frequency 50Hz and rated voltage 110kV.

Applicable Standard: IEC60044-2 Voltage Transformer.

2 Type Designation



3 Operation Conditions

- 3.1 Installation area: outdoor
- 3.2 Ambient temperature: Max. temperature: +40°C; Min. temperature: -25°C(-45°C); daily average temperature: not more than 30°C
- 3.3 Altitude: not more than 2000m
- 3.4 Air conditions: No heavy pollution in air

4 Technical Parameters

4.1 Technical parameters of JDC6-110, JDCF-110 Type Oil immersion voltage transformer

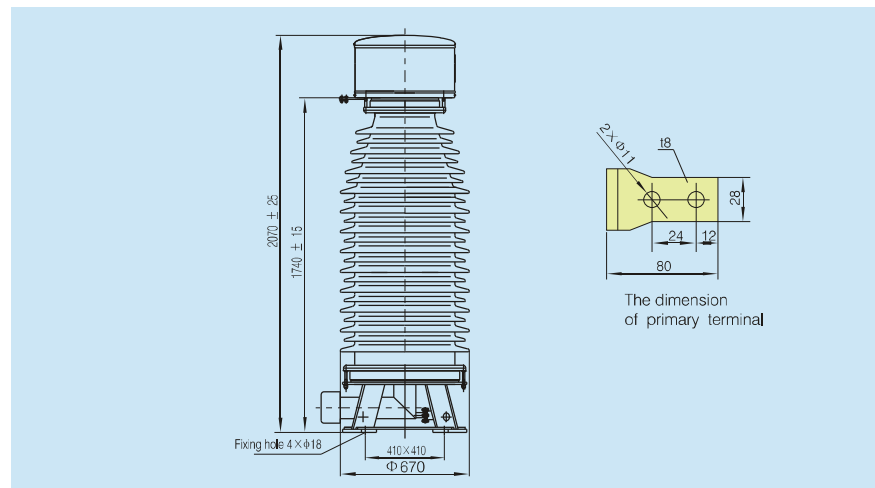
Model	Rated voltage ratio (V)	Combined accuracy classes and rated output (VA)		Ultimate output (VA)	Creepage distance of porcelain(cm)	Oil weight/ Total weight (kg)
JDC6-110					205	135/620
JDC6-110W1	110/√3/0.1/√3/0.1	0.2/3P	150/300VA	2000	275	165/710
JDC6-110W2					315	165/710
JDCF-110					205	135/620
JDCF-110W1	110/√3/0.1/√3/0.1/√3/0.1/√3/0.1	0.2/0.5/3P	100/200/300VA	2000	275	165/710
JDCF-110W2					315	165/710

4.2 Insulation level: 126/200/480kV

5 Structure and Feature

The product is cascade stage type structure. High quality silicon iron pieces, bar type, are builded up "□" type iron core ,then put primary windings on the top and bottom pillars of iron core respectively: the core and winding assembly became. It should be fixed on the base after vacuum dried. Lead line Terminals of secondary and residual winding is led from the base by porcelain. on the top of product, there is a metal expander, which can insulate transformer oil and air effectively to slow down aging speed of transformer oil.

6 Outline and Mounting Dimensions



Model	H	H1
JDCF-110(W1)W2、 JDC6-110(W1)W2	2070	1740

7 Information required for order placing

- 7.1 Model
- 7.2 Rated voltage ratio: V
- 7.3 Accuracy class
- 7.4 Accuracy class and rated output: VA
- 7.5 Altitude: m



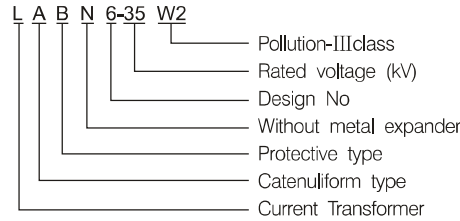
LABN6-35 Type Current transformer

1 Applications

LABN6-35 Type current transformer outdoor is suitable for power and voltage measurement and relay protection in power system with rated frequency 50Hz and rated voltage 35kV of neutral point earthing system effectively.

Applicable Standard: IEC60044-1 Current Transformer.

2 Type Designation



3 Operation Conditions

3.1 Installation area: outdoor

3.2 Ambient temperature: Max. temperature: +40°C; Min. temperature: -25°C(-45°C);
daily average temperature: not more than 30°C

3.3 Altitude: not more than 3000m

3.4 Air conditions: No heavy pollution in air

4 Technical Parameters

4.1 Technical parameters of LABN6-35 series current transformer.

Rated primary current (A)	Combined accuracy classes	Rated output (VA)	Nominal creepage distance ratio (mm/kV)	Rated short-time thermocurrent (kA)	Rated dynamic stability currnt (kA)(peak)
2×50				5,3~10,6	13~26
2×75				7,9~15,8	20~40
2×100	0,2S/10P15/10P15	30/30/30		10,6~21,2	27~54
2×150	0,2/10P15/ 10P15	30/30/30	≥16	15,8~31,6	40~80
2×200	0,5/10P15/10P15	30/30/30	W1≥20	21~42	54~108
2×300	0,2S/10P20/10P20	30/30/30	W2≥25	31,5~45	80~115
2×400	0,2/10P20/ 10P20	30/30/30	W3≥31	31,5~45	80~115
2×600	0,5/10P20/10P20	30/30/30		31,5~45	80~115
2×1000				31,5~45	80~115

4.2 Rated secondary current: 5A or 1A

4.3 Insulation level: 40,5/95/185kV

4.4 Oil weight / total weight: 25/160kg.

5 Structure and Feature

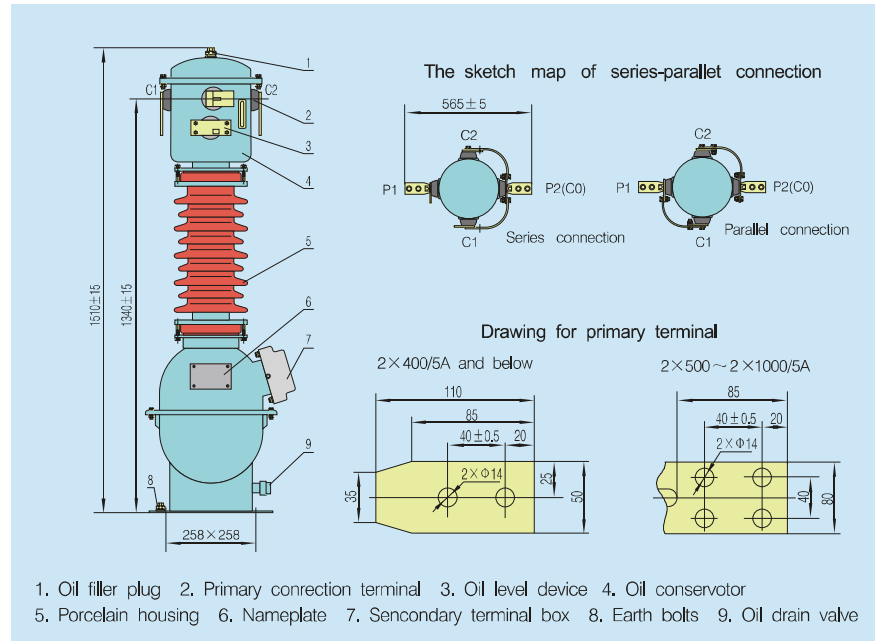
The product is oil tank type structure. After vacuum dried ,the core and winding assembly is put into the oil tank full of transformer oil. The higher part of core and winding assembly is primary winding and the lower part is secondary winding with catenuiform which is fixed on the down sail of oil tank. In the upper oil of tank, there is a porcelain housing and oil conservator. Four terminals of primary winding (P1, P2, P3, P4) and a terminal (CO) used in series and parallel connection is in the oil conservator. P2 terminal is connected with electric directly. So, when P1 connected with C1, P2 with C2 (at that time, CO connected with P2 by isopotential), two windings of primary winding is in parallel connection. We can say at that time the product is in the instance of high rated current ratio; when C1, C2 connected with CO, two windings of primary winding is in series connection. We can say at that time the product is in the instance of low rated current ratio.

There are three pieces of secondary winding (one is measurement class, two is protective class). Lead terminals are led out by secondary connection box, marking respectively 1S1, 1S2, 2S1, 2S2, 3S1, 3S2. When primary current flows from P1 to P2, secondary current flows back from S1 to S2 by secondary load. We call it subtractive polarity.

Because of primary winding in series and parallel connection, there are two kinds of rated current ratio, e.g 2×200/5A. When in series connection, rated current ratio is 200/5A; in parallel connection, is 400/5A.

The product is whole-sealed structure which can slow down aging speed of transformer oil. There is nameplate marked technical parameters and flying rings in the upper of oil tank. There is oil valve and earthing bolts on the bottom of down oil box.

6 Outline and Mounting Dimensions



7 Information required for order placing

- 7.1 Model
- 7.2 Rated current ratio: A
- 7.3 Accuracy class and rated output: VA
- 7.4 Altitude: m

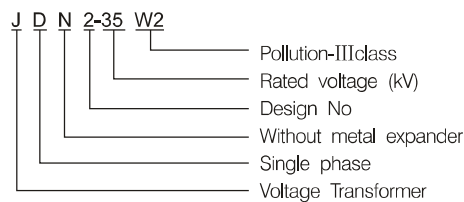
JDN2-35W2 Type voltage transformer

1 Applications

JDN2-35W2 Type voltage transformer, oil paper and outdoor type, is suitable for power and voltage measurement and relay protection in power system with rated frequency 50Hz and rated voltage 35kV.

Applicable Standard: IEC60044-2 Voltage Transformer.

2 Type Designation



3 Operation Conditions

- 3.1 Installation area: outdoor
- 3.2 Ambient temperature: Max. temperature: +40°C; Min. temperature: -25°C(-45°C);
daily average temperature: not more than 30°C
- 3.3 Altitude: not more than 1000m
- 3.4 Air conditions: No heavy pollution in air

4 Technical Parameters

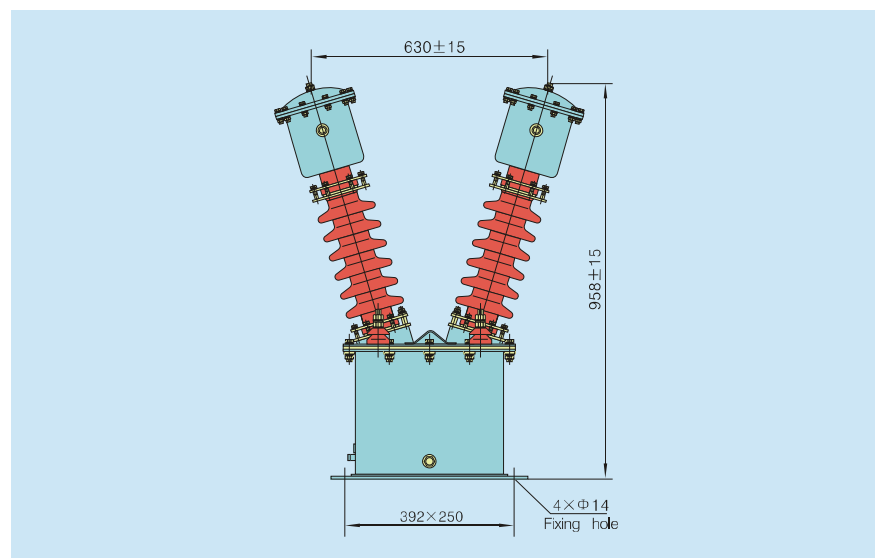
Model	Rated primary voltage (kV)	Rated secondary voltage (kV)	Rated output (VA)			Ultimate output (VA)	Oil weight/ Total weight (kg)	Rated insulation level (kV)
			class 0.5	class 1	class 3			
JDN2-35W2	35	0,1	150	250	500	1000	25/102	40.5/95/200

Note: Rated output is only matched to one of the relevant accuracy class.

5 Structure and Feature

The product is single-phase and double windings type voltage transformer. High quality silicon iron pieces, bar type, are builded up shell type iron core. Primary and secondary windings are winded pagoda type, becoming whole-sealed structure. The core and winding assembly should be fixed in oil tank. Lead line terminals of winding is led out from the tank cover by high and low voltage porcelains. There is transformer insulation oil in the product.

6 Outline and Mounting Dimensions



7 Information required for order placing

- 7.1 Model
- 7.2 Rated current ratio: A
- 7.3 Accuracy class and rated output: VA
- 7.4 Altitude: m



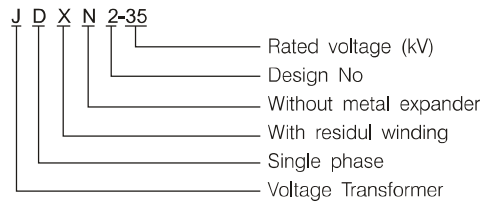
JDYN2-35 Type voltage transformer

1 Applications

JDYN2-35 Type voltage transformer, oil paper and outdoor type, is suitable for power and voltage measurement and relay protection in power system with rated frequency 50Hz and rated voltage 35kV.

Applicable Standard: IEC60044-2 Voltage Transformer.

2 Type Designation



3 Operation Conditions

3.1 Installation area: outdoor

3.2 Ambient temperature: Max. temperature: +40°C; Min. temperature: -25°C (-45°C); daily average temperature: not more than 30°C

3.3 Altitude: not more than 1000m

3.4 Air conditions: No heavy pollution in air

4 Technical Parameters

Model	Rated primary voltage (kV)	Rated secondary voltage (kV)	Voltage of winding with residual voltage (kV)	Rated output (VA)				Ultimate output (VA)	Oil weight/ Total weight (kg)	Rated insulation level (kV)
				class 0.2	class 0.5	class 1	class 6P			
JDYN2-35	35/√3	0.1/√3	0.1/3	80	150	250	100	1000	24/92	40.5/95/200

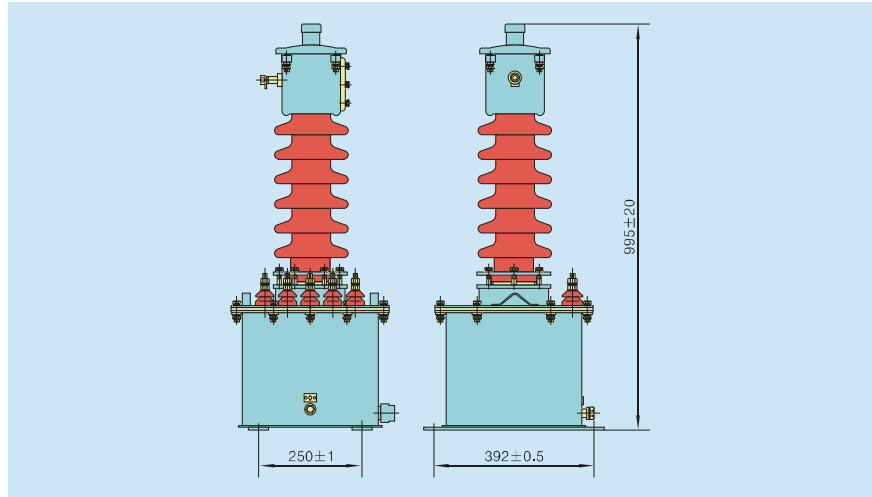
Note: Rated output is only matched to one of the relevant accuracy class.

5 Structure and Feature

The product is oil tank box type structure. High quality silicon iron pieces, bar type, are builded up three pillars shell type iron core, then put primary windings on pillars of iron core: the core and winding assembly became. It should be fixed on the base after vacuum dried. Lead line terminals of primary, secondary and residual winding is led out from the tank cover by high voltage big and small porcelains respectively. There is oil valve and earthing bolts at the bottom of tank. An oil conservator contains a capsule, which can insulate transformer oil and air effectively to slow down aging speed of transformer oil.



6 Outline and Mounting Dimensions



7 Information required for order placing

- 7.1 Model
- 7.2 Rated current ratio: A
- 7.3 Accuracy class and rated output: VA
- 7.4 Altitude: m



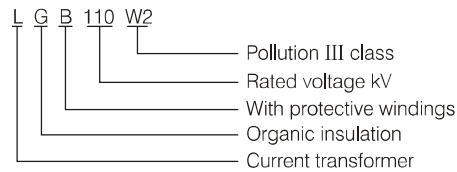
LGB-110W2 Dry type current transformer

1 Applications

LGB-110W2 type current transformer, outdoor used, is intended for power and current measurement and relay protection in AC 110kV, 50Hz power system with effective neutral point.

Applicable standard: IEC60044-1 Current transformer.

2 Type Designation



3 Operation Conditions

- 3.1 Ambient temperature: Max .temperature +40°C; Min. temperature -25°C(-45°C); daily average temperature: not more than 30°C.
- 3.2 Altitude: not more than 1000m.
- 3.3 Air conditions: pollution III class.
- 3.4 Earthquake intensity: 8 degree.
- 3.5 Relative humidity: less than 95% (at 20°C).
- 3.6 Wind velocity: less than 35m/s.

4 Technical Parameters

4.1 Technical parameters of LGB-110W2 dry type current transformer.

Rated current ratio(A)	Combined accuracy classes	Rated output(VA)	External creepage distance(mm)	Rated short-time thermocurrent(kA)	Rated dynamic stability current(kA)(peak)
100	0.2/0.5/10P20/ 10P20	50/50/50/50	3150	15	37.5
200				30	75
300				42	105
600				63	157.5
1000					
1250					

4.2 Rated insulation level: 126/200/480kV

4.3 Weight: 320kg

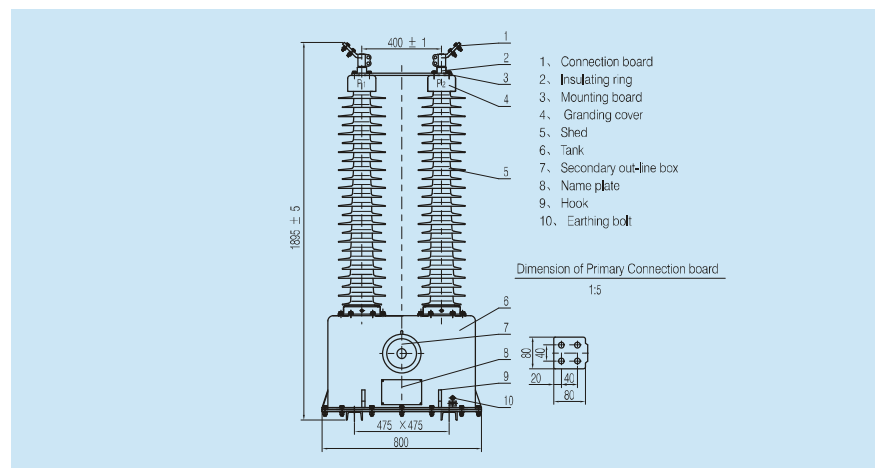
5 Structure and Feature

The product is of upwards standing type structure. It is made up of bank、 silicon rubber sheds and head. The U type primary windings, use red copper and stainless steel tube enclosed by insulation materials as its capacitive insulation structure. The secondary windings have been put in the two side of primary winding. We use silicon rubber sheds as external insulation to increase flashover voltage. Secondary connection plate is cast by epoxy resin. Secondary connection box adopts seal structure to adapt the requirement of outdoor using.

The product has advantages as following:

- 5.1 Little volume, light weight.
- 5.2 With the feature of no oil, no gas, anti-fire, anti-explosion, without maintenance, it is the new type of environment protection electric product.
- 5.3 It use PTFE film-coat with high strength as main insulation.

6 Outline and Mounting Dimensions



7 Information required for order placing

- 7.1 Model
- 7.2 Rated current ratio: A
- 7.3 Accuracy class and rated output: VA
- 7.4 Altitude: m.

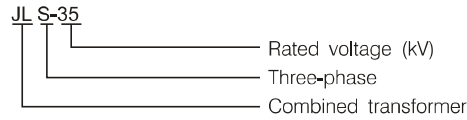
JLS-35 Type power measuring box



1 Applications

JLS-35 type power measuring box outdoor used is suitable for active and reactive power metering in 50Hz, 35kV power system.
Applicable Standard: IEC60044-3 Combined Transformer.

2 Type Designation



3 Operation Conditions

- 3.1 Installation area: outdoor
- 3.2 Ambient temperature: Max. temperature: +40°C; Min. temperature: -25°C(-45°C); daily average temperature: not more than 30°C
- 3.3 Altitude: not more than 2000m
- 3.4 Air conditions: No heavy pollution in air

4 Structure and Feature

The box is of outdoor type, oil-immersed hermetically sealed structure. It is made up of two single-phase voltage transformers and two single-phase current transformers. It uses mineral oil as insulation medium. Winding terminal is leading out through HV and LV porcelain bushing. Both tank and porcelain bushing are filled with mineral oil. The anti-leakage rubber film inside the oil conservator isolates the internal part from atmosphere. Oil level gauge is equipped on oil conservator. Oil drain is on the bottom of the tank. Tank rack is provided with fixing hole. Advantages include high metering accuracy, convenient installation, free maintenance, anti-theft and reliable operation.

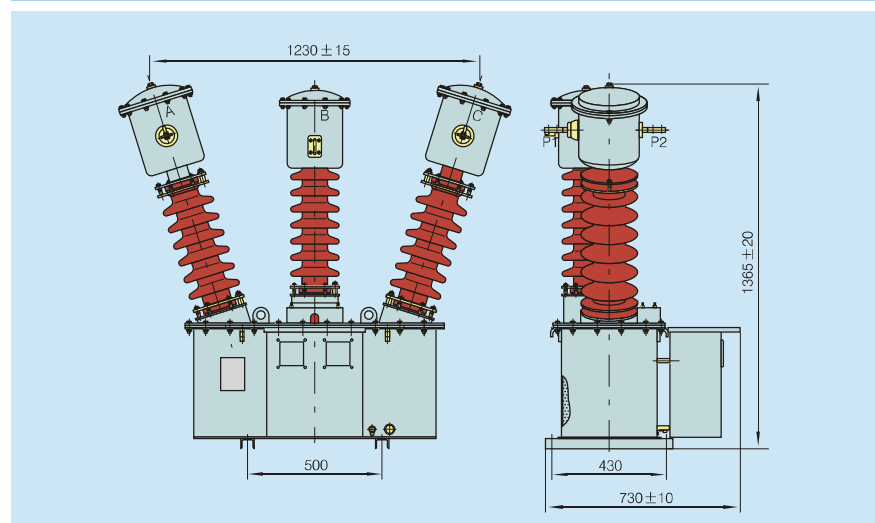
5 Technical Parameters

5.1 Technical parameters of JLS-35 type power metering box

Model	Rated primary voltage (V)	Rated secondary voltage (V)	Rated frequency (Hz)	Rated output of CT (VA)	Rated output of PT (VA)	Accuracy class	Accuracy class	Rated insulation level (kV)
JLS-35	35000	100	50	10	25	0.2s, 0.2, 0.5	0.2, 0.5	40.5/95/200

- 5.2 Rated primary current of CT: 15A, 20A, 30A, 40A, 50A, 75A, 100A, 150A, 200A, 300A
- 5.3 Rated secondary current of CT: 5A
- 5.4 Rated short time thermocurrent: 75I_n
- 5.5 Rated dynamic stability current of CT: 187.5I_n
- 5.6 Pollution class: II
- 5.7 Oil weight/ Total weight: 100/375kg.

6 Outline and Mounting Dimensions



7 Information required for order placing

- 7.1 Model
- 7.2 Rated current ratio: A
- 7.3 Rated voltage ratio: V
- 7.4 Accuracy class
- 7.5 Rated output: VA
- 7.6 Altitude: m



JLS-6、10 Type Combined transformer used outdoor

1 Applications

JLS-6、10 type Combined transformer used outdoor is suitable for active or reactive electric energy measurement in power system with rated frequency 50Hz and rated voltage 6kV and 10kV. Applicable Standard: IEC60044-3 Combined transformer.

2 Type Designation



3 Operation Conditions

- 3.1 Installation area: outdoor
- 3.2 Ambient temperature: Max. temperature: +40℃; Min. temperature: -25℃(-45℃); daily average temperature: not more than 30℃
- 3.3 Altitude: not more than 1000m
- 3.4 Air conditions: No heavy pollution in air

4 Technical Parameters

4.1 Technical parameters of JLS-6、10 Type current transformer.

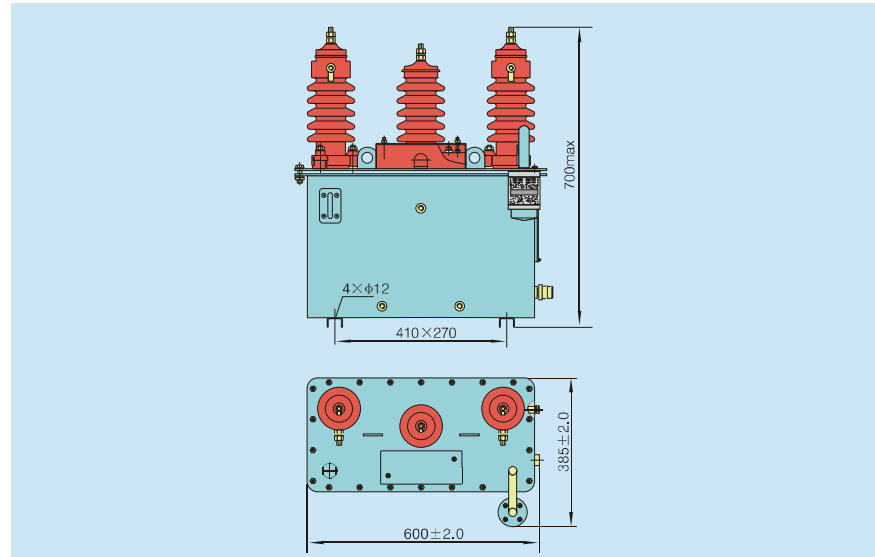
Model	Rated primary voltage (V)	Rated secondary voltage (V)	Rated frequency (Hz)	Rated output of current transformer (VA)	Rated output of voltage transformer (VA)	Accuracy class of current transformer	Accuracy class of voltage transformer	Rated insulation level (kV)
JLS-6	6000	100	50	10	15	0.2s、0.2、0.5	0.2、0.5	7.2/32/60
JLS-10	10000	100	50	10	15	0.2s、0.2、0.5	0.2、0.5	12/42/75

- 4.2 Rated primary current of current transformer: 5A、10A、15A、20A、30A、40A、50A、75A、100A、150A、200A、300A
- 4.3 Rated secondary current of current transformer: 5A or 1A
- 4.4 Rated short-time thermocurrent (kA) of current transformer: 40I_n
- 4.5 Rated dynamic stability current (kA) of current transformer: 100I_n
- 4.6 Pollution class: II
- 4.7 Oil weight / total weight : 20/100kg.

5 Structure and Feature

The series combined transformer consists of two pieces of single-phase voltage transformer and two pieces of single-phase current transformer. It uses transformer oil as insulation medium in oil tank and mounts the primary and secondary out leads on the panel with porcelain. The product has advantage of excellent measurement precision, easily installation, ridding maintenance, anti-theft larceny and operation safely, and so on.

6 Outline and Mounting Dimensions



7 Information required for order placing

- 7.1 Model
- 7.2 Rated current ratio: A
- 7.3 Rated voltage ratio: V
- 7.4 Accuracy class
- 7.5 Rated output: VA
- 7.6 Altitude: m

JLS5-6,10 Type Three-phase Power measuring box



1 Applications

JLS5-6,10 type Three-phase power measuring box is suitable for active or reactive electric measurement in power system with rated frequency 50Hz and rated voltage 6kV and 10kV, outdoor.

Applicable Standard: IEC60044-3 Combined transformer.

2 Type Designation



3 Operation Conditions

- 3.1 Installation area: outdoor
- 3.2 Ambient temperature: Max. temperature: +40°C; Min. temperature: -25°C(-45°C); daily average temperature: not more than 30°C
- 3.3 Altitude: not more than 1000m
- 3.4 Air conditions: No heavy pollution in air

4 Technical Parameters

4.1 Specification: 5/5、10/5、15/5、20/5、30/5、40/5、75/5、100/5、150/5、200/5、300/5A

4.2 Main technical Parameters

4.2.1 Highest voltage: 7.2kV、12kV

4.2.2 Rated voltage: 50Hz

4.2.3 Rated Primary current of current transformer: 5A--300A

4.2.4 Rated Secondary current of current transformer: 5A

4.2.5 Rated output of current transformer: 10VA

4.2.6 Rated output of voltage transformer: 15VA

4.2.7 Accuracy class: 0.5、0.2、0.2s

4.2.8 The times of rated short-time thermocurrent and steady current is 40, 100 respectively.

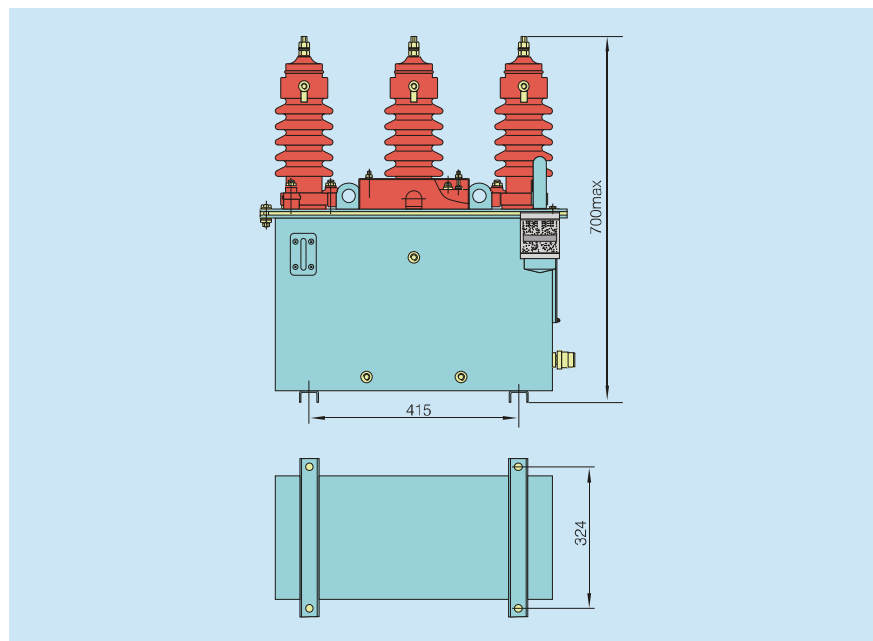
4.2.9 Weight: oil: 28kg

Total weight: 150kg

5 Structure and Feature

The product is made up of combined transformer and kilowatt hour meter. The combined transformer consist of three pieces of single-phase voltage transformer and three pieces of single-phase current transformer. It uses transformer oil as insulation medium in oil tank and mounts the primary and secondary out leads on the panel with porcelain rube. Kilowatt hour meter is installed in the flank of the combined transformer. The product has advantage of excellent measurement precision, light weight easily installation, anti-theft and so on.

6 Outline and Mounting Dimensions



7 Information required for order placing

7.1 Model

7.2 Rated current ratio: A

7.3 Rated voltage ratio: V

7.4 Rated output: VA

7.5 Altitude: m

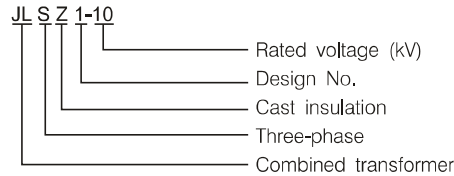


JLSZ1-10 Type outdoor combined transformer

1 Applications

JLSZ1-10 type combined transformer ("transformer" for short hereinafter) is suitable for active and reactive power metering in 50Hz, 10kV power system. Outdoor use.
Applicable Standard: IEC60044-3 Combined Transformer.

2 Type Designation



3 Operation Conditions

- 3.1 Installation area: outdoor
- 3.2 Ambient temperature: Max. temperature: +40°C; Min. temperature: -25°C;
daily average temperature: not more than 30°C
- 3.3 Altitude: not more than 1000m
- 3.4 Air conditions: No heavy pollution in air

4 Technical Parameters

4.1 Technical parameters of JLSZ1-10 combined transformer

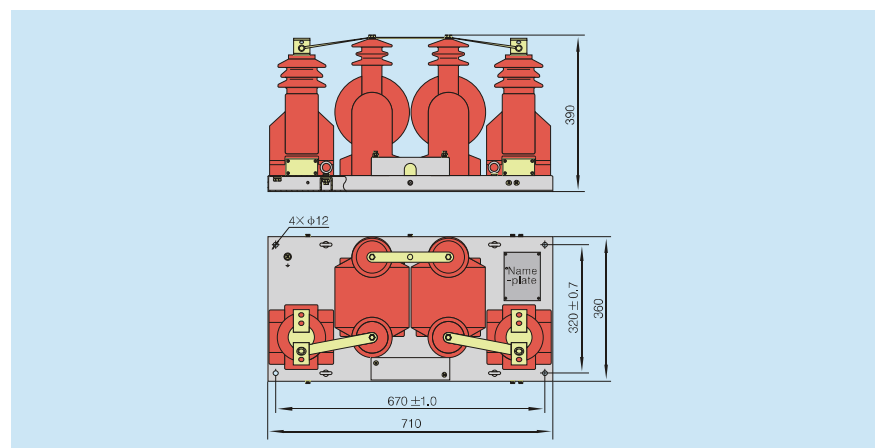
Model	Rated primary voltage (V)	Rated secondary voltage (V)	Rated frequency (Hz)	Rated output of CT (VA)	Rated output of PT (VA)	Accuracy class	Accuracy class	Rated insulation level (kV)
JLSZ1-10	10000	100	50	10	15	0.2s, 0.2, 0.5	0.2, 0.5	12/42/75

- 4.2 Rated primary current of CT: 5A, 10A, 15A, 20A, 30A, 40A, 50A, 75A, 100A, 150A, 200A, 300A
- 4.3 Rated secondary current of CT: 5A
- 4.4 Rated short time thermocurrent: 40I_n
- 4.5 Rated dynamic stability current of CT: 100I_n
- 4.6 Pollution class: II
- 4.7 Weight: 98kg

5 Structure and Feature

The transformer is made up of two single-phase voltage transformers and two single-phase current transformers. Both PT and CT adopt outdoor type epoxy resin with excellent insulation performance as insulation medium. Secondary connection terminal is led out through terminal box. Its advantages include convenient installation, free main-tenance, anti-theft, reliable operation and anti-overvoltage impulse.

6 Outline and Mounting Dimensions





7 Information required for order placing

- 7.1 Model
- 7.2 Rated current ratio: A
- 7.3 Rated voltage ratio: V
- 7.4 Accuracy class
- 7.5 Rated output: VA
- 7.6 Altitude: m

JLSZ5-10 Type Combined transformer

1 Applications

JLSZ5-10 Type Combined transformer is suitable for active or reactive electric energy measurement in power system with rated frequency 50Hz and rated voltage 10kV, outdoor.
Applicable Standard: IEC60044-3 Combined transformer.

2 Type Designation



3 Operation Conditions

- 3.1 Installation area: outdoor
- 3.2 Ambient temperature: Max. temperature: +40°C; Min. temperature: -25°C;
daily average temperature: not more than 30°C
- 3.3 Altitude: not more than 1000m
- 3.4 Air conditions: No heavy pollution in air

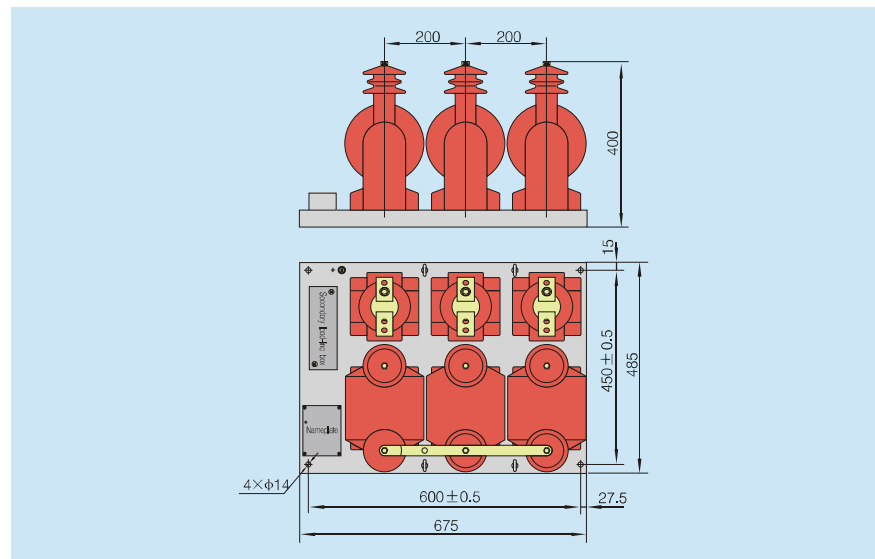
4 Technical Parameters

- 4.1 Highest voltage: 12kV
- 4.2 Specification: 5/5、10/5、15/5、20/5、30/5、40/5、50/5、75/5、100/5、150/5、200/5、300/5A
- 4.3 Rated Primary current of current transformer: 5A
- 4.4 Rated output of current transformer: 10VA
- 4.5 Rated short-time thermocurrent (kA) of current transformer: 40I_n
- 4.6 Rated dynamic stability currnt (kA) of current transformer: 100I_n
- 4.7 Rated primary voltage of voltage transformer: 10000/√3V
- 4.8 Rated secondary voltage of voltage transformer: 100/√3V
- 4.9 Rated output of voltage transformer: 15VA
- 4.10 Rated insulation level: 12/42/75kV
- 4.11 Accuracy class: 0.5、0.2
- 4.12 Weight: 140kg

5 Structure and Feature

The combined transformer consists of three pieces of single-phase voltage transformer and three pieces of single-phase current transformer. It uses epoxy resin outdoor as insulating medium, with excellent insulation. Secondary connection terminal is led out through connection box. The product has advantage of easily installation, ridding maintenance, anti-theft, safe operation and anti-high current.

6 Outline and Mounting Dimensions



7 Information required for order placing

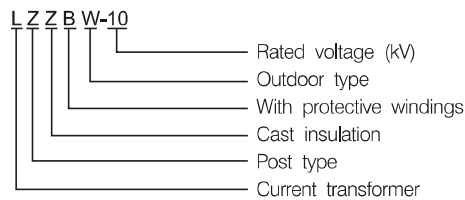
- 7.1 Model
- 7.2 Rated current ratio: A
- 7.3 Rated voltage ratio: V
- 7.4 Accuracy class
- 7.5 Rated output: VA
- 7.6 Altitude: m

LZZBW-10 Outdoor type current transformer

1 Applications

LZZBW-10 type current transformer is intended for power measurement, current monitoring and relay protection in power system with rated frequency 50Hz or 60Hz and rated voltage 10kV.
Applicable Standard: IEC60044-1 Current transformer.

2 Type Designation



3 Operation Conditions

- 3.1 Installation area: outdoor
- 3.2 Ambient temperature: Max. temperature: +40°C; Min. temperature: -25°C; daily average temperature: not more than 30°C
- 3.3 Altitude: not more than 1000m
- 3.4 Air conditions: No heavy pollution in air



4 Technical Parameters

4.1 Technical parameters of LZBWB-10 type current transformer

Model	Rated primary current (A)	Combined accuracy classes	Rated output (VA)	Rated Short-time Thermocurrent (kA) (r.m.s)	Rated Dynamic Stability Current (kA) (Peak)
LZBWB-10	50	0,2/10P15 0.5/10P15	10/15 15/15	90I _n	225I _n
	75				
	100				
	150				
	200				
	300				
	400				
	500				
	600				
	800				
1000	24.5	61.25			
			32	80	
			50	125	

4.2 Rated secondary current: 5A or 1A

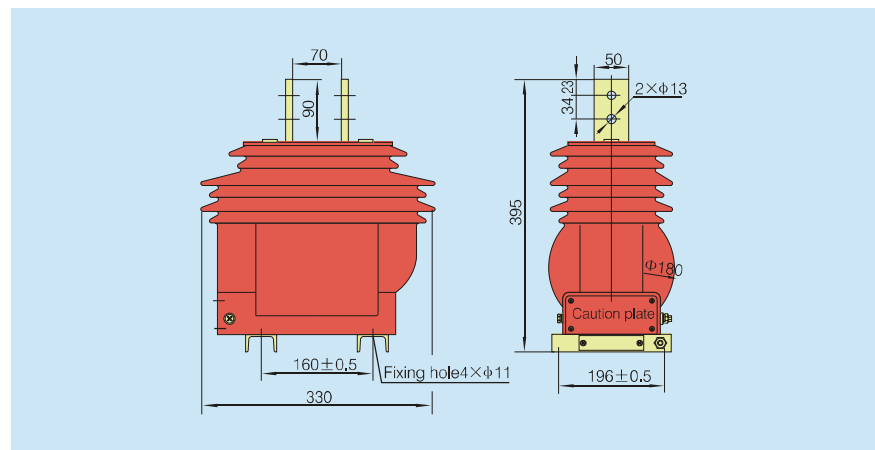
4.3 Insulation level: 12/42/75kV

4.4 Weight: 26kg

5 Structure and Feature

The transformer is of epoxy resin, hermetically sealed structure with excellent insulated performance and anti-damp capacity. Outdoor used , it has unique outline and light weight. Its easy to clean its surface. Four holes at the bottom of the CT are suitable for mounting. (There is a connection box in the secondary connection area)

6 Outline and Mounting Dimensions



7 Information required for order placing

Information required for order placing:

7.1 Model

7.2 Rated current ratio: A

7.3 Accuracy class and rated output: VA

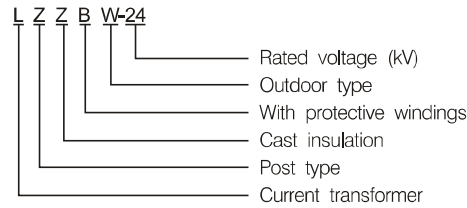
7.4 Altitude: m

LZZBW-24 Type voltage transformer

1 Applications

LZZBW-24 type current transformer (CT for short hereinafter) is suitable for power metering and protection in power system with rated frequency 50Hz and rated voltage 24kV.
 Applicable Standard: IEC60044-1 Current transformer.

2 Type Designation



3 Operation Conditions

- 3.1 Installation area: outdoor
- 3.2 Ambient temperature: Max. temperature: +40°C; Min. temperature: -25°C);
daily average temperature: not more than 30°C
- 3.3 Altitude: not more than 1500m
- 3.4 Air conditions: No heavy pollution in air

4 Technical Parameters

4.1 4.1 Technical parameters of LZZBW-24 type current transformer.

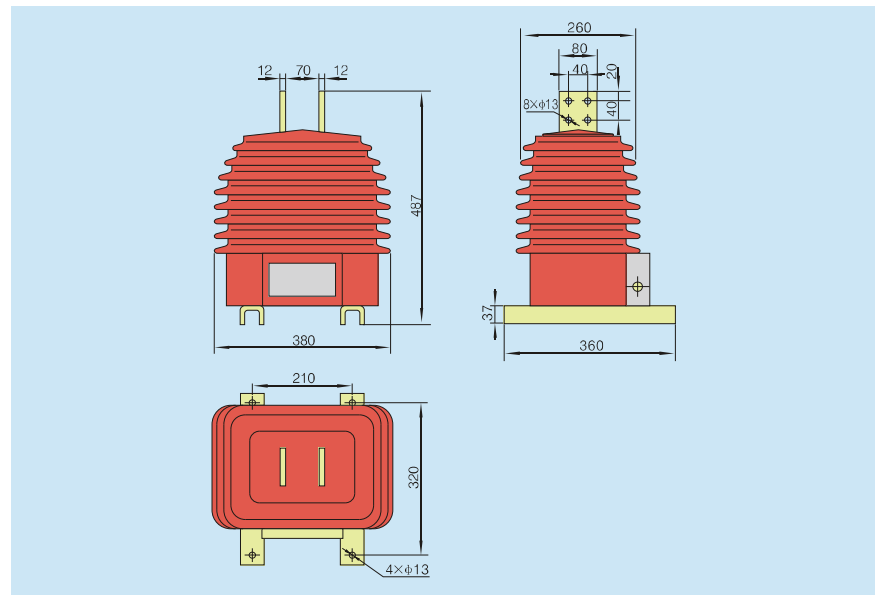
Model	Rated primary current (A)	Rated secondary current (A)	Rated output under the Relevant accuracy class (VA)		Rated short-time thermocurrent (kA) (r.m.s)	Rated dynamic stability current (kA) (Peak)
			0.5/10P15	0.2S/10P15		
LZZBW-24	50	5 or 1	20/25	15/25	6	15
	75				9	22,5
	100				12	30
	150				18	45
	200				24	60
	300				36	80
	400			15/30	50	80
	500				50	80
	600				50	80
	800				50	80
	1000				63	130
	1200				63	130
	1500				63	130

- 4.2 Rated Secondary current: 5A or 1A
- 4.3 Insulation level: 24/65/125kV
- 4.4 Weight: 59kg

5 Structure and Feature

The series CT is of post outdoor type. It's hermetically sealed design of epoxy resin with excellent ability of insulation and anti-damp. Except compact structure, it is small in size, light in weight and easy to be cleaned. Primary terminal P1 and P2 are led out from the top of the product. Secondary outlet terminal is out from wiring terminal box underside of the CT.

6 Outline and Mounting Dimensions



7 Information required for order placing

- 7.1 Model
- 7.2 Rated current ratio: A
- 7.3 Accuracy class and rated output: VA
- 7.4 Altitude: m

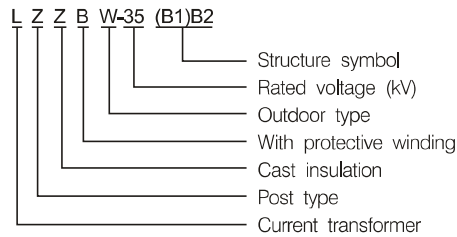
LZZBW-35 (B1)B2 Type current transformer



1 Applications

LZZBW-35(B1)B2 type current transformer (CT for short hereinafter) is suitable for power metering and protection in power system with rated frequency 50Hz and rated voltage 35kV.
Applicable Standard: IEC60044-1 Current transformer.

2 Type Designation



3 Operation Conditions

- 3.1 Installation area: outdoor
- 3.2 Ambient temperature: Max. temperature: +40°C; Min. temperature: -25°C;
daily average temperature: not more than 30°C
- 3.3 Altitude: not more than 2500m
- 3.4 Air conditions: No heavy pollution in air

4 Technical Parameters

4.1 Table1 for Rated values of transformer

Model	Rated primary current (A)	Rated secondary current (A)	Rated output under the relevant accuracy class (VA)		Rated short-time thermo current (kA) (r.m.s)	Rated dynamic stability current (kA) (Peak)	
			0.2S/0.5/5P10				
LZZBW-35B1	50	5 or 1	15/20/40		6	15	
	75				9	22.5	
	100				12	30	
	150				18	45	
	200				24	60	
	300				30	90	
	400				45	112.5	
	500				45	112.5	
	600				63	130	
	800				63	130	
	1000				80	160	
	1200				80	160	
	1500				30/50/50	100	160
	2000					100	160
	2500					100	160

Model	Rated primary current (A)	Rated secondary current (A)	Rated output under the relevant accuracy class (VA)		Rated short-time thermo current (kA) (r.m.s)	Rated dynamic stability current (kA) (Peak)		
			0.2S/0.5/10P10/10P10	0.2S/0.5/5P20				
LZZBW-35B2	50	5 or 1	15/20/30/40	15/20/40	6	15		
	75				9	22.5		
	100				12	30		
	150				18	45		
	200				24	60		
	300				30	90		
	400				45	112.5		
	500				45	112.5		
	600				63	130		
	800				63	130		
	1000				80	160		
	1200				80	160		
	1500				30/50/50/50	30/50/50	100	160
	2000						100	160
	2500						100	160

4.2 Rated Secondary current: 5A or 1A

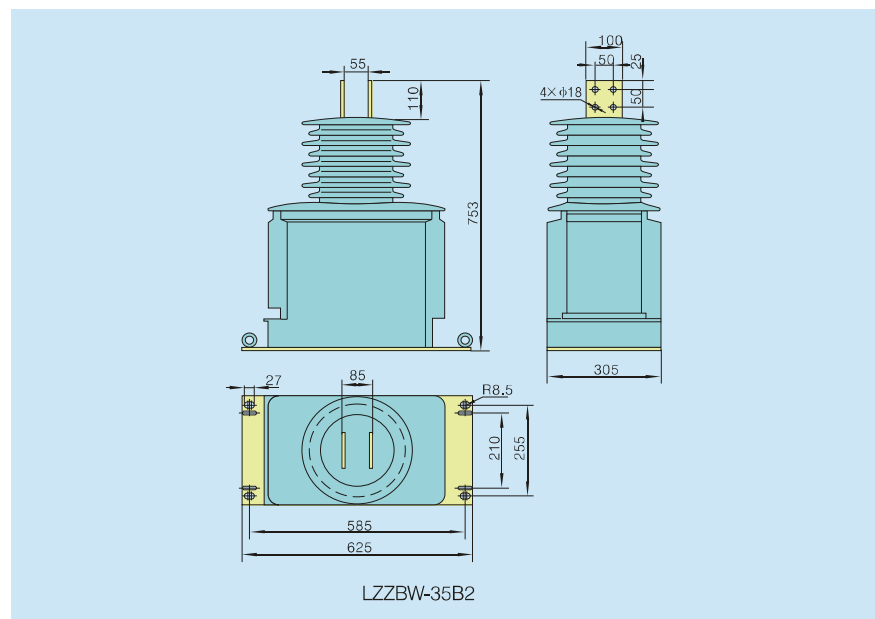
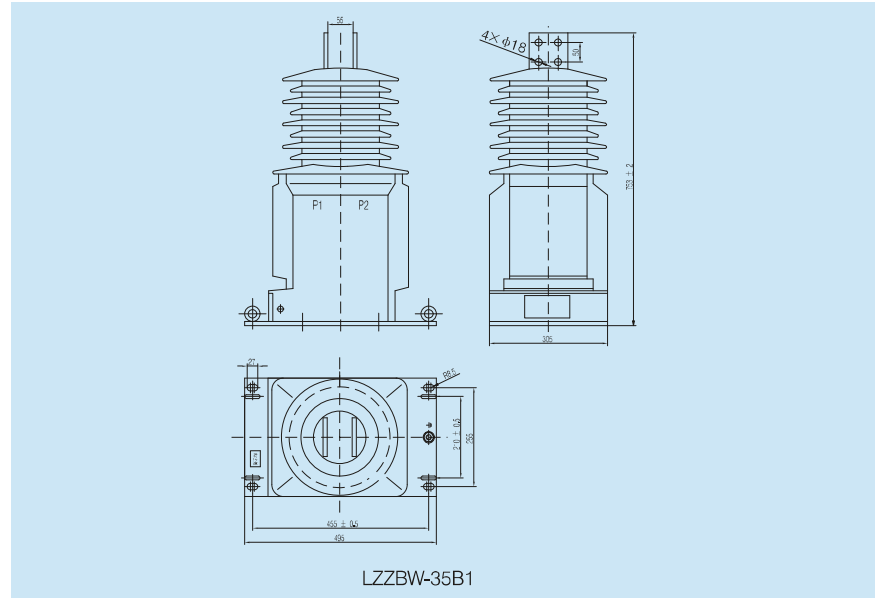
4.3 Insulation level: 40.5/95/185kV

4.4 Weight: 144kg (LZZBW-35B2)

5 Structure and Feature

The series CT is of post outdoor type. Its hermetically sealed design of epoxy resin with excellent ability of insulation and anti-damp. Except compact structure, it can be mixed with 3-4 secondary winds and has features of good performance and high parameters. Primary terminal P1 and P2 are led out from the top of the product. Secondary outlet terminal is out from wiring terminal box underside of the CT.

6 Outline and Mounting Dimensions



7 Information required for order placing

Information required for order placing:

- 7.1 Model
- 7.2 Rated current ratio: A
- 7.3 Accuracy class and rated output: VA
- 7.4 Altitude: m



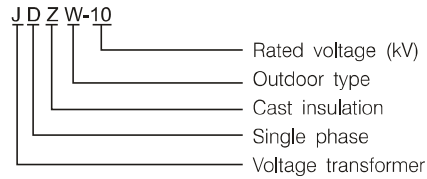
JDZW-10 Outdoor type voltage transformer

1 Applications

JDZW-10 type voltage transformer, outdoor used, is excellent suitable for power metering, voltage monitoring and relay protection in power system with rated frequency 50Hz or 60Hz and rated voltage 10kV. Outdoor use.

Applicable Standard: IEC60044-2 Voltage transformer.

2 Tepy Designation



3 Technical Parameters

3.1 Technical parameters of JDZW-10 type voltage transformer

Model	Rated primary voltage (V)	Rated secondary voltage (V)	Rated output (VA)		Ultimate output (VA)	Rated insulation level (kV)
			Class 0.2	Class 0.5		
JDZW-10	10000	100	30	80	400	12/42/75

Note: Rated output is only matched to one of the relevant accuracy class.

3.2 Pollution class: II

3.3 Weight: 28kg

4 Operation Conditions

4.1 Installation area: outdoor

4.2 Ambient temperature: Max. temperature: +40°C; Min. temperature: -25°C;
daily average temperature: not more than 30°C

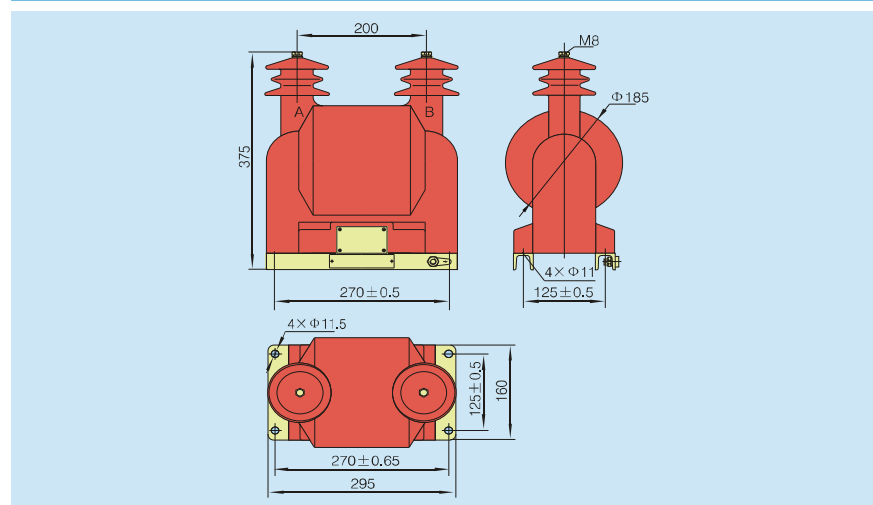
4.3 Altitude: not more than 1000m

4.4 Air conditions: No heavy pollution in air

5 Structure and Feature

The PT product is outdoor type, hermetically sealed structure with epoxy resin. The design endows PT excellent insulative performance and damp-proof capacity. Advantages include compact structure, small volume, light weight and easy to clean surface. Secondary wiring point is equipped with terminal box. Four holes on the bottom of the PT are suitable for mounting.

6 Outline and Mounting Dimensions



7 Information required for order placing

- 7.1 Model
- 7.2 Rated current ratio: A
- 7.3 Accuracy class and rated output: VA
- 7.4 Altitude: m



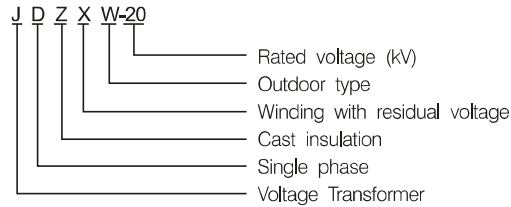
JDZXW-20 Type voltage transformer

1 Applications

JDZXW-20 type voltage transformer (PT for short hereinafter) is suitable for power metering, voltage monitoring and relay protection in power system with rated frequency 50Hz or 60Hz and rated voltage 10kV.

Applicable Standard: IEC60044-2 Voltage Transformer.

2 Tepy Designation



3 Operation Conditions

- 3.1 Installation area: outdoor
- 3.2 Ambient temperature: Max. temperature: +40℃; Min. temperature: -25℃; daily average temperature: not more than 30℃
- 3.3 Altitude: not more than 1000m
- 3.4 Air conditions: No heavy pollution in air

4 Technical Parameters

4.1 Table1 for Rated values of JDZXW-20 type voltage transformer.

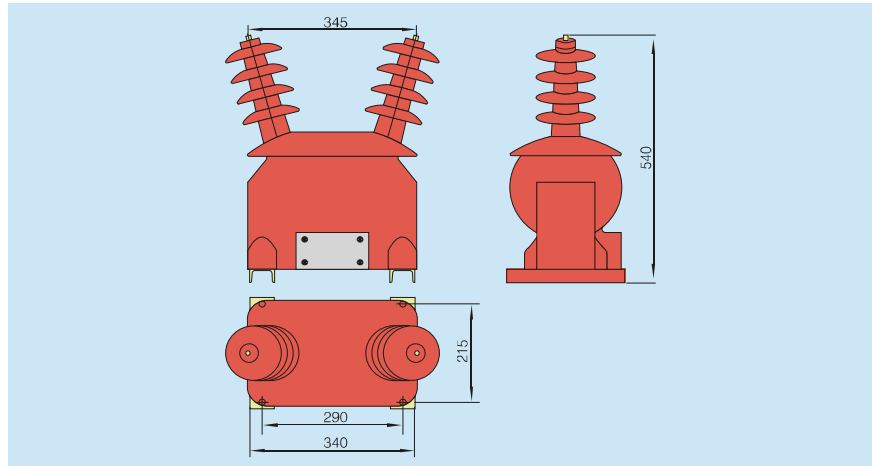
Model	Rated primary voltage (V)	Rated secondary voltage (V)	Rated output (VA)			Ultimate output (VA)	Rated insulation level (kV)	Rated power factor
			Class 0.2	Class 0.5	Class 6P			
JDZXW-20	20000/√3	100/√3/100/3	20	50	100	500	24/65/125	1.9

4.2 Insulation level: 24/65/125kV

5 Structure and Feature

The series PT is of post type. Its hermetically sealed design of epoxy resin with advantages of anti-pollution, anti-damp, is also suitable for tropic area and free from special maintenance except periodically surface clean. Owing to the hermetically sealed design of epoxy resin, the product has advantages of small size light weight and so on. And it also can be installed anyway and anywhere.

6 Outline and Mounting Dimensions



7 Information required for order placing

- 7.1 Model
- 7.2 Rated current ratio: A
- 7.3 Accuracy class and rated output: VA
- 7.4 Altitude: m

JDZXW-35 Type voltage transformer

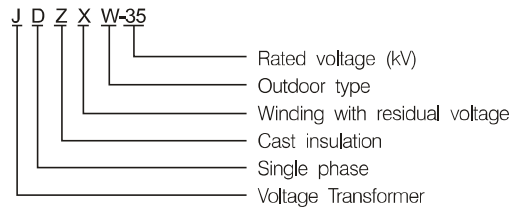


1 Applications

JDZXW-35 type voltage transformer (PT for short hereinafter) is suitable for power metering, voltage monitoring and relay protection in power system with rated frequency 50Hz or 60Hz and rated voltage 35kV.

Applicable Standard: IEC60044-2 Voltage Transformer.

2 Type Designation



3 Operation Conditions

- 3.1 Installation area: outdoor
- 3.2 Ambient temperature: Max. temperature: +40°C; Min. temperature: -25°C; daily average temperature: not more than 30°C
- 3.3 Altitude: not more than 1000m
- 3.4 Air conditions: No heavy pollution in air

4 Technical Parameters

4.1 Technical parameters of JDZXW-35 type current transformer

Model	Rated primary voltage (V)	Rated secondary voltage (V)	Rated output (VA)			Ultimate output (VA)	Rated insulation level (kV)	Rated power factor
			Class 0,2	Class 0,5	Class 6P			
JDZXW-35	$35000/\sqrt{3}$	$100/\sqrt{3}/100/3$	20	60	100	800	40,5/95/200	1,9

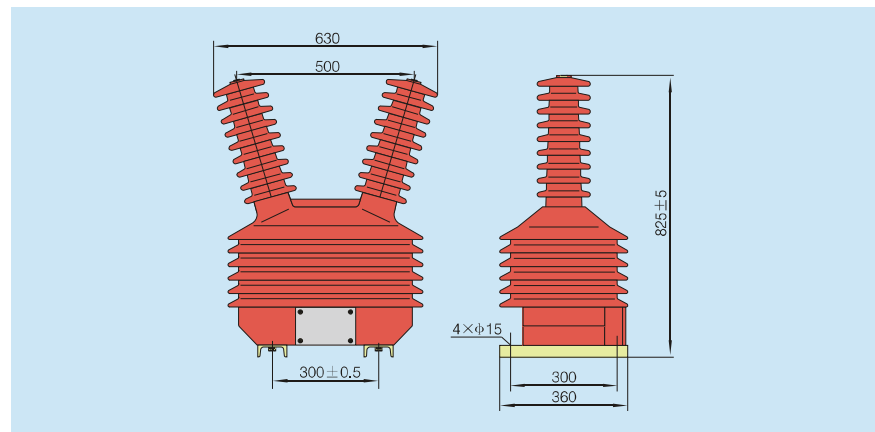
4.2 Insulation level: 40,5/95/200kV

4.3 Weight: 142kg

5 Structure and Feature

The series PT is of post type. Its hermetically sealed design of epoxy resin with advantages of anti-pollution, anti-damp, is also suitable for tropic area and free from special maintenance except periodically surface clean. Owing to the hermetically sealed design of epoxy resin, the product has advantages of small size light weight and so on. And it also can be installed anyway and anywhere.

6 Outline and Mounting Dimensions



7 Information required for order placing

7.1 Model

7.2 Rated current ratio: A

7.3 Accuracy class and rated output: VA

7.4 Altitude: m



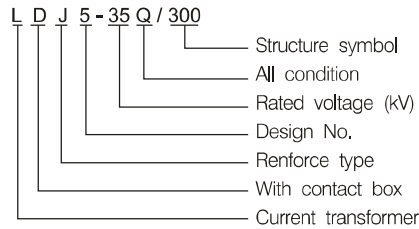
LDJ5-35Q/300 Current Transformer

1 Applications

LDJ5-35Q/300 type current transformer, outdoor used, is intended for electric measurement and protection in power system with rated voltage 35kV and rated frequency 50Hz.

Applicable standard: IEC60044-1 Current transformer .

2 Type Designation



3 Operation Conditions

3.1 Ambient temperature:

Max .temperature +40°C; Min. temperature -5°C; daily average temperature: not more than 30°C.

3.2 Altitude: not more than 1000m.

3.3 Air conditions: No contamination or corrosive and volatile medium in air.

4 Technical Parameters

4.1 Technical parameters of LDJ5-35Q/300 current transformer.

Model	Rated primary current ratio A	Rated secondary current ratio A	Rated output under the relevant accuracy class (VA)				Rated short-time thermocurrent (kA)(r.m.s)	Rated dynamic stability current (kA)(peak)
			0.2/10P10	0.5/10P10	0.2/0.5	10P10/10P10		
LDJ5-35Q/300	30	5 or 1	10/30	20/30	10/20	20/20	3	7.5
	40		10/30	20/30	10/20	20/20	4	10
	50		10/30	20/30	10/20	20/20	7.5	18.75
	75		10/30	20/30	10/20	20/20	11.25	28
	100		10/30	20/30	10/20	20/20	15	37.5
	150		10/30	20/30	10/20	20/20	22.5	56.25
	200		10/30	20/30	10/20	20/20	30	75
	300		10/30	20/30	10/20	20/20	45	100
	400		10/40	15/40	10/15	20/20	63	130
	500		10/40	15/40	10/15	25/25	63	130
	600		10/50	30/50	10/30	30/30	63	130
	800		15/50	30/50	15/30	30/30	63	130
	1000		20/50	50/50	20/50	40/40	80	130
	1250		20/50	50/50	20/50	40/40	80	130
	1500		30/50	50/50	30/50	50/50	80	130
2000	30/50	50/50	30/50	50/50	80	130		

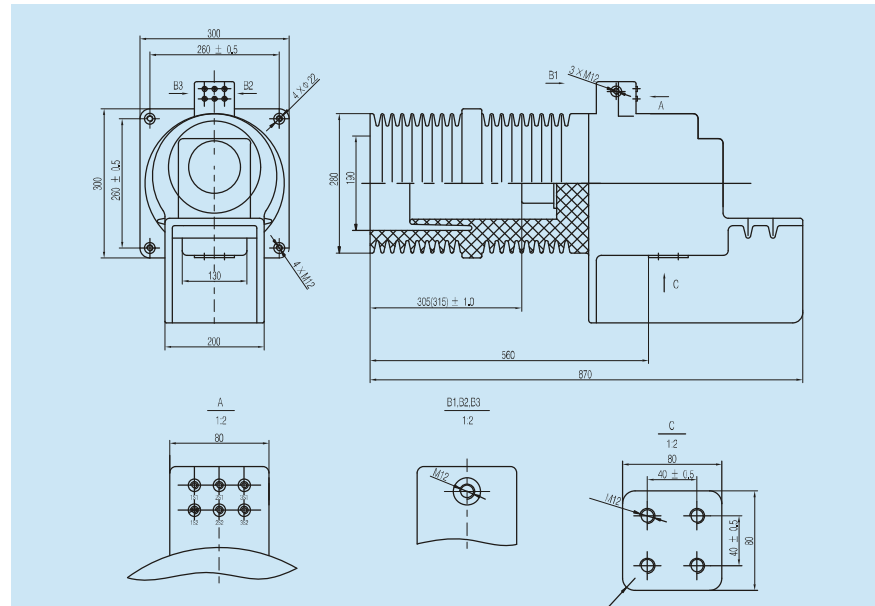
4.2 Rated secondary current: 5A or 1A.

4.3 Rated insulation level: 40.5/95/200kV.

5 Structure and Feature

The transformer is hermetically sealed design of epoxy resin with contact. It has excellent insulation and anti-damp capacity. The product also has clear profile, nice outline and easily to be cleaned.

6 Outline and Mounting Dimensions



7 Information required for order placing

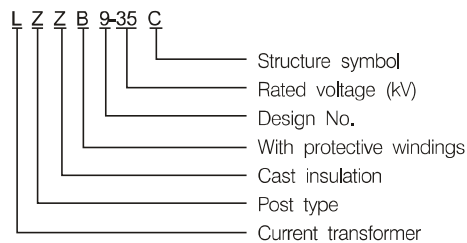
- 7.1 Model
- 7.2 Rated current ratio: A
- 7.3 Accuracy class and rated output: VA
- 7.4 Altitude: m.

LZZB9-35C Type current transformer

1 Applications

LZZB9-35C type current transformer (CT for short hereinafter) is suitable for electric measurement and protection in power system with rated frequency 50Hz and rated voltage 35kV.
Applicable Standard: IEC60044-1 Current transformer.

2 Type Designation



3 Operation Conditions

- 3.1 Installation area: indoor
- 3.2 Ambient temperature: Max. temperature: +40°C; Min. temperature: -5°C;
daily average temperature: not more than 30°C
- 3.3 Altitude: not more than 1000m
- 3.4 Air conditions: No heavy pollution in air



4 Technical Parameters

4.1 Technical parameters of LZB9-35C type current transformer

Model	Rated primary current (A)	Rated secondary current (A)	Combined accuracy classes	Rated output (VA)			Rated short-time Thermocurrent (kA) (Effective Value)	Rated dynamic stability curernt (kA) (Peak)
				Class 0,2	Class 0,5	10P10		
LZB9-35C	30	5	0,2/0,5 0,2/10P10 0,5/10P10	10	15	15	100I _n	250I _n
	40							
	50							
	75							
	100							
	150							
	200							
	300			31,5/3s	80			
	400							
	500							
	600			31,5/4s	80			
	800							
	1000							
	1200							
	1250							
1500	15	25	30					
1600								
2000								
							40	

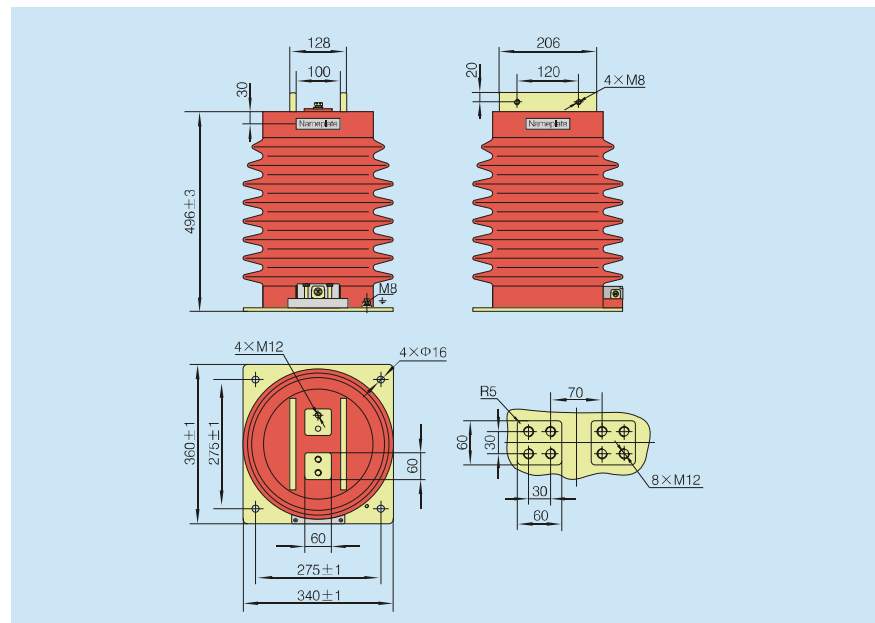
4.2 Insulation level: 40,5/95/185kV

4.3 Weight: 64kg.

5 Structure and Feature

Current transformer have the whole-sealed structure With epoxy resin as its main insulation .Its core adopts the crystallitic alloy or excellent silicon steel sheets to enwind becoming annular, then secondary leads are enwinded on it evenly. Primary conducts are winded by insulation belt to avoid short circuit between conducts. There are earth bolts and holes suitable for mounting on the bottom of the product suitable for mounting.

6 Outline and Mounting Dimensions



7 Information required for order placing

- 7.1 Model
- 7.2 Rated current ratio: A
- 7.3 Accuracy class and rated output: VA
- 7.4 Altitude: m

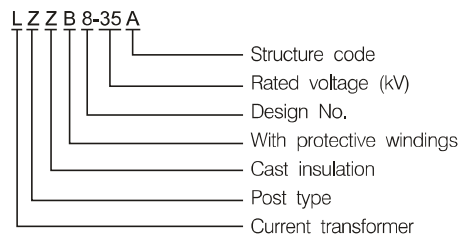


LZZB8-35A Type current transformer

1 Applications

LZZB8-35A type current transformer is intended for power measurement, current monitoring and relay protection in power system with rated frequency 50Hz or 60Hz and rated voltage 35kV. Applicable Standard: IEC60044-1 Current transformer.

2 Type Designation



3 Operation Conditions

- 3.1 Installation area: indoor
- 3.2 Ambient temperature: Max. temperature: +40°C; Min. temperature: -5°C; daily average temperature: not more than 30°C
- 3.3 Altitude: not more than 2000m
- 3.4 Air conditions: No heavy pollution in air

4 Technical Parameters

4.1 Technical parameters of LZZB8-35A type current transformer

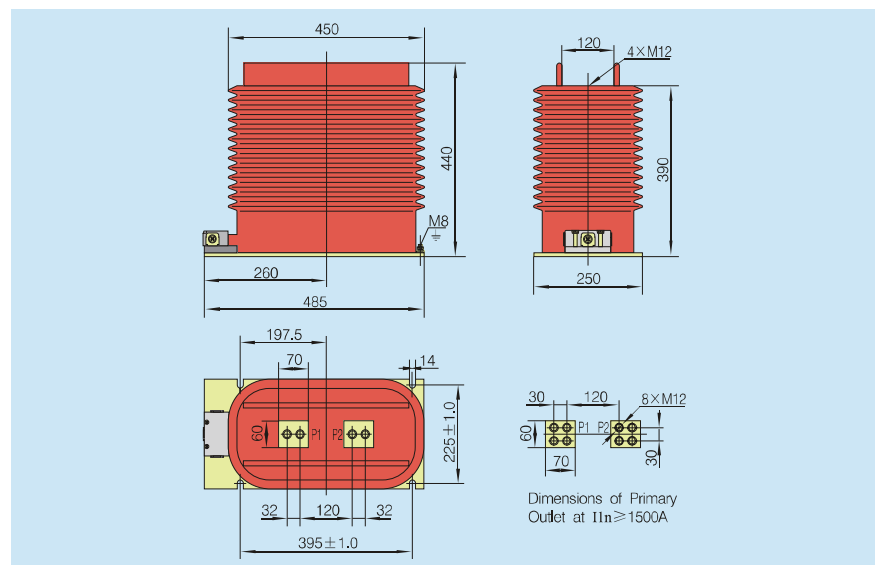
Model	Rated Primary Current (A)	Combined accuracy classes	Rated output (VA)	Rated short-time thermocurrent (kA) (r.m.s)	Rated dynamic stability current (kA) (Peak)
LZZB8-35A	50	0,2/5P10/5P20	15/20/20	5	12,5
	75			7,5	18,75
	100			10	25
	150			15	37,5
	200	0,5/5P10/5P20	20/20/20	20	50
	300			31,5/2s	80
	400	0,2/10P10/5P20	20/30/30	31,5/3s	80
	500				
	600				
	800				
	1000	0,5/10P10/5P20	30/30/30	31,5/4s	130
	1200				
	1500				
	2000				

- 4.2 Rated secondary current: 5A or 1A
- 4.3 Insulation level: 40,5/95/185kV
- 4.4 Weight: 81kg.

5 Structure and Feature

The transformer is of epoxy resin, hermetically sealed structure with excellent insulative performance and anti-damp capacity. It has unique outline and easily-cleaned surface. There are four fixing holes, earth bolts and a nameplate at the bottom of plate.

6 Outline and Mounting Dimensions



7 Information required for order placing

- 7.1 Model
- 7.2 Rated current ratio: A
- 7.3 Accuracy class and rated output: VA
- 7.4 Altitude: m

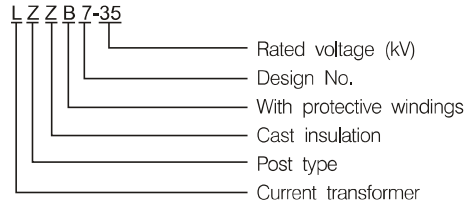


LZZB7-35 Type current transformer

1 Applications

LZZB7-35 type current transformer is intended for power measurement, current monitoring and relay protection in power system with rated frequency 50Hz or 60Hz and rated voltage 35kV.
Applicable Standard: IEC60044-1 Current transformer.

2 Type Designation



3 Operation Conditions

- 3.1 Installation area: indoor
- 3.2 Ambient temperature: Max. temperature: +40°C; Min. temperature: -5°C;
daily average temperature: not more than 30°C
- 3.3 Altitude: not more than 1500m
- 3.4 Air conditions: No heavy pollution in air

4 Technical Parameters

4.1 Technical parameters of LZZB7-35 type current transformer

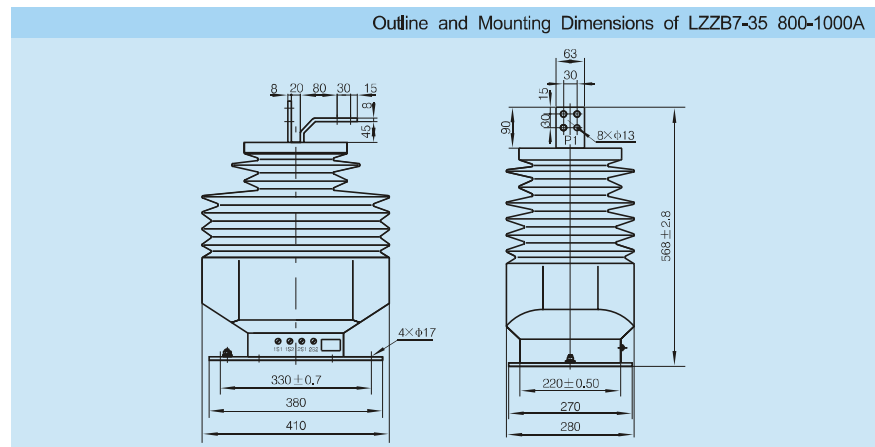
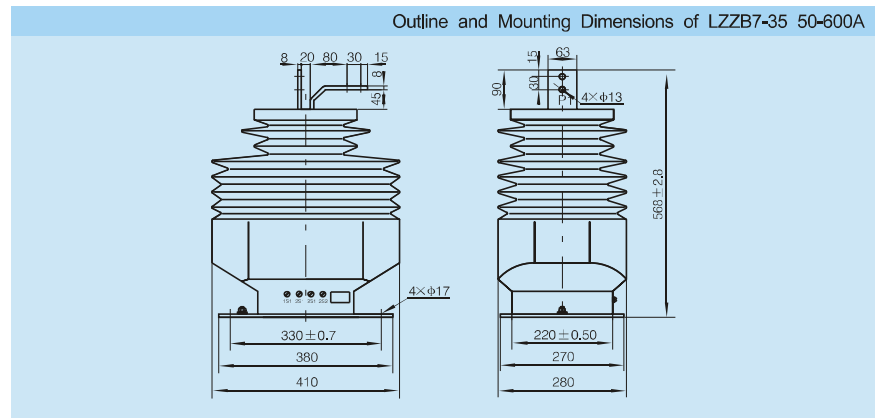
Model	Rated primary current (A)	Accuracy class	Rated output (VA)	Rated Short-time Thermocurrent (kA)	Rated Dynamic Stability Current (kA) (Peak)
LZZB7-35	50	0.2/10P10	15/30	8	20
	75			12	30
	100			16	40
	150			20	50
	200				
	300				
	400	0.5/10P10	30/30	31.5	80
	500				
	600				
	750				
	800	40	100		
	1000				

- 4.2 Rated secondary current: 5A or 1A
- 4.3 Insulation level: 40.5/95/185kV
- 4.4 Weight: 81kg.

5 Structure and Feature

The transformer is of epoxy resin, hermetically sealed structure with excellent insulative performance and anti-damp capacity. It has unique outline and easily-cleaned surface to surface clean. There are four fixing holes, earth bolts and nameplate on the bottom plate.

6 Outline and Mounting Dimensions



7 Information required for order placing

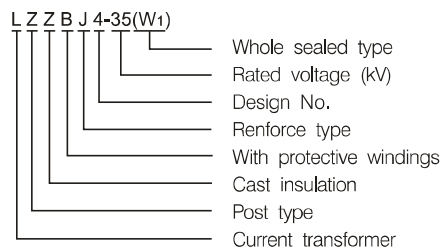
- 7.1 Model
- 7.2 Rated current ratio: A
- 7.3 Accuracy class and rated output: VA
- 7.4 Altitude: m

LZZBJ4-35(W1) Type current transformer

1 Applications

LZZBJ4-35 (W1) type current transformer, outdoor used , is intended for electric measurement and protection in power system with rated voltage 35Kv and rated frequency 50Hz.
 Applicable standard: IEC60044-1 Current transformer.

2 Type Designation



3 Operation Conditions

3.1 Ambient temperature:

Max .temperature 40°C; Min. Temperature -5°C; daily average temperature: not more than 30°C.

3.2 Altitude: not more than 1000m.

3.3 Air conditions: No contamination or corrosive and volatile medium in air.

4 Technical Parameters

4.1 Technical parameters of LZZBJ4-35(W1) current transformer.

Model	Rated primary current ratio(A)	Rated secondary current ratio (A)	Rated output under the relevant accuracy class (VA)				Rated short-time thermocurrent(kA/s) (r.m.s)	Rated dynamic stability current (kA) (Peak)
			0.2S(0.2)	0.5S(0.5)	10P10	10P15		
LZZBJ4-35 (W1)	20-200	5	15	25	50	30	20	100I _n
	300-400							31.5
	600-800	50						
	1000-1250	63						
	1500-1600	1						80

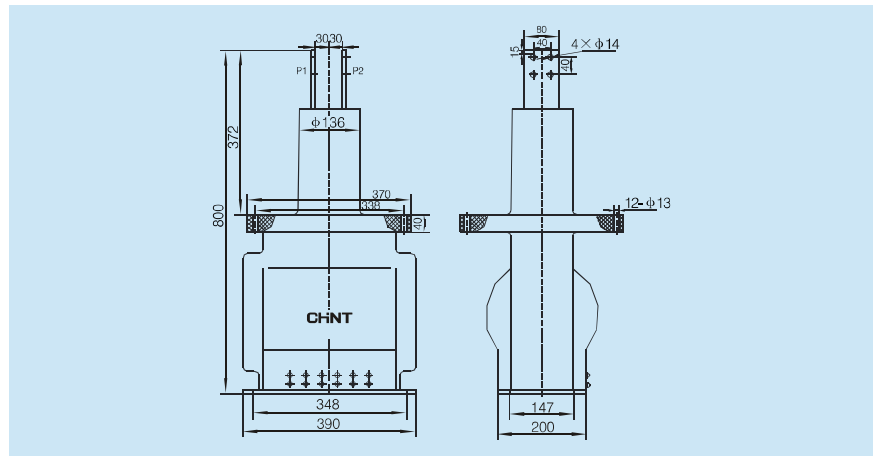
4.2 Rated secondary current : 5A or 1A.

4.3 Rated insulation level:40.5/95/200kV.

5 Structure and Feature

The transformer is hermetically sealed design of epoxy resin with contact. It has excellent insulation and anti-damp capacity. The product also has clear profile, nice outline and easily to be cleaned.

6 Outline and Mounting Dimensions



7 Information required for order placing

7.1 Model

7.2 Rated current ratio: A

7.3 Accuracy class and rated output: VA

7.4 Altitude: m



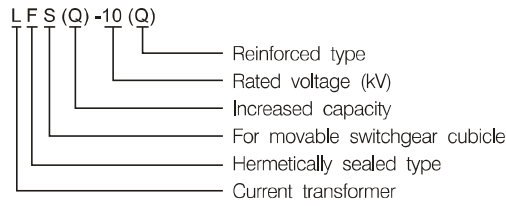
LFS-10、LFSQ-10Q Type current transformer

1 Applications

LFS-10、LFSQ-10Q type current transformer is intended for power measurement, current monitoring and relay protection in power system with rated frequency 50Hz or 60Hz and rated voltage 10kV.

Applicable Standard: IEC60044-1 Current transformer.

2 Type Designation



3 Operation Conditions

- 3.1 Installation area: indoor
- 3.2 Ambient temperature: Max. temperature: +40°C; Min. temperature: -5°C;
daily average temperature: not more than 30°C
- 3.3 Altitude: not more than 1000m
- 3.4 Air conditions: No heavy pollution in air

4 Technical Parameters

4.1 Technical parameters of LFS-10 type current transformer.

Model	Rated primary current (A)	Combined accuracy classes	Rated output (VA)	Rated short-time thermocurrent (r.m.s) (kA)	Rated dynamic stability current (kA) (Peak)
LFS-10	5	0.2/10P10 0.5/10P10	10/15 15/15	80I _{th}	200I _{th}
	10				
	15				
	20				
	30				
	40				
	50				
	60				
	75				
	100				
	150				
	200				
	300				
	400				
	500			40	100
	600				

Technical parameters of LFSQ-10Q type current transformer.

Model	Rated primary current (A)	Combined accuracy classes	Rated output (VA)	Rated short-time thermocurrent (r.m.s) (kA)	Rated dynamic stability current (kA) (Peak)
LFSQ-10Q	5	0.2/10P10 0.5/10P10	10/15 15/15	120I _{th}	300I _{th}
	10				
	15				
	20				
	30				
	40				
	50				
	60				
	75				
	100				
	150				
	200				
	300				
	400				
	500			18	44
	600			24.5	61.25
				45	112.5

4.2 Rated secondary current: 5A or 1A

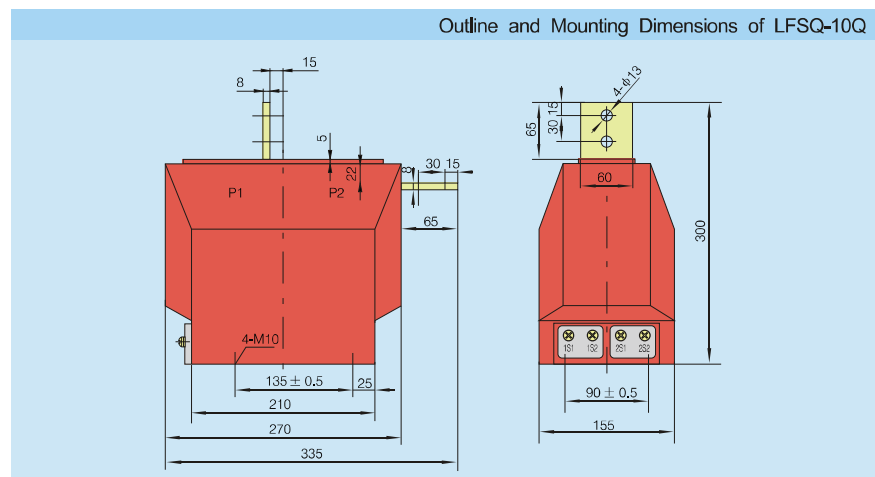
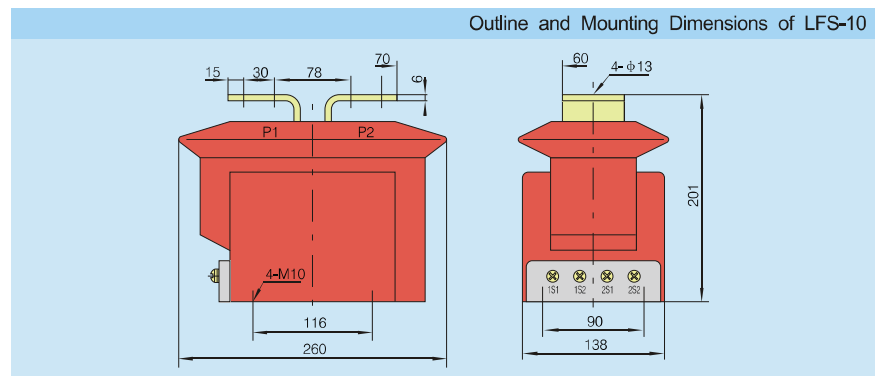
4.3 Insulation level: 12/42/75kV

4.4 Weight: 13kg.

5 Structure and Feature

The transformer is of epoxy resin, hermetically sealed structure with excellent insulative performance and anti-damp capacity. It has unique outline and easily-cleaned surface to surface clean. There are four fixing holes, earth bolts and nameplate on the bottom plate.

6 Outline and Mounting Dimensions



7 Information required for order placing

7.1 Model

7.2 Rated current ratio: A

7.3 Accuracy class and rated output: VA

7.4 Altitude: m

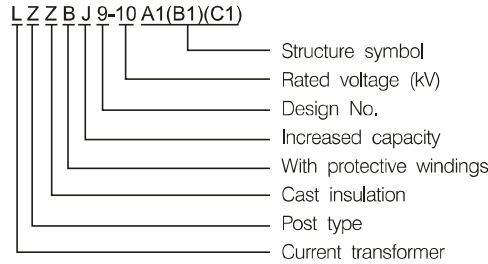


LZZBJ9-10 A1 (B1) (C1) Type current transformer

1 Applications

LZZBJ9-10A1(B1)(C1) type current transformer is intended for power measurement, current monitoring and relay protection in power system with rated frequency 50Hz or 60Hz and rated voltage 10kV. Applicable Standard: IEC60044-1 Current transformer.

2 Type Designation



3 Operation Conditions

- 3.1 Installation area: indoor
- 3.2 Ambient temperature: Max. temperature: +40°C; Min. temperature: -5°C; daily average temperature: not more than 30°C
- 3.3 Altitude: not more than 1500m
- 3.4 Air conditions: No heavy pollution in air

4 Technical Parameters

4.1 Technical Parameters of LZZBJ9-10 A1(B1)(C1) type current transformer

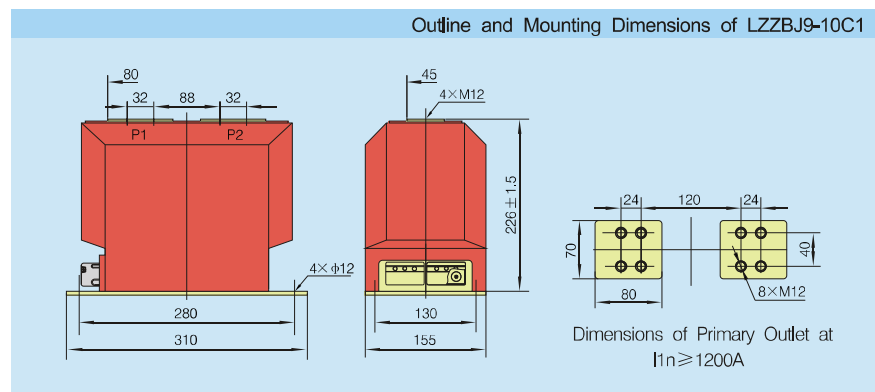
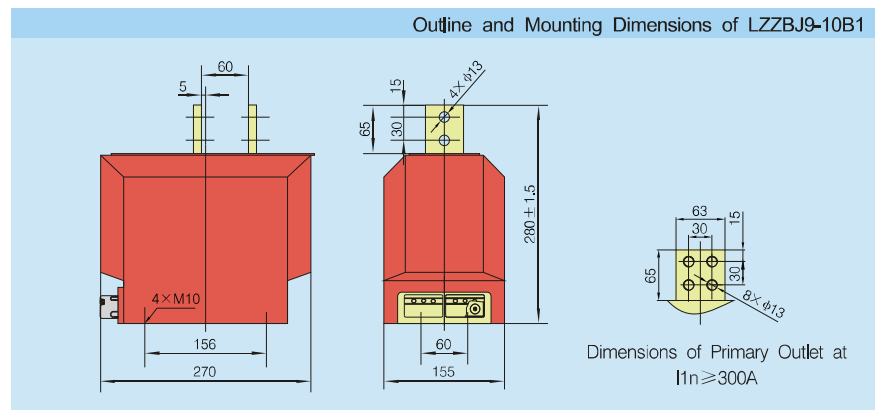
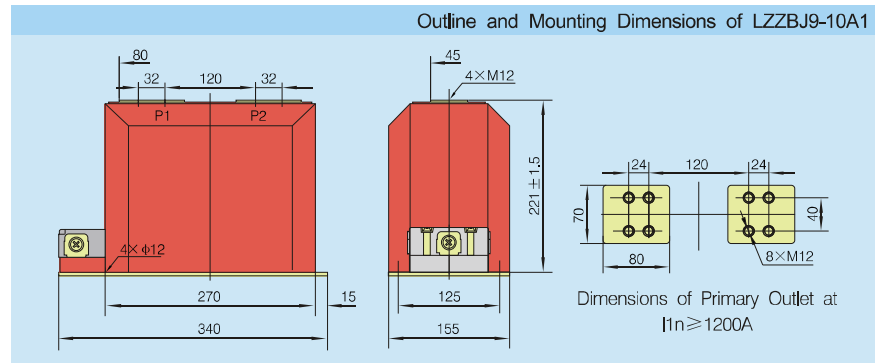
Model	Rated primary current (A)	Combined accuracy classes	Rated output (VA)	Rated short-time thermocurrent (kA)	Rated dynamic stability current (kA)(peak)	
LZZBJ9-10A1 LZZBJ9-10B1 LZZBJ9-10C1	5	0,2/10P10 0,5/10P10	10/15 15/15	90I _{1n}	225I _{1n}	
	10					
	15					
	20					
	30					
	40					
	LZZBJ9-10A1 LZZBJ9-10C1	50	0,2/10P15 0,5/10P15	10/15 15/15	24.5	61.25
		60				
		75				
		100				
		150				
		200				
LZZBJ9-10A1 LZZBJ9-10C1		300	0,2/0,5/10P10 0,2/0,2/10P10	10/15/15 10/10/15	32	80
		400				
		500				
		600				
		800				
		1000				
	LZZBJ9-10A1 LZZBJ9-10C1	1200	50	125		
		1500				
		2000				
	LZZBJ9-10C1	2500				

- 4.2 Rated secondary current: 5A or 1A
- 4.3 Insulation level: 12/42/75kV
- 4.4 Weight: LZZBJ9-10A1:23kg LZZBJ9-10B1:22kg LZZBJ9-10C1:21kg

5 Structure and Feature

The transformer is of epoxy resin, hermetically sealed structure with excellent insulative performance and anti-damp capacity. It has unique outline and easily-cleared surface. There is a connection box in the secondary connection area. Four holes on the bottom of the CT are suitable for mounting.

6 Outline and Mounting Dimensions



7 Information required for order placing

- 7.1 Model
- 7.2 Rated current ratio: A
- 7.3 Accuracy class and rated output: VA
- 7.4 Altitude: m

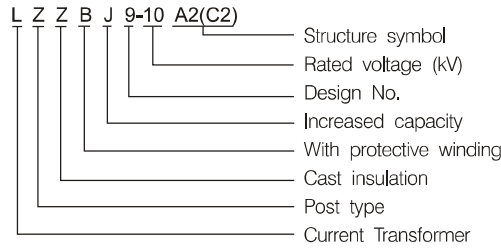


LZZBJ9-10A2(C2) Type current transformer

1 Applications

LZZBJ9-10A2(C2) type current transformer (CT for short hereinafter) is suitable for power metering and protection in power system with rated frequency 50Hz or 60Hz and rated voltage 10kV.
Applicable Standard: IEC60044-1 Current Transformer.

2 Type Designation



3 Operation Conditions

- 3.1 Installation area: indoor
- 3.2 Ambient temperature: Max. temperature: +40°C; Min. temperature: -5°C;
daily average temperature: not more than 30°C
- 3.3 Altitude: not more than 2000m
- 3.4 Air conditions: No heavy pollution in air

4 Technical Parameters

4.1 Technical Parameters of LZZBJ9-10A2(C2) Type current transformer

Model	Rated primary current (A)	Combined accuracy classes	Rated output (VA)	Rated short-time thermocurrent (kA)	Rated dynamic stability current (kA)(peak)
LZZBJ9-10A2 LZZBJ9-10C2	20	0.2/5P10	10/20	1.8	4.5
	30			2.7	6.75
	40	0.2/10P10	10/20	3.6	9
	50	0.5/5P10	20/20	4.5	11.25
	60	0.5/10P10	20/20	5.4	13.5
	75	0.2/5P15	10/20	6.75	16.875
	100	0.2/10P15	10/20	9	22.5
	150	0.5/5P15	20/20	13.5	33.75
	200	0.5/10P15	20/20	18	45
	300	0.2/5P10	10/30	24.5	61.25
	400	0.2/10P10	10/30	24.5	61.25
		0.5/5P10	20/30		
	500	0.5/10P10	20/30	32	80
		0.2/5P15	10/20		
600	0.2/10P15	10/20	32	80	
	0.5/5P15	20/20			
800	0.5/5P15	30/20	50	125	
	0.2/10P15	15/20			
1000	0.5/5P15	30/20	50	125	
	0.2/10P15	15/20			
1200	0.5/5P15	30/20	50	125	
	0.2/10P15	15/20			

Model	Rated primary current (A)	Combined accuracy classes	Rated output (VA)	Rated short-time thermocurrent (kA)	Rated dynamic stability current (kA)(peak)
LZZBJ9-10A2 LZZBJ9-10C2	1500	0.2/5P10	30/30	63	157,5
	2000	0.2/10P10	30/30	63	157,5
	2500	0.5/5P10	60/30	63	157,5
		0.5/10P10	60/30	63	157,5
	3000	0.2/5P15	30/30	63	157,5
		0.5/5P15	60/30	63	157,5
3150	0.5/10P15	60/30	63	157,5	

4.2 Rated secondary current: 5A or 1A

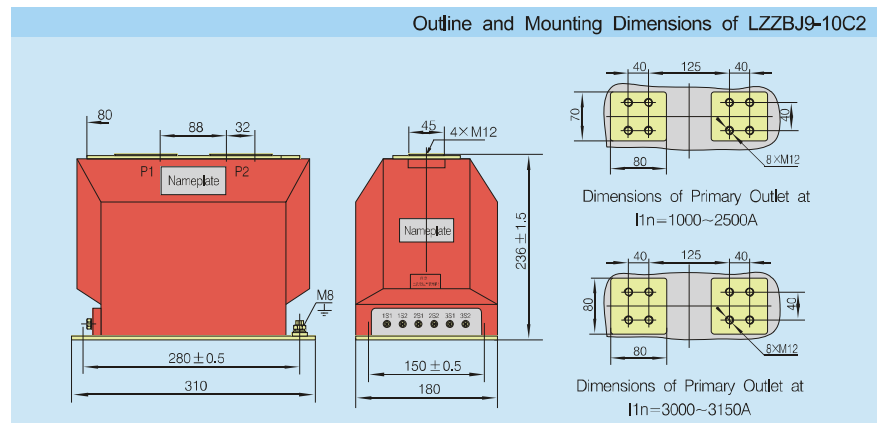
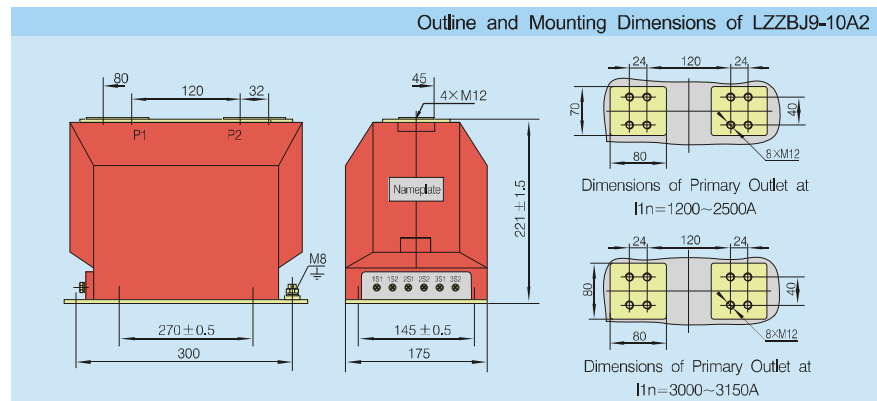
4.3 Insulation level: 12/42/75kV

4.4 Weight: A2: 27kg C2: 29kg.

5 Structure and Feature

Current transformer have the whole-sealed structure with epoxy resin as its main insulation. Its core adopts the crystallite alloy or excellent silicon steel sheets to enwind becoming annular, then secondary leads are enwinded on it evenly. Primary conducts are winded by insulation belt to avoid short circuit between conducts. There are earth bolts and four mounting holes at the bottom of the product.

6 Outline and Mounting Dimensions



7 Information required for order placing

7.1 Model

7.2 Rated current ratio: A

7.3 Accuracy class and rated output: VA

7.4 Altitude: m

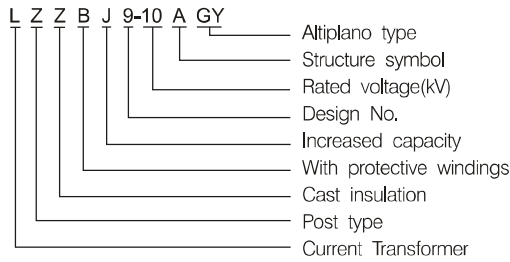


LZZBJ9-10AGY Type current transformer

1 Applications

LZZBJ9-10AGY type current transformer (CT for short hereinafter) is suitable for power metering and protection in power system with rated frequency 50Hz or 60Hz and rated voltage 10kV.
Applicable Standard: IEC60044-1 Current Transformer.

2 Type Designation



3 Operation Conditions

- 3.1 Installation area: indoor
- 3.2 Ambient temperature: Max. temperature: +40°C; Min. temperature: -5°C;
daily average temperature: not more than 30°C
- 3.3 Altitude: not more than 3000m
- 3.4 Air conditions: No heavy pollution in air

4 Technical Parameters

4.1 Technical Parameters of LZZBJ9-10AGY Type current transformer

Model	Rated primary current (A)	Combined accuracy classes	Rated output (VA)	Rated short-time thermocurrent (kA)	Rated dynamic stability current (kA)(peak)
LZZBJ9-10AGY	20	0.2/5P10 0.2/10P10 0.5/5P10 0.5/10P10	10/15	100I _{th}	250I _{th}
	30		10/20		
	40		15/15		
	50		15/20		
	60				
	75				
	100				
	150	0.2/5P10 0.2/10P10 0.5/5P10 0.5/10P10	10/20 10/20 15/20 15/20	100I _{th}	250I _{th}
	200				
	300	0.2/5P10 0.2/10P10 0.5/5P10 0.5/10P10	15/30 15/30 20/30 20/30	24,5	61,25
	400	0.2/5P10 0.2/10P10 0.5/5P10 0.5/10P10	15/30 15/30 30/30 30/30	24,5	61,25
	500	0.2/5P10 0.2/10P10 0.5/5P10	15/30 15/30 20/30	32	80
600	0.5/10P10	20/30			

Model	Rated primary current (A)	Combined accuracy classes	Rated output (VA)	Rated short-time thermocurrent (kA)	Rated dynamic stability current (kA)(peak)
LZZBJ9-10AGY	800	0.2/5P10	15/30	32	80
		0.2/10P10	15/30		
		0.5/5P10	30/30		
		0.5/10P10	30/30		
	1000	0.2/5P10	20/30	50	125
		0.2/10P10	20/30		
		0.5/5P10	40/30		
		0.5/10P10	40/30		
	1200	0.2/5P15	20/30	63	157.5
	1250		20/30		
	1500		40/30		
	2000		40/30		
	2500		40/30		
	3000	0.2/5P15	30/30	63	157.5
3150	0.2/10P15	30/30			
	0.5/5P15	60/30			
	3150	0.5/10P15	60/30		

4.2 Rated secondary current: 5A or 1A

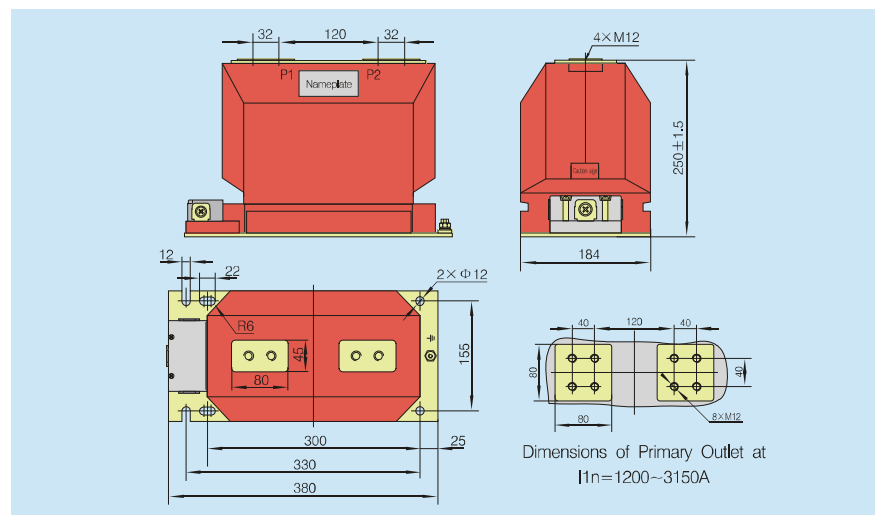
4.3 Insulation level: 12/42/75kV

4.4 Weight: 31kg.

5 Structure and Feature

Current transformers have the whole-sealed structure with epoxy resin as its main insulation. Its core adopts the crystallitic alloy or excellent silicon steel sheets to enwind becoming annular, then secondary leads are enwinded on it evenly. Primary conducts are wound by insulation belt to avoid short circuit between conducts. There are earth bolts and mounting holes at the bottom of the product.

6 Outline and Mounting Dimensions



7 Information required for order placing

7.1 Model

7.2 Rated current ratio: A

7.3 Accuracy class and rated output: VA

7.4 Altitude: m



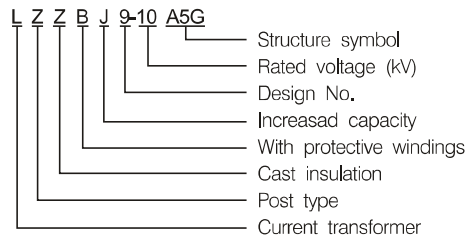
LZZBJ9-10A5G type Current Transformer

1 Applications

With epoxy resin as its main insulation and the outer insulation being intensified, LZZBJ9-10A5G type current transformer is widely applied in indoor AC circuits of 60Hz and with voltage up to 10kV to protect the current and electric energy, etc.

Applicable standard: IEC60044-1 Current transformer.

2 Type Designation



3 Operation Conditions

- 3.1 Installation area: indoor
- 3.2 Ambient temperature: Max. temperature: +40°C; Min. temperature: -5°C; daily average temperature: not more than 30°C
- 3.3 Altitude: not more than 2000m
- 3.4 Air conditions: No heavy pollution in air

4 Technical Parameters

4.1 Technical parameters of LZZBJ9-10A5G type current transformer

Model	Rated primary current (A)	Rated secondary current (A)	Rated output under the relevant accuracy class (VA)		Rated short-time Thermocurrent (kA) (r.m.s)	Rated dynamic stability current (kA) (Peak)
			0.2S/0.5/10P15/10P15	0.2S/0.5/5P20		
LZZBJ9-10A5G	50	5 or 1	15/15/15/15	15/15/20	6	15
	75		15/15/15/15	15/15/20	9	22.5
	100		15/15/15/15	15/15/20	12	30
	150		15/15/15/15	15/15/20	18	45
	200		15/15/15/15	15/15/20	24	60
	300		15/15/15/15	15/15/20	30	90
	400		15/15/15/15	15/15/20	45	112.5
	500		15/15/15/15	15/15/20	45	112.5
	600		15/20/20/20	15/20/20	63	130
	800		15/20/20/20	15/20/20	63	130
	1000		15/20/15/15	15/20/20	80	160
	1200		20/20/20/20	20/20/20	80	160
	1500		20/20/20/20	20/20/20	100	160
	2000		20/20/20/20	20/20/20	100	160
	2500		20/20/20/20	20/20/20	100	160
3150	20/20/20/20	20/20/20	100	160		

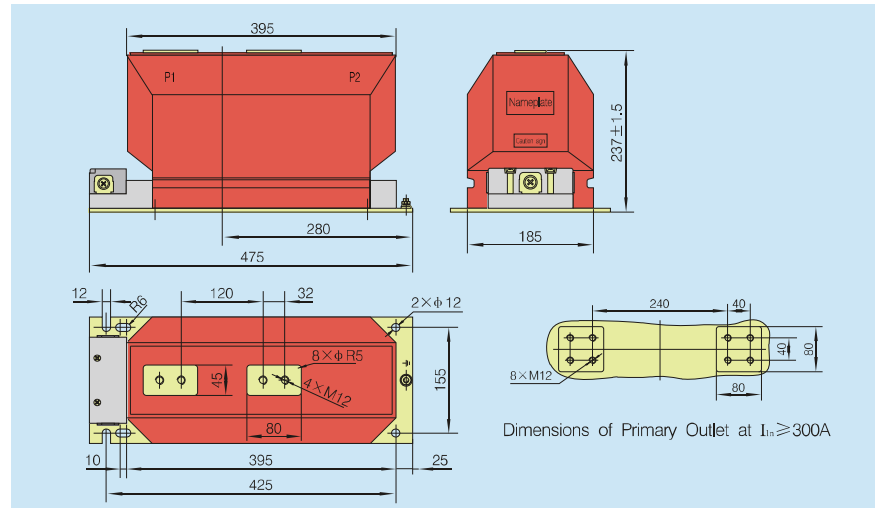
4.2 Insulation level: 12/42/75kV

4.3 Weight: 48kg.

5 Structure and Feature

Current transformer have the whole-sealed structure with epoxy resin as its main insulation. Its core adopts the crystallitic alloy or excellent silicon steel sheets to enwind becoming annular, then secondary leads are enwinded on it evenly. Primary conducts are winded by insulation belt to avoid short circuit between conducts. There are earth bolts and holes suitable for mounting at the bottom of the product suitable for mounting.

6 Outline and Mounting Dimensions



7 Information required for order placing

- 7.1 Model
- 7.2 Rated current ratio: A
- 7.3 Accuracy class and rated output: VA
- 7.4 Altitude: m

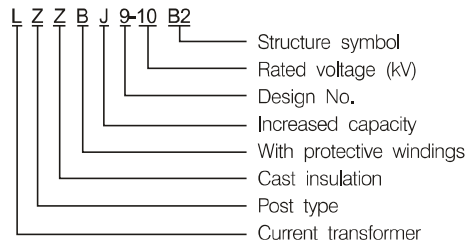
LZZBJ9-10B2 Type current transformer



1 Applications

LZZBJ9-10B2 type current transformer (CT for short hereinafter) is suitable for power metering and protection in power system with rated frequency 50Hz and rated voltage 10kV.
Applicable Standard: IEC60044-1 Current transformer.

2 Type Designation



3 Operation Conditions

- 3.1 Installation area: indoor
- 3.2 Ambient temperature: Max. temperature: +40°C; Min. temperature: -5°C;
daily average temperature: not more than 30°C
- 3.3 Altitude: not more than 2000m
- 3.4 Air conditions: No heavy pollution in air

4 Technical Parameters

4.1 Technical parameters of LZZBJ9-10B2 type current transformer

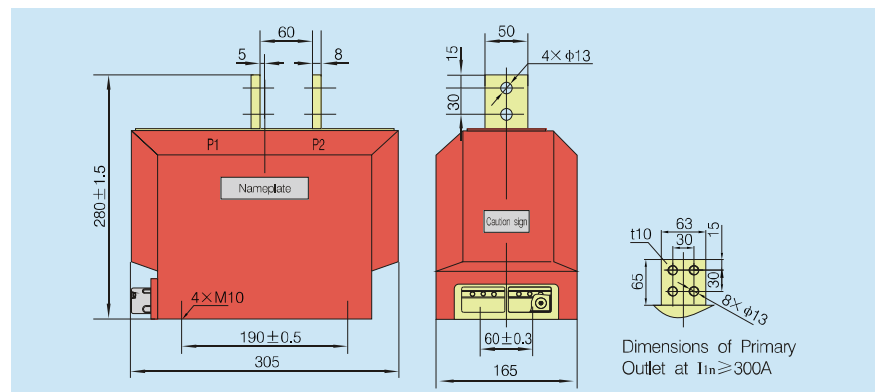
Model	Rated primary current (A)	Rated secondary current (A)	Combined accuracy class	Rated output under the Relevant accuracy class (VA)				Accurate threshold coefficient	Rated short-time Thermocurrent (r.m.s) (kA)	Rated dynamic stability current (kA) (Peak)
				Class 0.2	Class 0.5	Class 5P10 Class 10P10	Class 5P15 Class 10P15			
LZZBJ9-10B2	20~200	5 or 1	0.2/5P 0.2/10P 0.5/5P 0.5/10P	10	20	20		10 or 15	90I _n	225I _n
	300					24.5	61.25			
	400			32	80					
	500									
	600			32	80					
	800									
	1000			50	125					
	1200									
1500	63	157.5								

4.2 Rated secondary current: 5A or 1A

4.3 Insulation level: 12/42/75kV

4.4 Weight: 28kg.

5 Outline and Mounting Dimensions



6 Structure and Feature

Current transformer have the whole-sealed structure With epoxy resin as its main insulation. Its core adopts the crystallitic alloy or excellent silicon steel sheets to enwind becoming annular, then secondary leads are enwinded on it evenly. Primary conducts are winded by insulation belt to avoid short circuit between conducts.

7 Information required for order placing

- 7.1 Model
- 7.2 Rated current ratio: A
- 7.3 Accuracy class and rated output: VA
- 7.4 Altitude: m

LZZBJ9-12/175b/2(4) Type current transformer

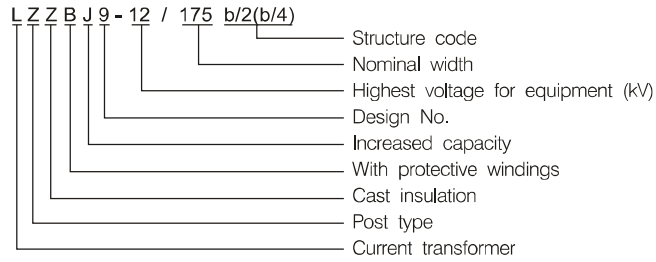


1 Applications

LZZBJ9-12/175b/2(4) series current transformer is intended for power measurement, current monitoring and relay protection in power system with rated frequency 50Hz or 60Hz and rated voltage 10kV.

Applicable Standard: IEC60044-1 Current transformer.

2 Type Designation



3 Operation Conditions

- 3.1 Installation area: indoor
- 3.2 Ambient temperature: Max. temperature: +40℃; Min. temperature: -5℃;
daily average temperature: not more than 30℃
- 3.3 Altitude: not more than 1500m
- 3.4 Air conditions: No heavy pollution in air

4 Technical Parameters

4.1 Technical parameters of LZZBJ9-12/175b/2 type current transformer

Model	Rated primary current (A)	combined accuracy classes	Rated output (VA)	Rated Short-time Thermo current (kA)	Rated dynamic stability current (kA)(peak)	
LZZBJ9-12/175b/2	20~60			120I _{in}	300I _{in}	
	75	0,2/10P10	10/20	9	22,5	
	100	0,2/10P15	10/20	12	30	
	150	0,5/10P10	20/20	18	45	
	200	0,5/10P15	20/20	21	52,5	
	300	0,2/10P10	10/30	24,5	61,25	
	400~500		0,2/10P15	10/20	32	80
			0,5/10P10	20/30		
	600	0,5/10P15	20/20	32	80	
	800~1000		0,2/10P10	15/30	50	125
			0,2/10P15	15/20		
	1200~1250		0,5/10P10	30/30	50	125
			0,5/10P15	30/20		
	1500~2500		0,2/10P10	30/30	63	157,5
			0,2/10P15	30/30		
		0,5/10P10	60/30			
3000~3150		0,5/10P15	60/30			

Technical parameters of LZZBJ9-12/175b/4 type current transformer

Model	Rated primary current (A)	combined accuracy classes	Rated output (VA)	Rated Short-time Thermo current (kA)	Rated dynamic stability current (kA)(peak)
LZZBJ9-12/175b/4	20~150	0.2/5P10/10P15	10/20/20	120I _{in}	300I _{in}
	200	0.5/5P10/10P20	10/20/15	21	52.5
	300	0.2/5P10/10P15	10/20/20	24.5	61.25
	400~500	0.5/5P10/10P20	15/20/15	32	80
	600~800	0.2/5P10/10P15 0.5/5P10/10P20	10/20/30 15/20/20	50	125
	1000~1250	0.2/5P10/10P15	10/30/30	50	125
	1500~2000	0.5/5P10/10P20	30/30/20	63	157.5
	2500	0.2/5P10/10P15 0.5/5P10/10P20	20/30/30 40/30/20	63	157.5
	3000~3150	0.2/5P10/10P15 0.5/5P10/10P20	20/20/20 40/20/15	63	157.5

4.2 Rated secondary current: 5A or 1A

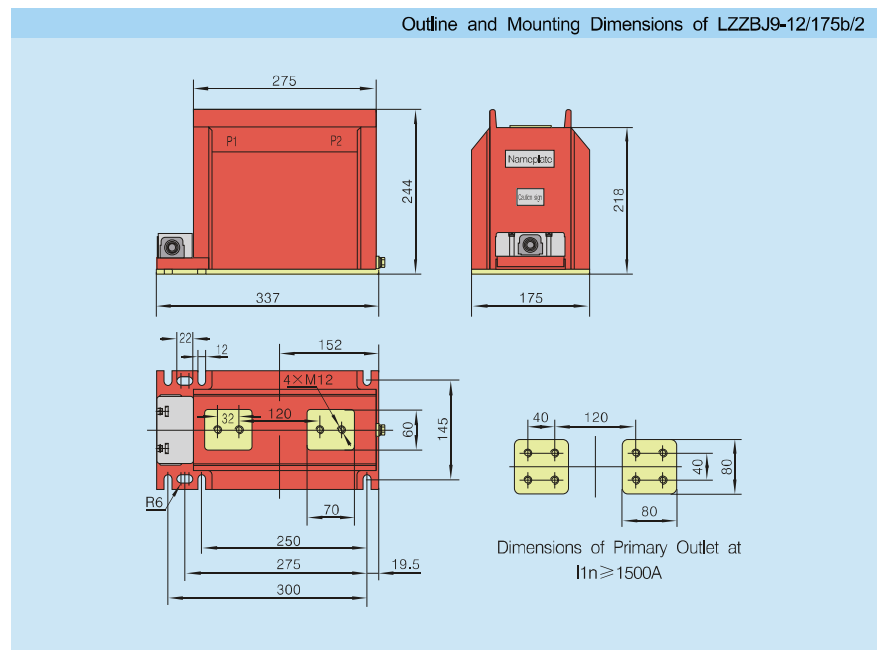
4.3 Insulation level: 12/42/75kV

4.4 Weight: 175b/2: 26kg 175b/4: 42kg.

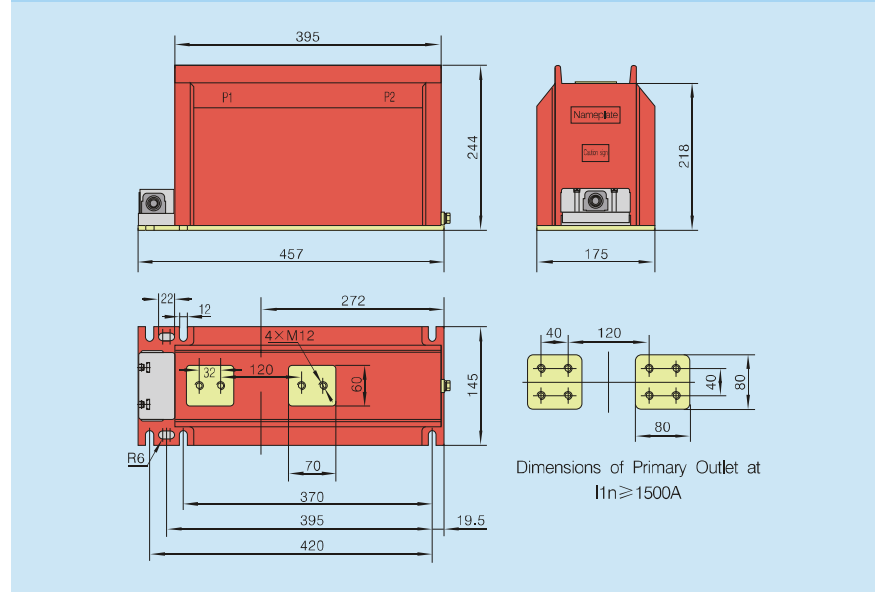
5 Structure and Feature

The transformer is of epoxy resin, hermetically sealed structure with excellent insulative performance and anti-damp capacity. It has unique outline and easily-cleaned surface. There is a connection box in the secondary connection area. Eight holes at the bottom of the CT are suitable for mounting.

6 Outline and Mounting Dimensions



Outline and Mounting Dimensions of LZZBJ9-12/175b/4



7 Information required for order placing

- 7.1 Model
- 7.2 Rated current ratio: A
- 7.3 Accuracy class and rated output: VA
- 7.4 Altitude: m

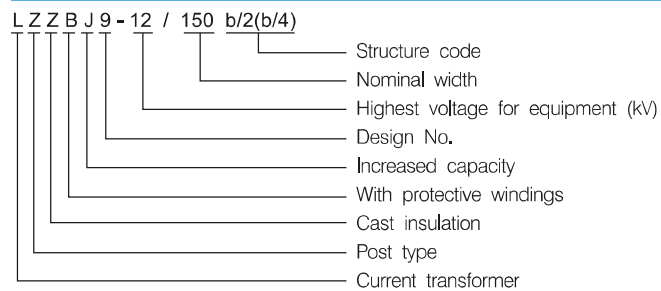
LZZBJ9-12/150b/2(4) Type current transformer



1 Applications

LZZBJ9-12/150b/2(4) series current transformer is intended for power measurement, current monitoring and relay protection in power system with rated frequency 50Hz or 60Hz and rated voltage 10kV. Applicable Standard: IEC60044-1 Current transformer.

2 Type Designation



3 Operation Conditions

- 3.1 Installation area: indoor
- 3.2 Ambient temperature: Max. temperature: +40°C; Min. temperature: -5°C;
daily average temperature: not more than 30°C
- 3.3 Altitude: not more than 1500m
- 3.4 Air conditions: No heavy pollution in air

4 Technical Parameters

4.1 Technical parameters of LZZBJ9-12/150b/2 type current transformer

Model	Rated primary current (A)	Combined accuracy classes	Rated output (VA)	Rated short-time thermocurrent (kA)	Rated dynamic stability current (kA)(peak)
LZZBJ9-12/150b/2	20~150	0.5/10P15	15/15	100I _{1n}	250I _{1n}
	200			21	52.5
	300	0.2/10P15	10/15	24.5	61.25
	400~500	0.5/10P10	15/20	32	80
	600	0.2/10P10	10/20	32	80
	800~1000	0.5/10P15	30/15	50	125
		0.2/10P15	15/15		
1200~1250	0.5/10P10	30/20	50	125	
	0.2/10P10	15/20			

Technical parameters of LZZBJ9-12/150b/4 type current transformer

Model	Rated primary current (A)	Combined accuracy classes	Rated output (VA)	Rated short-time thermocurrent (kA)	Rated dynamic stability current (kA)(peak)
LZZBJ9-12/150b/4	20~100	0.2/5P10/10P15	10/10/15	120I _{1n}	300I _{1n}
	150~200	0.5/5P10/10P20	15/15/15	21	52.5
	300~400	0.2/5P10/10P15	10/15/20	32	80
	500			45	112.5
	600~800	0.5/5P10/10P20	15/15/15	50	125
	1000~1250	0.2/5P10/10P15	15/15/20		
		0.5/5P10/10P20	20/15/15		

4.2 Rated secondary current: 5A or 1A

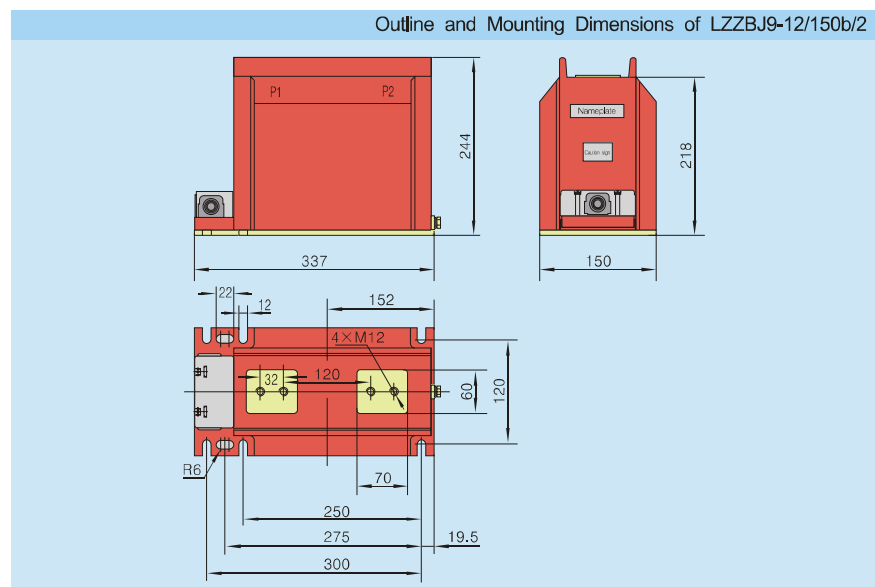
4.3 Insulation level: 12/42/75kV

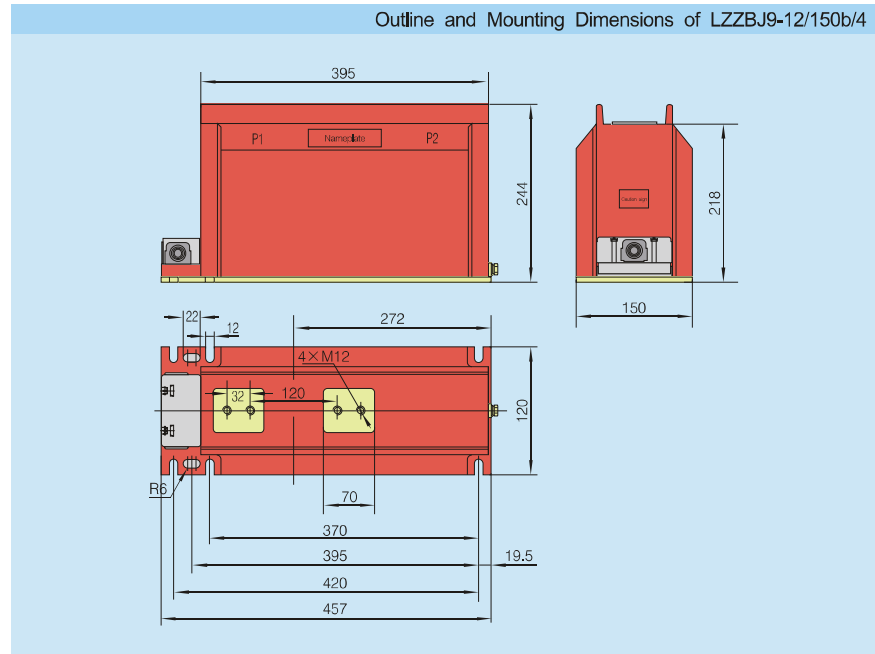
4.4 Weight: 150b/2: 21kg 150b/4: 29kg

5 Structure and Feature

The transformer is of epoxy resin, hermetically sealed structure with excellent insulative performance and anti-clamp capacity. It has unique outline and easily-cleaned surface. There is a connection box in the secondary connection area. Eight holes on the bottom of the CT are suitable for mounting.

6 Outline and Mounting Dimensions





7 Information required for order placing

- 7.1 Model
- 7.2 Rated current ratio: A
- 7.3 Accuracy class and rated output: VA
- 7.4 Altitude: m

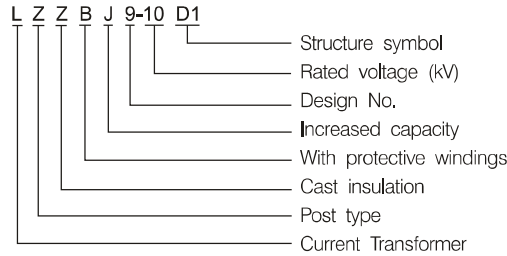
LZZBJ9-10D1 Type current transformer



1 Applications

LZZBJ9-10D1 type current transformer (CT for short hereinafter) is suitable for power metering and protection in power system with rated frequency 50Hz or 60Hz and rated voltage 10kV. Applicable Standard: IEC60044-1 Current Transformer.

2 Type Designation



3 Operation Conditions

- 3.1 Installation area: indoor
- 3.2 Ambient temperature: Max. temperature: +40°C; Min. temperature: -5°C;
daily average temperature: not more than 30°C
- 3.3 Altitude: not more than 1500m
- 3.4 Air conditions: No heavy pollution in air

4 Technical Parameters

4.1 Technical parameters of LZZBJ9-10D1 Type current transformer

Model	Rated primary current (A)	combined accuracy classes	Rated output (VA)	Rated Short-time Thermo current (kA)	Rated dynamic stability current (kA)(peak)	
LZZBJ9-10D1	5	0,2/5P10	10/15	90I _{1n}	225I _{1n}	
	10					
	15					
	20					
	30					
	40					
	50					
	60					
	75					
	100					
	LZZBJ9-10D1	150	0,2/10P15	10/15	24.5	61.25
		200				
		300				
		400				
		500				
		600				
		800				
		1000				
		1200				
		LZZBJ9-10D1	1200	0,5/10P15		
0,5/5P15						
0,2/10P15						
0,5/10P10						
LZZBJ9-10D1	1200	0,5/5P10	20/20	50	125	
		0,5/10P10				
		0,2/10P10				
		0,2/5P10				

4.2 Rated secondary current: 5A or 1A

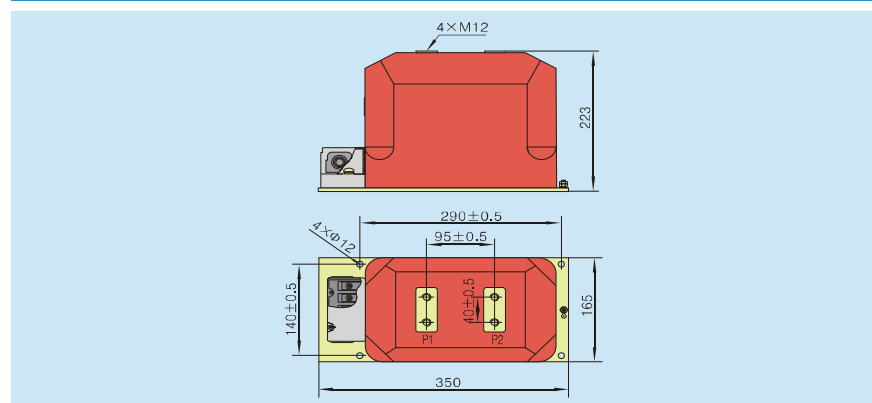
4.3 Insulation level: 12/42/75kV

4.4 Weight: 25kg

5 Structure and Feature

The series products is cast insulation type Current transformer with the whole-sealed structure. It has advantage of high precision in measurement class and big loads in protective calss. Its core adopts the crystallitic alloy or excellent silicon steel sheets to enwind becoming annular, then secondary ding are enwinded on it evenly. Primary conducts are winded by insulation belt to avoid short circuit between conducts and puncture between primary and secondary. There are four mounting holes at the bottom of the product .

6 Outline and Mounting Dimensions



7 Information required for order placing

- 7.1 Model
- 7.2 Rated current ratio: A
- 7.3 Accuracy class and rated output: VA
- 7.4 Altitude: m

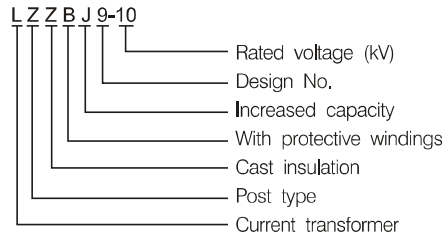


LZZBJ9-10 Type current transformer

1 Applications

LZZBJ9-10 type current transformer is intended for power measurement, current monitoring and relay protection in power system with rated frequency 50Hz or 60Hz and rated voltage 10kV.
Applicable Standard: IEC60044-1 Current transformer.

2 Type Designation



3 Operation Conditions

- 3.1 Installation area: indoor
- 3.2 Ambient temperature: Max. temperature: +40°C; Min. temperature: -5°C;
daily average temperature: not more than 30°C
- 3.3 Altitude: not more than 1500m
- 3.4 Air conditions: No heavy pollution in air

4 Technical Parameters

4.1 Technical Parameters of LZZBJ9-10 type current transformer

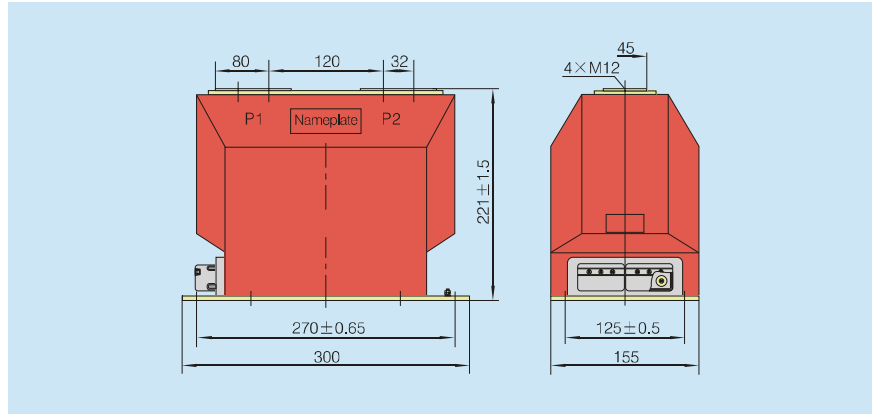
Model	Rated primary current (A)	Combined accuracy classes	Rated output (VA)	Rated short-time thermocurrent (kA)	Rated dynamic stability current (kA)(peak)	
LZZBJ9-10	5	0.2/10P10 0.5/10P10	10/15 15/15	90I _n	200I _n	
	10					
	15					
	20					
	30					
	40					
	50					
	60					
	75					
	100					
	150					
	200					
		300			24,5	44
		400				
		500	0.2/10P15 0.5/10P15	10/15 15/15	32	59
	600					
	800					
	1000			45	110	

- 4.2 Rated secondary current: 5A or 1A
- 4.3 Insulation level: 12/42/75kV
- 4.4 Weight: 20kg.

5 Structure and Feature

The transformer is of epoxy resin, hermetically sealed structure with excellent insulative performance and anti-damp capacity. It has unique outline and easily-cleaned surface. There is a connection box in the secondary connection area. Four holes on the bottom of the CT are suitable for mounting.

6 Outline and Mounting Dimensions



7 Information required for order placing

- 7.1 Model
- 7.2 Rated current ratio: A
- 7.3 Accuracy class and rated output: VA
- 7.4 Altitude: m

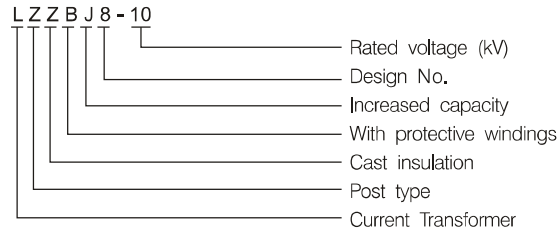


LZZBJ8-10(LFSB-10) Type current transformer

1 Applications

LZZBJ8-10(LFSB-10) type current transformer (CT for short hereinafter) is suitable for power metering and protection in power system with rated frequency 50Hz or 60Hz and rated voltage 10kV. Applicable Standard: IEC60044-1 Current Transformer.

2 Type Designation



3 Operation Conditions

- 3.1 Installation area: indoor
- 3.2 Ambient temperature: Max. temperature: +40°C; Min. temperature: -5°C; daily average temperature: not more than 30°C
- 3.3 Altitude: not more than 1500m
- 3.4 Air conditions: No heavy pollution in air

4 Technical Parameters

4.1 Technical parameters of LZZBJ8-10(LFSB-10) type current transformer

Model	Rated primary current (A)	combined accuracy classes	Rated output (VA)	Rated Short-time Thermo current (kA)	Rated dynamic stability current (kA)(peak)
LZZBJ8-10 LFSB-10	5	0.2/10P10 0.5/10P10	10/15 15/15	80I _{1n}	200I _{1n}
	10				
	15				
	20				
	30				
	40				
	50				
	75				
	100				
	150				
	200				
	300				
	400				
	500				
600					
800					
1000					
				21	51
				24	60
				30	75
				50	125

4.2 Rated secondary current: 5A or 1A

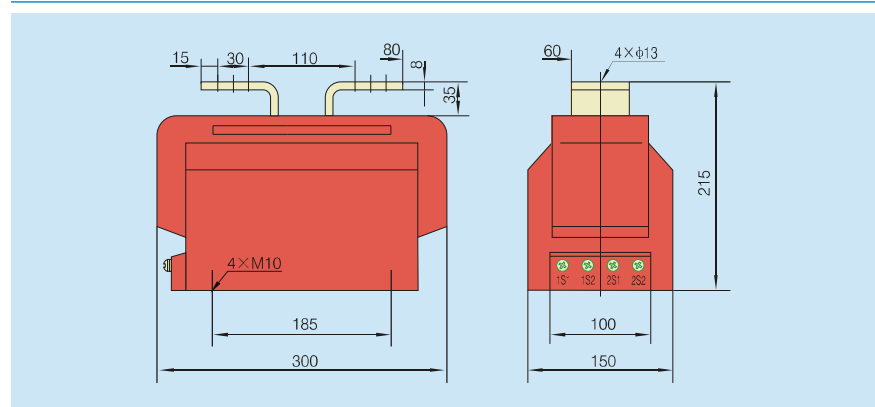
4.3 Insulation level: 12/42/75kV

4.4 Weight: 13kg.

5 Structure and Feature

Current transformer have the whole-sealed structure With epoxy resin as its main insulation. It has excellent insulation and capability of damp-proof. The product has advantage of compact structure, light weight, small volume, and easily to be cleaned in surface.

6 Outline and Mounting Dimensions



7 Information required for order placing

- 7.1 Model
- 7.2 Rated current ratio: A
- 7.3 Accuracy class and rated output: VA
- 7.4 Altitude: m

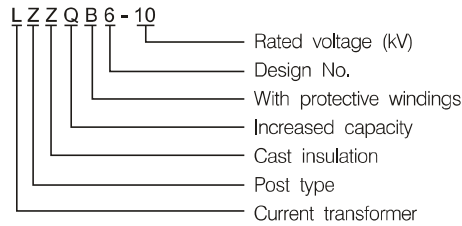


LZZQB6-10 Type current transformer

1 Applications

LZZQB6-10 type current transformer is intended for power measurement, current monitoring and relay protection in power system with rated frequency 50Hz or 60Hz and rated voltage 10kV.
Applicable Standard: IEC60044-1 Current transformer.

2 Type Designation



3 Operation Conditions

- 3.1 Installation area: indoor
- 3.2 Ambient temperature: Max. temperature: +40°C; Min. temperature: -5°C;
daily average temperature: not more than 30°C
- 3.3 Altitude: not more than 2000m
- 3.4 Air conditions: No heavy pollution in air

4 Technical Parameters

4.1 Technical parameters of LZZQB6-10 type current transformer

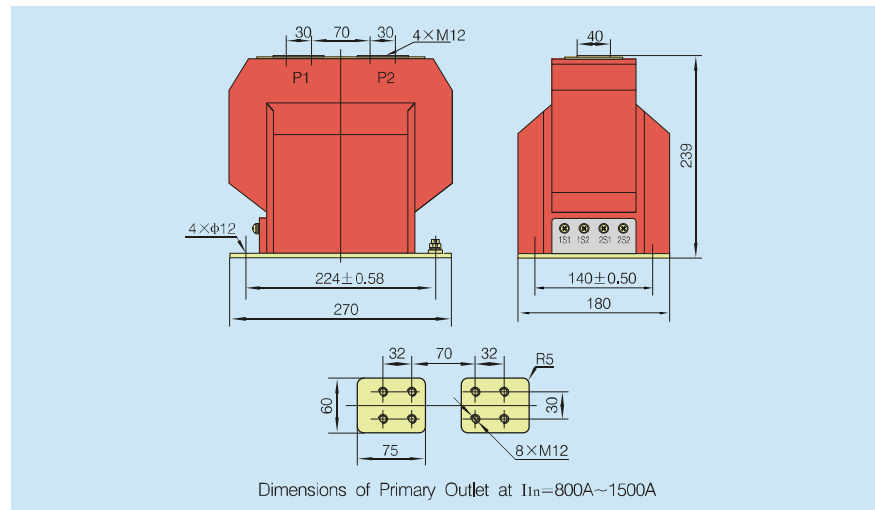
Model	Rated primary current (A)	Combined accuracy classes	Rated output (VA)	Rated short-time thermocurrent (kA)	Rated dynamic stability current (kA)(peak)
LZZQB6-10	5	0.2/10P10 0.5/10P10	10/15 15/15	120I _{th}	300I _{th}
	10				
	15				
	20				
	30				
	40				
	50				
	75				
	100				
	150				
	200				
	300				
	400				
	500				
	600				
800					
1000					
1200					
1500					

- 4.2 Rated secondary current: 5A or 1A
- 4.3 Insulation level: 12/42/75kV
- 4.4 Weight: 20kg.

5 Structure and Feature

The transformer is of epoxy resin, hermetically sealed structure with excellent insulative performance and anti-damp capacity. It has unique outline and easily-cleaned surface. There is a connection box in the secondary connection area. Four holes at the bottom of the CT are suitable for mounting.

6 Outline and Mounting Dimensions



7 Information required for order placing

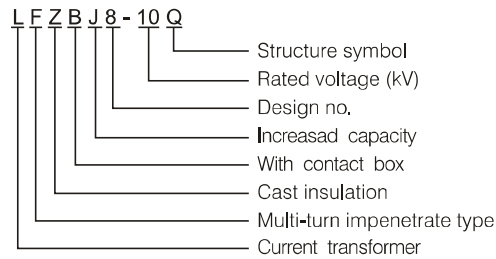
- 7.1 Model
- 7.2 Rated current ratio: A
- 7.3 Accuracy class and rated output: VA
- 7.4 Altitude: m

LFZBJ8-10Q Type current transformer

1 Applications

LFZBJ8-10Q type current transformer is intended for electric measurement and protection in power system with rated voltage 10kV and rated frequency 50Hz.
 Applicable standard: IEC60044-1 Current transformer.

2 Type Designation



3 Operation Conditions

- 3.1 Ambient temperature:
 - Max .temperature +40°C; Min. temperature -5°C; daily average temperature: not more than 30°C.
- 3.2 Altitude: not more than 2000m.
- 3.3 Air conditions: No contamination or corrosive and volatile medium in air.

4 Technical Parameters

4.1 Technical parameters of LFZBJ8-10Q current transformer.

Model	Rated primary current ratio (A)	Rated secondary current ratio A	Rated output under the relevant accuracy class (VA) 0.2S /0.5/5P20	Rated short-time thermocurrent (kA/s)(r.m.s)	Rated dynamic stability current (kA)(peak)
LFZBJ8-10Q	5~15	5	10/15/15	100I _{1n}	2.5I _{1n}
	20~75			150I _{1n}	2.5I _{1n}
	100	21		52.5	
	150	1		31.5	80
	200			45	
	300	63			
	400				
	500~800				

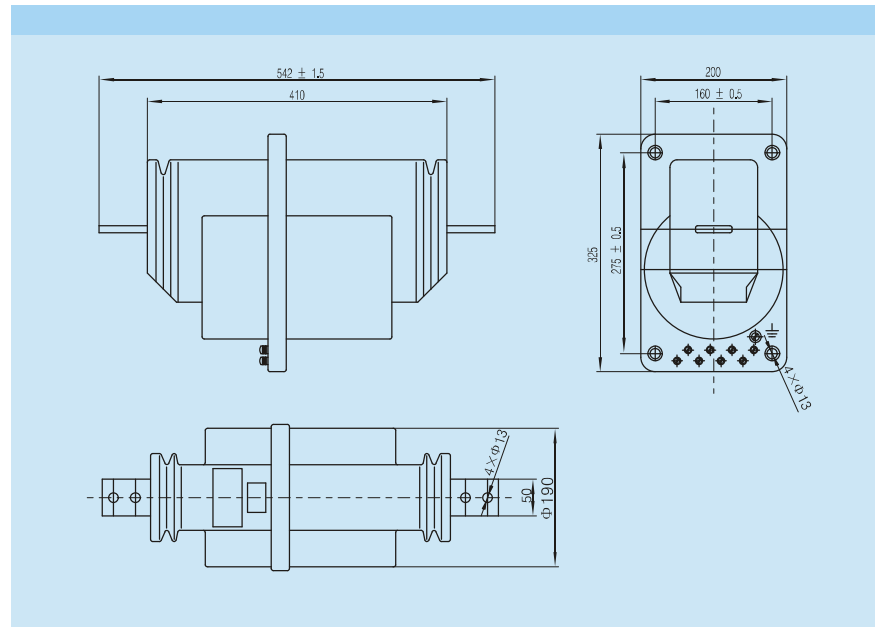
4.2 Rated secondary current : 5A or 1A.

4.3 Rated insulation level: 12/42/75kV.

5 Structure and Feature

The product is hermetically sealed design of cast and impenetrate type, using electromagnetic induction as its operating principle. Its core adopts the crystallite alloy or excellent silicon steel sheets to enwind becoming annular, then secondary leads are wound on it evenly. Primary conducts are wound by insulation belt to avoid short circuit between conducts. There are earth bolts and holes suitable for mounting at the bottom of the product.

6 Outline and Mounting Dimensions



7 Information required for order placing

- 7.1 Model
- 7.2 Rated current ratio: A
- 7.3 Accuracy class and rated output: VA
- 7.4 Altitude: m.



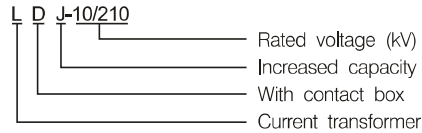
LDJ-10/210 Type current transformer

1 Applications

LDJ-10/210 type current transformer (CT for short hereinafter) is suitable for power metering, voltage monitoring and relay protection in power system with rated frequency 50Hz or 60Hz and rated voltage 10kV.

Applicable Standard: IEC60044-1 Current transformer.

2 Type Designation



3 Technical Parameters

3.1 Technical Parameters of LDJ-10/210 type current transformer

Model	Rated primary voltage (A)	Combined accuracy class	Rated output (VA)	Rated short-time thermocurrent (kA)	Rated dynamic stability current (kA)(peak)
LDJ-10/210	5~200	0.2/10P10	10/15	100I _n	250I _n
	300~400	0.5/10P10	10/15	63	100
	500~600	0.2/10P10	10/20	63	100
	800	0.5/10P10	15/20	63	100
	1000	0.2/10P10	10/25	80	130
	1200	0.5/10P10	20/25	80	130

3.2 Rated secondary voltage: 5A or 1A

3.3 Insulation level: 12/42/75kV

4 Operation Conditions

4.1 Installation area: indoor

4.2 Ambient temperature: Max. temperature: +40°C; Min. temperature: -5°C;
daily average temperature: not more than 30°C

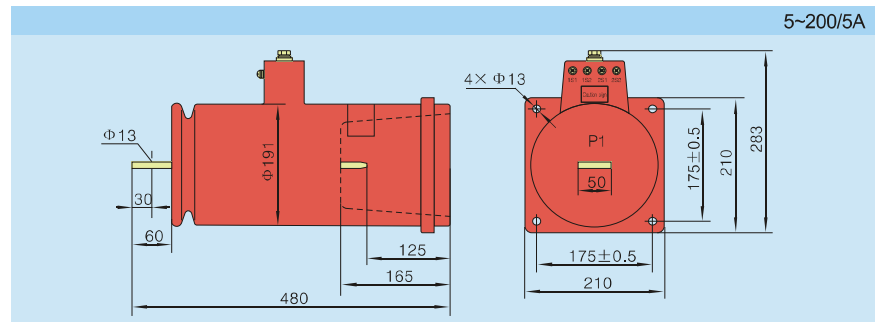
4.3 Altitude: not more than 1000m

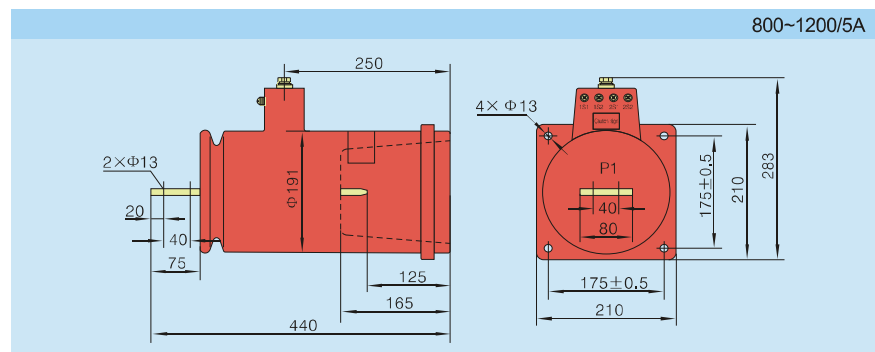
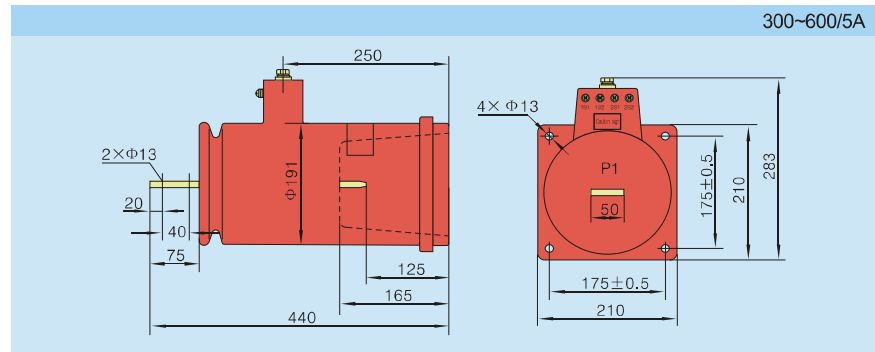
4.4 Air conditions: No heavy pollution in air

5 Structure and Feature

The current transformer is epoxy resin, impenetrable type, hermetically sealed structure. The P1 terminal of primary winding is put into epoxy resin cavum, as a stable contact of the switch cabinet.

6 Outline and Mounting Dimensions





7 Information required for order placing

- 7.1 Model
- 7.2 Rated voltage ratio: V
- 7.3 Accuracy class and rated output: VA
- 7.4 Altitude: m

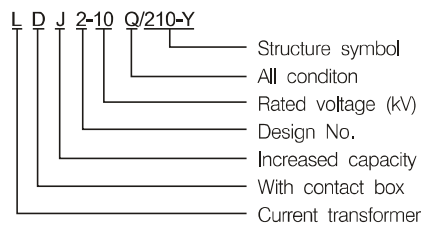
LDJ2-10Q/210-Y Type current transformer

1 Applications

LDJ2-10Q/210-Y type current transformer (CT for short hereinafter) is suitable for power metering, voltage monitoring and relay protection in power system with rated frequency 50Hz or 60Hz and rated voltage 10kV.

Applicable Standard: IEC60044-1 Current transformer.

2 Type Designation



3 Operation Conditions

- 3.1 Installation area: indoor
- 3.2 Ambient temperature: Max. temperature: +40°C; Min. temperature: -5°C;
daily average temperature: not more than 30°C
- 3.3 Altitude: not more than 1000m
- 3.4 Air conditions: No heavy pollution in air

4 Technical Parameters

4.1 Technical Parameters of LDJ2-10Q/210-Y type current transformer

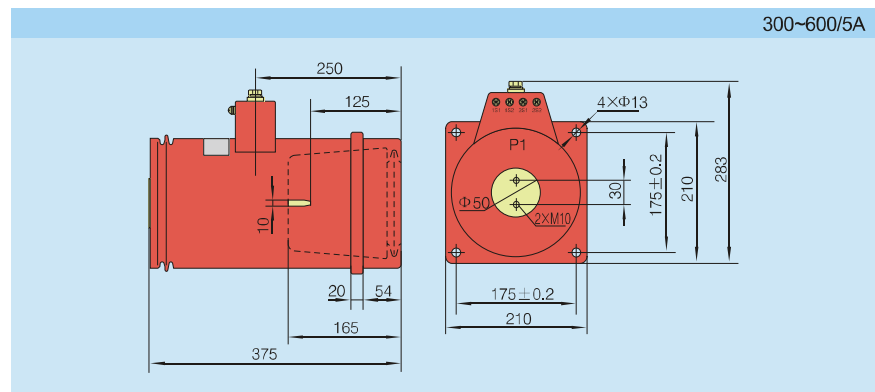
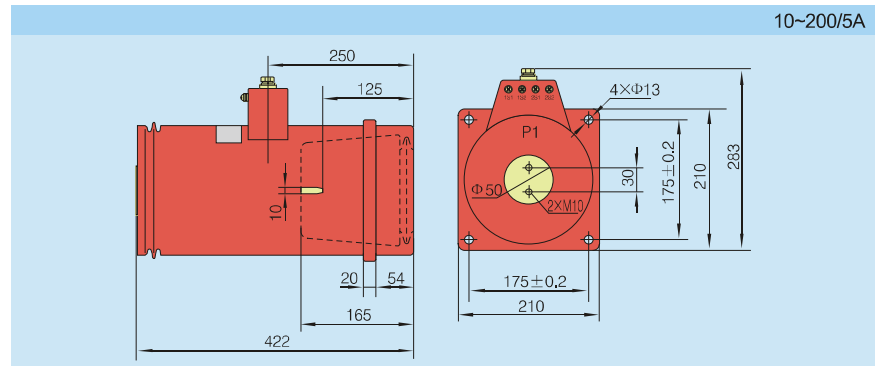
Model	Rated primary voltage (A)	Combined accuracy class	Rated output under the relevant accuracy class (VA)	Rated short-time thermocurrent (kA) (Effective Value)	Rated dynamic stability current (kA) (Peak)
LDJ2-10Q/210-Y	10~200	0.2/10P10	10/15	100I _{in}	250I _{in}
	300~400	0.5/10P10	10/15	20	50
	500~600	0.2/10P10	10/20	25	63
	800	0.5/10P10	15/20	32	80
	1000	0.2/10P10	10/25	32	80
	1250	0.5/10P10	20/25	40	100

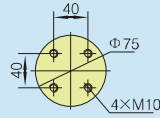
- 4.2 Rated secondary voltage: 5A or 1A
- 4.3 Insulation level: 12/42/75kV
- 4.4 Weight: 32kg.

5 Structure and Feature

The transformer is of epoxy resin, hermetically sealed structure with excellent insulative performance and anti-damp capacity. It is with unique outline and easy to surface clean.

6 Outline and Mounting Dimensions





Dimensions of Primary Outlet at $I_{1n}=800\sim 1250A$

7 Information required for order placing

- 7.1 Model
- 7.2 Rated voltage ratio: V
- 7.3 Accuracy class and rated output: VA
- 7.4 Altitude: m



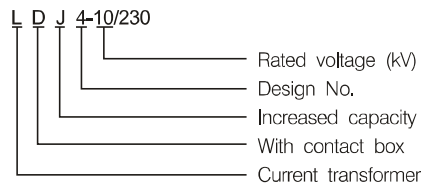
LDJ4-10/230 Type current transformer

1 Applications

LDJ4-10/230 type current transformer (CT for short hereinafter) is suitable for power metering, voltage monitoring and relay protection in power system with rated frequency 50Hz or 60Hz and rated voltage 10kV.

Applicable Standard: IEC60044-1 Current transformer.

2 Type Designation



3 Operation Conditions

- 3.1 Installation area: indoor
- 3.2 Ambient temperature: Max. temperature: +40°C; Min. temperature: -5°C;
daily average temperature: not more than 30°C
- 3.3 Altitude: not more than 1000m
- 3.4 Air conditions: No heavy pollution in air

4 Structure and Feature

The current transformer is epoxy resin, impenetrable type, hermetically sealed structure. The P1 terminal of primary winding is put into epoxy resin cavum, as a stable contact of the switch cabinet.

5 Technical Parameters

5.1 Technical Parameters of LDJ4-10/230 type current transformer

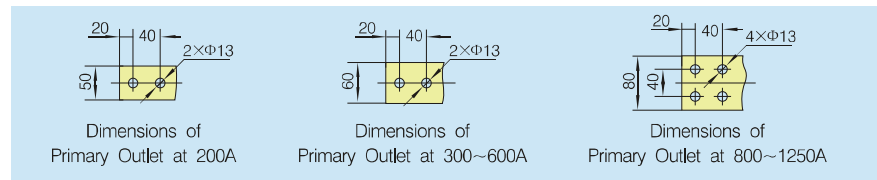
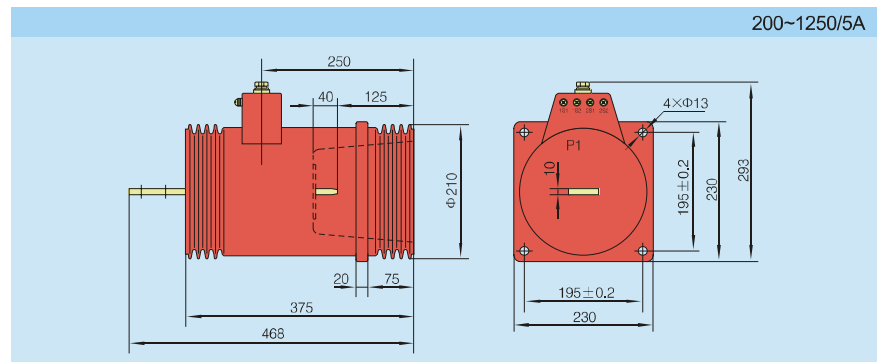
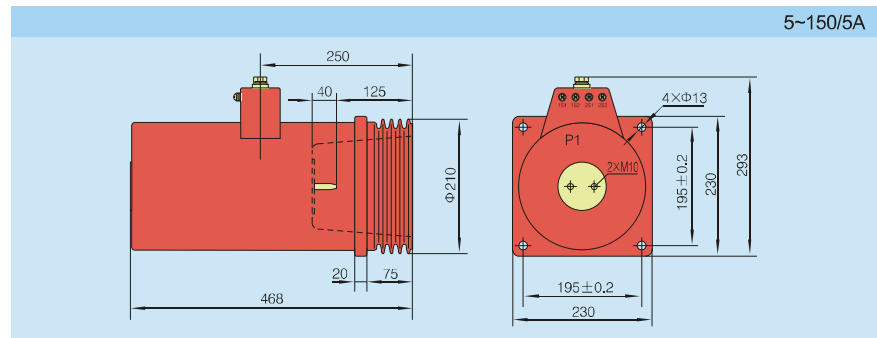
Model	Rated primary voltage (A)	Combined accuracy class	Rated output under the relevant accuracy class (VA)	Rated short-time thermocurrent (kA) (Effective Value)	Rated dynamic stability current (kA) (Peak)
LDJ4-10/230	5~150	0.2/10P10	10/15	100I _n	250I _n
	200			50I _n	125I _n
	300~400			20	50
	500~600	0.2/10P10	15/20	25	63
	800	0.5/10P10	15/20	32	80
	1000	0.2/10P10	20/25	32	80
	1250	0.5/10P10	20/25	40	100

5.2 Rated secondary voltage: 5A or 1A

5.3 Insulation level: 12/42/75kV

5.4 Weight: 32kg.

6 Outline and Mounting Dimensions



7 Information required for order placing

7.1 Model

7.2 Rated voltage ratio: V

7.3 Accuracy class and rated output: VA

7.4 Altitude: m

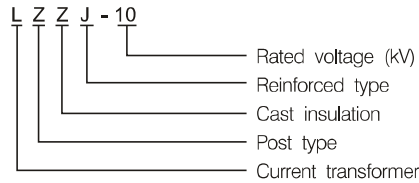


LZZJ-10 Type current transformer

1 Applications

LZZJ-10 type current transformer is intended for power measurement, current monitoring and relay protection in power system with rated frequency 50Hz or 60Hz and rated voltage 10kV. Applicable Standard: IEC60044-1 Current transformer.

2 Type Designation



3 Operation Conditions

- 3.1 Installation area: indoor
- 3.2 Ambient temperature: Max. temperature: +40°C; Min. temperature: -5°C;
daily average temperature: not more than 30°C
- 3.3 Altitude: not more than 2000m
- 3.4 Air conditions: No heavy pollution in air

4 Technical Parameters

4.1 Technical parameters of LZZJ-10 type current transformer

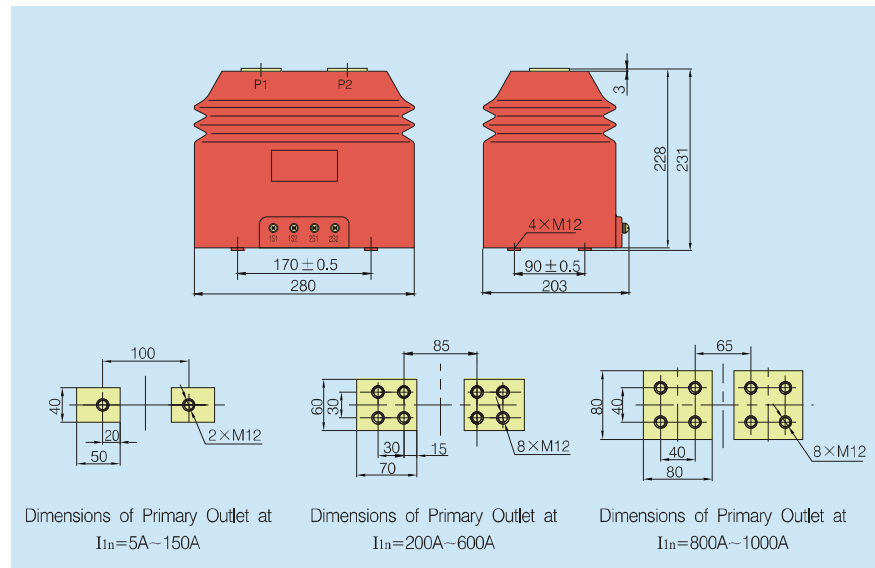
Model	Rated primary current (A)	Combined accuracy classes	Rated output (VA)	Rated short-time thermocurrent (kA)	Rated dynamic stability current (kA)(peak)
LZZJ-10	5	0.2/10P10 0.5/10P10	10/15 15/15	100I _n	250I _n
	10				
	15				
	20				
	30				
	40				
	50				
	75				
	100				
	150				
	200				
	300				
	400				
	500				
600					
800					
1000					

- 4.2 Rated secondary current: 5A or 1A
- 4.3 Insulation level: 12/42/75kV
- 4.4 Weight: 21kg.

5 Structure and Feature

The transformer is of epoxy resin, hermetically sealed structure with excellent insulative performance and anti-damp capacity. It has outline and easily-cleaned surface. Four holes at the bottom of the CT are suitable for mounting.

6 Outline and Mounting Dimensions



7 Information required for order placing

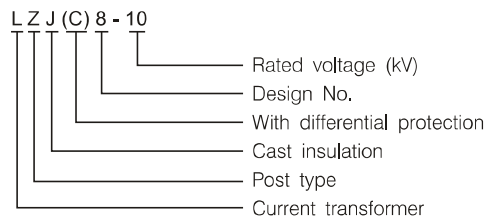
- 7.1 Model
- 7.2 Rated current ratio: A
- 7.3 Accuracy class and rated output: VA
- 7.4 Altitude: m

LZJ8-10、LZJC8-10 Type current transformer

1 Applications

LZJ8-10、LZJC8-10 type current transformer is intended for power measurement, current monitoring and relay protection in power system with rated frequency 50Hz or 60Hz and rated voltage 10kV. Applicable Standard: IEC60044-1 Current transformer.

2 Type Designation



3 Operation Conditions

- 3.1 Installation area: indoor
- 3.2 Ambient temperature: Max. temperature: $+40^{\circ}C$; Min. temperature: $-5^{\circ}C$; daily average temperature: not more than $30^{\circ}C$
- 3.3 Altitude: not more than 1500m
- 3.4 Air conditions: No heavy pollution in air



4 Technical Parameters

4.1 Technical parameters of LZJ8-10、LZJC8-10 type current transformer

Model	Rated primary current (A)	Combined accuracy classes	Rated output (VA)	Rated short-time thermocurrent (kA)	Rated dynamic stability current (kA)(peak)
LZJ8-10 LZJC8-10	50	0,2/10P10	10/15	90I _{1n}	200I _{1n}
	75				
	100				
	150				
	200	0,5/10P10	15/15	24,5	61,25
	300				
	400				
	500				
600			32	80	

4.2 Rated secondary current: 5A or 1A

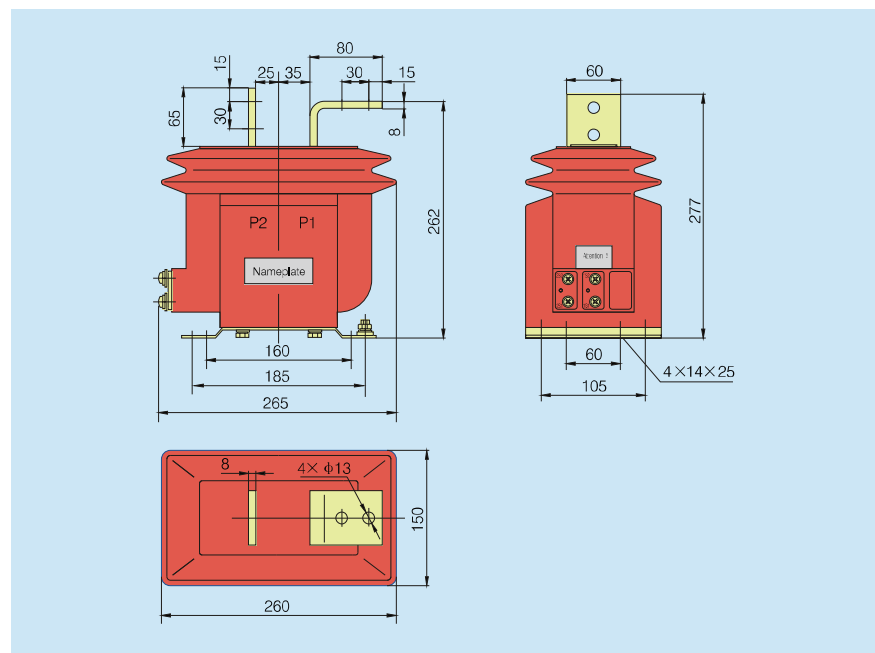
4.3 Insulation level: 12/42/75kV

4.4 Weight: 14kg.

5 Structure and Feature

The transformer is of epoxy resin, hermetically sealed structure with excellent insulative performance and anti-damp capacity. It has unique outline and easily-cleaned surface. Secondary outlet terminal is equipped with a wiring terminal box. Four holes and earth holes at the bottom of the CT are suitable for mounting.

6 Outline and Mounting Dimensions



7 Information required for order placing

7.1 Model

7.2 Rated current ratio: A

7.3 Accuracy class and rated output: VA

7.4 Altitude: m

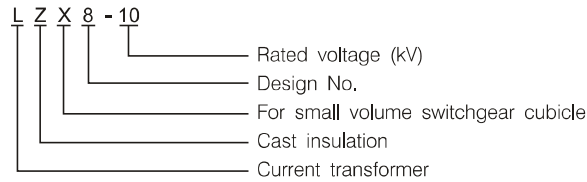


LZX8-10 Type current transformer

1 Applications

LZX8-10 type current transformer is intended for power measurement, current monitoring and relay protection in power system with rated frequency 50Hz or 60Hz and rated voltage 10kV.
Applicable Standard: IEC60044-1 Current transformer.

2 Type Designation



3 Operation Conditions

- 3.1 Installation area: indoor
- 3.2 Ambient temperature: Max. temperature: +40°C; Min. temperature: -5°C;
daily average temperature: not more than 30°C
- 3.3 Altitude: not more than 1500m
- 3.4 Air conditions: No heavy pollution in air

4 Technical Parameters

4.1 Technical parameters of LZX8-10 type current transformer

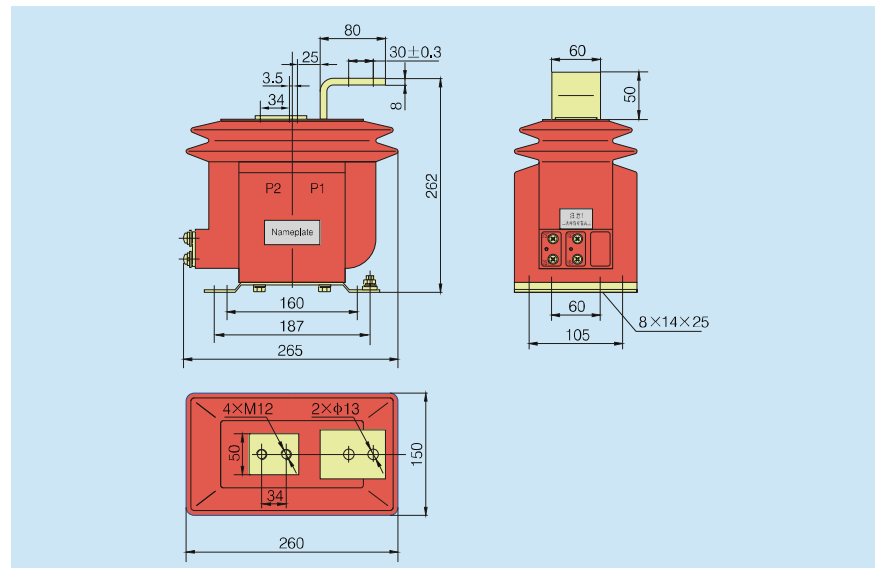
Model	Rated primary current (A)	Combined accuracy classes	Rated output (VA)	Rated short-time thermocurrent (kA)	Rated dynamic stability current (kA)(peak)
LZX8-10	20~50	0,2/10P10	10/15	90I _{th}	200I _{th}
	75				
	100				
	150				
	200				
	300	0,5/10P10	15/15	24.5	44
	400				
	500				
	600			32	80
	800				
1000					

- 4.2 Rated secondary current: 5A or 1A
- 4.3 Insulation level: 12/42/75kV
- 4.4 Weight: 14kg.

5 Structure and Feature

The transformer is of epoxy resin, hermetically sealed structure with excellent insulative performance and anti-damp capacity. It has unique outline and easily-cleaned surface. Secondary outlet terminal is equipped with a wiring terminal box. Four holes and earth bolts at the bottom of the CT are suitable for mounting.

6 Outline and Mounting Dimensions



7 Information required for order placing

- 7.1 Model
- 7.2 Rated current ratio: A
- 7.3 Accuracy class and rated output: VA
- 7.4 Altitude: m

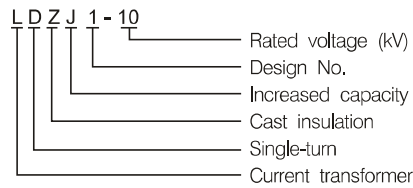
LDZJ1-10 Type current transformer



1 Applications

LDZJ1-10 type current transformer is intended for power measurement, current monitoring and relay protection in power system with rated frequency 50Hz or 60Hz and rated voltage 10kV. Applicable Standard: IEC60044-1 Current transformer.

2 Type Designation



3 Operation Conditions

- 3.1 Installation area: indoor
- 3.2 Ambient temperature: Max. temperature: +40°C; Min. temperature: -5°C;
daily average temperature: not more than 30°C
- 3.3 Altitude: not more than 1000m
- 3.4 Air conditions: No heavy pollution in air

4 Structure and Feature

The transformer is of single-turn, epoxy resin, semi-closed structure. The secondary coil is evenly wound on the core. The outlet terminals of the first secondary winding are marked by 1s1 and 1s2. The outlet terminals of the second secondary winding are marked by 2s1 and 2s2. The cast body is mounted on the panel with nameplate, earth bolts and fixing holes.

5 Technical Parameters

5.1 Technical parameters of LDZJ1-10 type current transformer

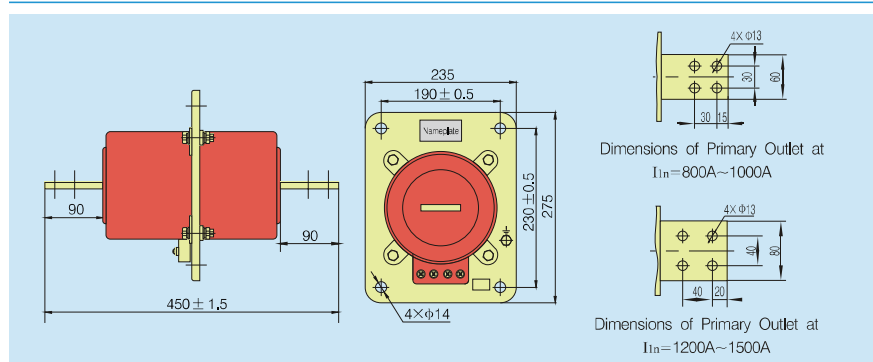
Model	Rated primary current (A)	Combined accuracy classes	Rated output (VA)	Rated short-time thermocurrent (kA)	Rated dynamic stability current (kA)(peak)
LDZJ1-10	800	0.2/10P15	15/30	40	72
	1000			50	90
	1200	0.5/10P15	30/30	60	108
	1500			75	135

5.2 Rated secondary current: 5A or 1A

5.3 Insulation level: 12/42/75kV

5.4 Weight: 15kg.

6 Outline and Mounting Dimensions



7 Information required for order placing

- 7.1 Model
- 7.2 Rated current ratio: A
- 7.3 Accuracy class and rated output: VA
- 7.4 Altitude: m

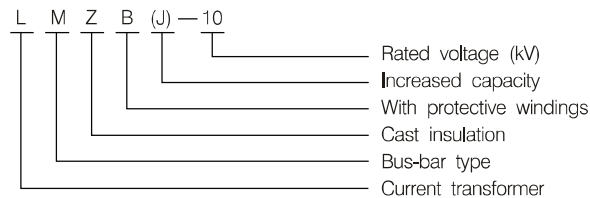


LMZB(J)-10 Type current transformer

1 Applications

LMZB(J)-10 type current transformer is intended for electric measurement and protection in power system with rated voltage 10kV and rated frequency 50Hz.
Applicable standard: IEC60044-1 Current transformer.

2 Type Designation



3 Operation Conditions

- 3.1 Ambient temperature:
Max .temperature +40°C; Min. temperature -5°C; daily average temperature: not more than 30°C.
- 3.2 Altitude: not more than 1000m.
- 3.3 Air conditions: No contamination or corrosive and volatile medium in air.

4 Technical Parameters

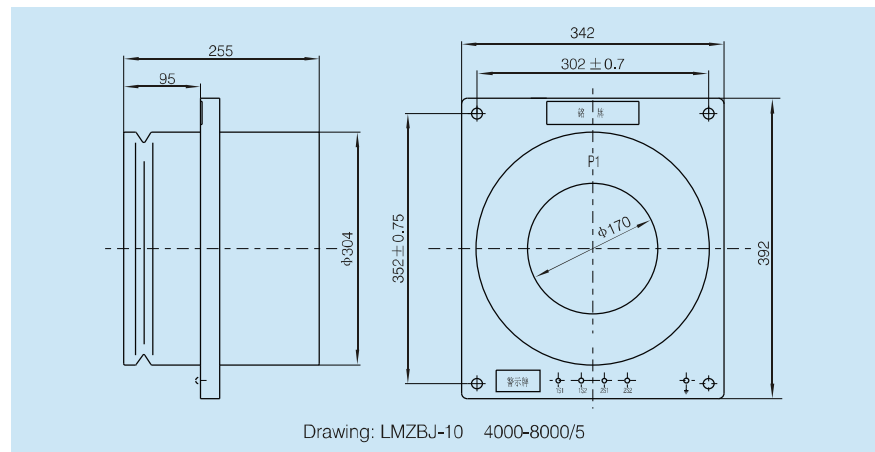
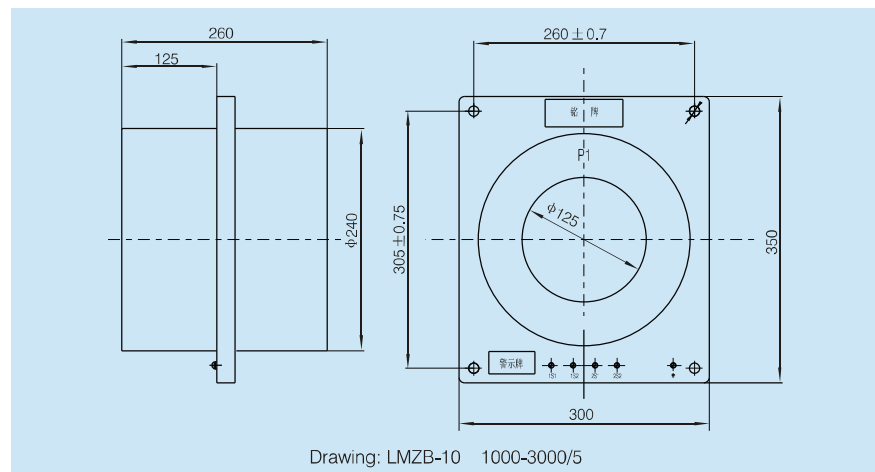
4.1 Technical parameters of LMZB(J)-10 current transformer.

4.2 Rated secondary current : 5A or 1A,

4.3 Rated insulation level: 12/42/75kV.

Model	Rated primary current ratio A	Rated secondary current ratio A	Rated output under the relevant accuracy class (VA) 0.5 (0.2) /10P10
LMZB(J)-10	1000	5	20/30
	2000		
	2500	1	
	3000		
	4000		
	5000		
	6000		
8000			

5 Outline and Mounting Dimensions



6 Information required for order placing

7.1 Model

7.2 Rated current ratio: A

7.3 Accuracy class and rated output: VA

7.4 Altitude: m.

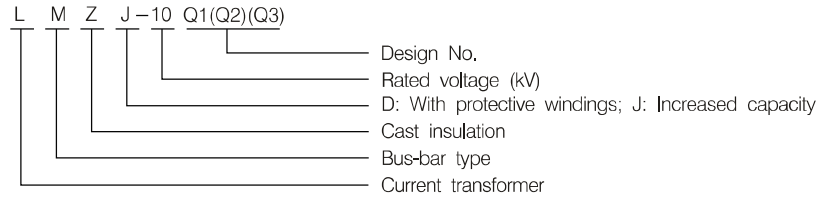


LMZB(J)-10Q1(Q2)(Q3) Type current transformer

1 Applications

LMZJ-10Q1(Q2)(Q3) type current transformer is intended for electric measurement and protection in power system with rated voltage 10kV and rated frequency 50Hz.
Applicable standard: IEC60044-1 Current transformer.

2 Type Designation



3 Operation Conditions

3.1 Ambient temperature:

Max .temperature +40℃ ; Min, temperature -5℃ ; daily average temperature: not more than 30℃.

3.2 Altitude: not more than 1000m.

3.3 Air conditions: No contamination or corrosive and volatile medium in air.

4 Technical Parameters

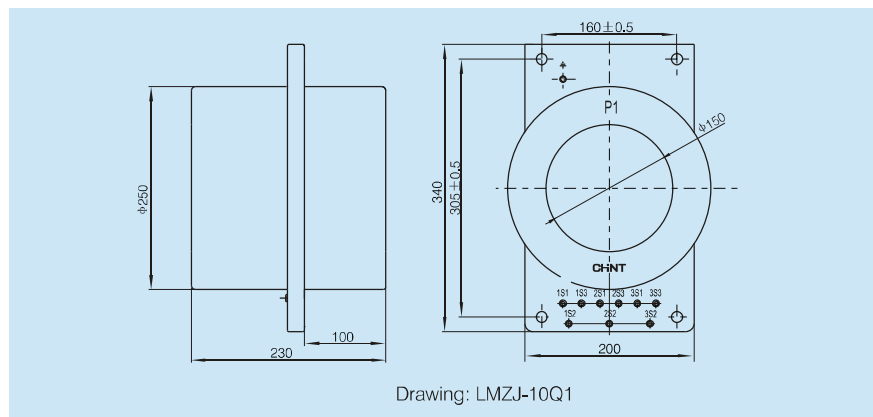
4.1 Technical parameters of LMZJ-10Q1(Q2)(Q3) current transformer.

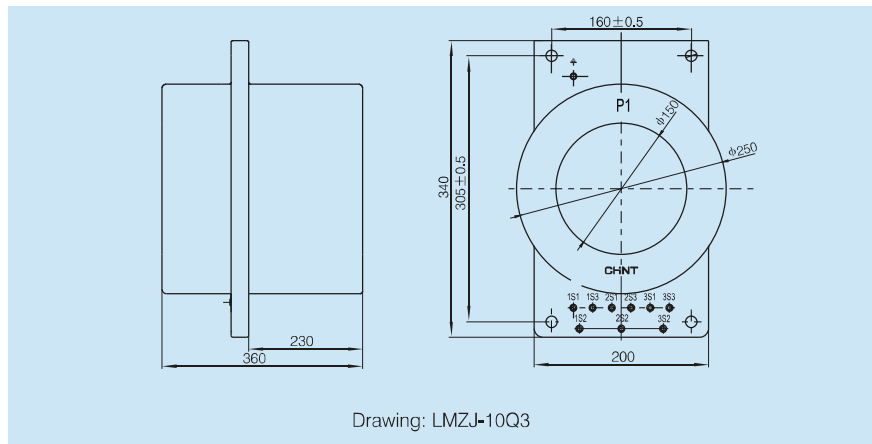
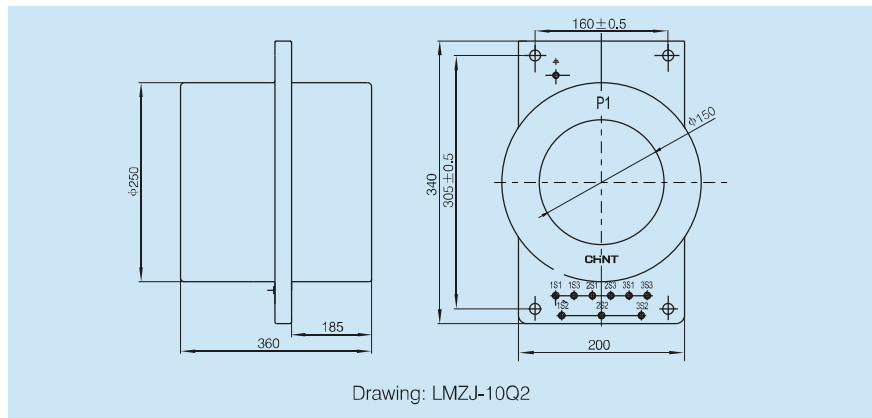
4.2 Rated secondary current : 5A or 1A,

4.3 Rated insulation level: 12/42/75kV.

Model	Rated primary current ratio A	Rated secondary current ratio A	Rated output under the relevant accuracy class (VA)
LMZJ-10Q1	1000	5	0.5 (0.2) /10P10
LMZJ-10Q2	2000		
LMZJ-10Q3	2500	or	20/30
	3000	1	

5 Outline and Mounting Dimensions





6 Information required for order placing

- 6.1 Model
- 6.2 Rated current ratio: A
- 6.3 Accuracy class and rated output: VA
- 6.4 Altitude: m.

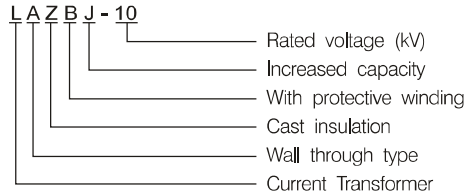
LAZBJ-10 Type current transformer



1 Applications

LAZBJ-10 type current transformer (CT for short hereinafter) is suitable for power metering and protection in power system with rated frequency 50Hz or 60Hz and rated voltage 10kV.
Applicable Standard: IEC60044-1 Current Transformer.

2 Type Designation



3 Operation Conditions

- 3.1 Installation area: indoor
- 3.2 Ambient temperature: Max. temperature: +40°C; Min. temperature: -5°C;
daily average temperature: not more than 30°C
- 3.3 Altitude: not more than 1500m
- 3.4 Air conditions: No heavy pollution in air

4 Technical Parameters

4.1 Technical parameters of LAZBJ-10 type current transformer

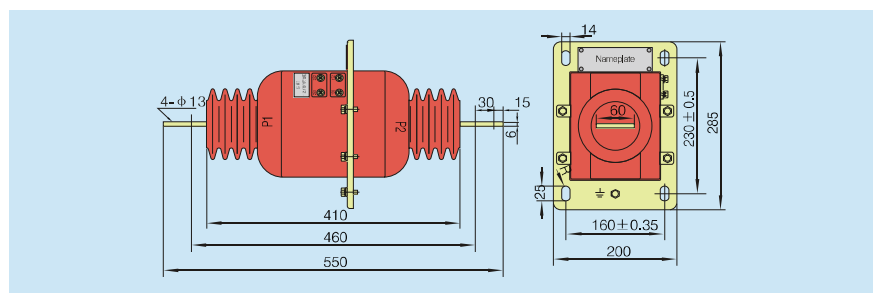
Model	Rated primary current (A)	combined accuracy classes	Rated output (VA)	Rated Short-time Thermo current (kA)	Rated dynamic stability current (kA)(peak)
LAZBJ-10	50	0.2/10P10	10/15	90I _{tn}	200I _{tn}
	75				
	100				
	150				
	200	0.5/10P10	15/15	24.5	61.25
	300				
	400				
	500				
600			32	80	

- 4.2 Rated secondary current: 5A or 1A
- 4.3 Insulation level: 12/42/75kV
- 4.4 Weight: 16kg.

5 Structure and Feature

Current transformer have the whole-sealed structure with epoxy resin as its main insulation. It has excellent insulation and capability of damp-proof. The product has advantage of light weight, clear outline,slinky appearance and easily to be cleaned in surface. There are four mounting holes, earth bolts and a nameplate at the bottom of the product.

6 Outline and Mounting Dimensions



7 Information required for order placing

- 7.1 Model
- 7.2 Rated current ratio: A
- 7.3 Accuracy class and rated output: VA
- 7.4 Altitude: m

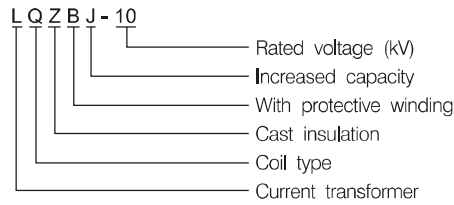


LQZBJ-10、LQJ8-10 Type current transformer

1 Applications

LQZBJ-10、LQJ8-10 type current transformer is intended for power measurement, current monitoring and relay protection in power system with rated frequency 50Hz or 60Hz and rated voltage 10kV. Applicable Standard: IEC60044-1 Current transformer.

2 Type Designation



3 Operation Conditions

- 3.1 Installation area: indoor
- 3.2 Ambient temperature: Max. temperature: +40°C; Min. temperature: -5°C;
daily average temperature: not more than 30°C
- 3.3 Altitude: not more than 1500m
- 3.4 Air conditions: No heavy pollution in air

4 Technical Parameters

4.1 Technical Parameters of LQZBJ-10、LQJ8-10 type current transformer.

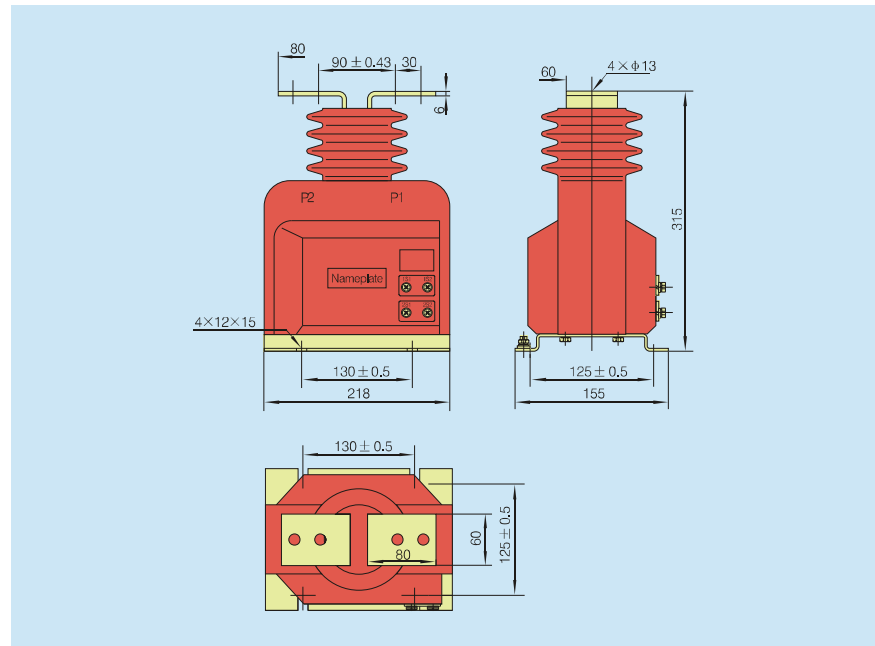
Model	Rated primary current (A)	Combined accuracy classes	Rated output (VA)	Rated short-time thermocurrent (kA)	Rated dynamic Stability current (kA)(peak)
LQZBJ-10 LQJ8-10	5	0.2/10P10 0.5/10P10	10/15 15/15	90I _n	200I _n
	10				
	15				
	20				
	30				
	40				
	50				
	75				
	100				
	150				
	200				
	300				
	400				
				24.5	61.25
				32	80

- 4.2 Rated secondary current: 5A or 1A
- 4.3 Insulation level: 12/42/75kV
- 4.4 Weight: 15kg.

5 Structure and Feature

The transformer is of epoxy resin, hermetically sealed structure with excellent insulative performance and anti-damp capacity. It has unique outline and easily-cleaned surface. Secondary outlet terminal is equipped with a wiring terminal box. Four holes and earth bolts at the bottom of the CT are suitable for mounting.

6 Outline and Mounting Dimensions



7 Information required for order placing

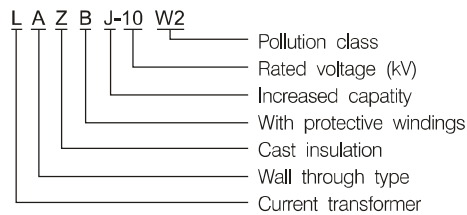
- 7.1 Model
- 7.2 Rated current ratio: A
- 7.3 Accuracy class and rated output: VA
- 7.4 Altitude: m

LAZBJ-10W2 Type current transformer

1 Applications

LAZBJ-10W2 type current transformer (CT for short hereinafter) is suitable for power metering and protection in power system with rated frequency 50Hz and rated voltage 10kV. Applicable Standard: IEC60044-1 Current transformer.

2 Type Designation



3 Operation Conditions

- 3.1 Installation area: indoor
- 3.2 Ambient temperature: Max. temperature: +40°C; Min. temperature: -5°C;
daily average temperature: not more than 30°C
- 3.3 Altitude: not more than 2000m
- 3.4 Air conditions: No heavy pollution in air

4 Technical Parameters

4.1 Technical parameters of LAZBJ-10W2 type current transformer

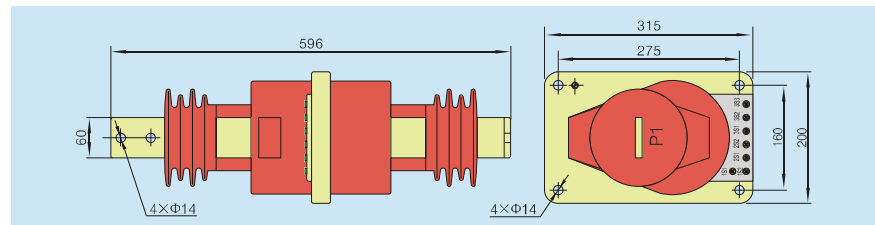
Model	Rated primary current (A)	Combined accuracy classes	Rated output under the relevant accuracy class (VA)			Accuracy limit factor	Rated Short-time Thermo current (kA)	Rated dynamic stability current (kA)(peak)
			0,2s	0,5	10P			
LAZBJ-10W2	100	0,2S/10P	10	15	15	10	90I _{1n}	225I _{1n}
	150							
	200							
	300	0.5/10P	15	15	15	24.5	61.25	
	400	0.2 S/0.5/10P						
	500							
600					32	80		

- 4.2 Rated secondary current: 5A or 1A
- 4.3 Insulation level: 12/42/75kV
- 4.4 Weight: 24kg.

5 Structure and Feature

Current transformers have the whole-sealed structure with epoxy resin as its main insulation. It has excellent insulation and capability of damp-proof. The product has advantage of light weight, clear outline, slinky appearance and easily to be cleaned in surface.

6 Outline and Mounting Dimensions



7 Information required for order placing

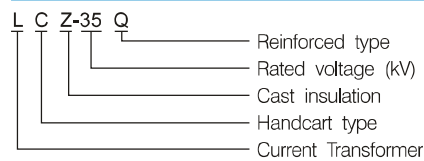
- 7.1 Model
- 7.2 Rated current ratio: A
- 7.3 Accuracy class and rated output: VA
- 7.4 Altitude: m

LCZ-35Q Type current transformer

1 Applications

LCZ-35Q type current transformer (CT for short hereinafter) is suitable for power metering, voltage monitoring and relay protection in power system with rated frequency 50Hz and rated voltage 35kV. Applicable Standard: IEC60044-1 Current Transformer.

2 Type Designation



3 Operation Conditions

- 3.1 Installation area: indoor
- 3.2 Ambient temperature: Max. temperature: +40°C; Min. temperature: -5°C;
daily average temperature: not more than 30°C
- 3.3 Altitude: not more than 1500m
- 3.4 Air conditions: No heavy pollution in air

4 Technical Parameters

4.1 Technical Parameters of LCZ-35Q type current transformer

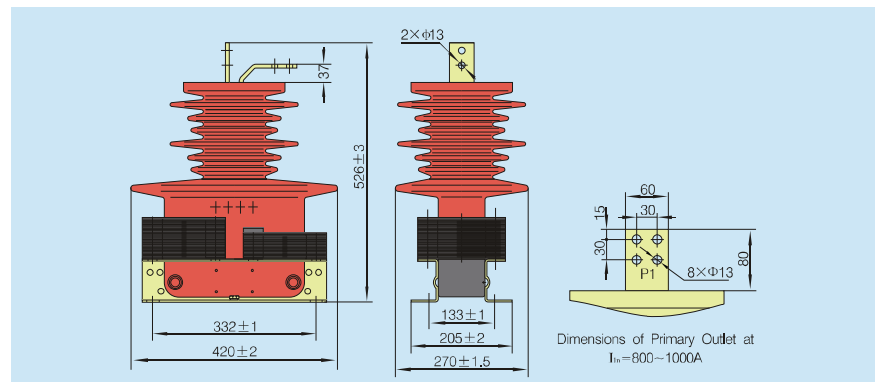
Model	Rated primary current (A)	Combined accuracy classes	Rated output (VA)	Rated short-time thermocurrent (kA)	Rated dynamic stability current (kA)(peak)		
LCZ-35Q	20	0.2/10P10	30/50	65I _{th}	212I _{th}		
	30						
	40						
	50						
	75	0.5/10P10	50/50				
	100						
	150	0.2/10P10	30/50			65I _{th}	140I _{th}
	200						
	300						
	400						
500							
600							
800	0.5/10P10	50/50					
1000							

- 4.2 Rated secondary current: 5A or 1A
- 4.3 Insulation level: 40,5/95/185kV
- 4.4 Weight: 58kg.

5 Structure and Feature

Current transformer has the semi-sealed structure with epoxy resin as its main insulation. Firstly, primary and secondary winding should be casted into the whole body where the iron core will be put in. It has excellent insulation and capability of damp-proof. There are four mounting holes, earth bolts and a nameplate at the bottom of the product.

6 Outline and Mounting Dimensions



7 Information required for order placing

- 7.1 Model
- 7.2 Rated current ratio: A
- 7.3 Accuracy class and rated output: VA
- 7.4 Altitude: m

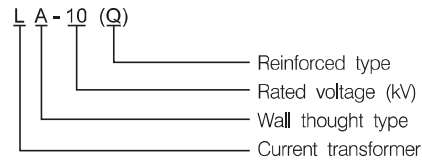


LA-10(Q) Type current transformer

1 Applications

LA-10(Q) type current transformer is intended for power measurement, current monitoring and relay protection in power system with rated frequency 50Hz or 60Hz and rated voltage 10kV.
Applicable Standard: IEC60044-1 Current transformer.

2 Type Designation



3 Operation Conditions

- 3.1 Installation area: indoor
- 3.2 Ambient temperature: Max. temperature: +40°C; Min. temperature: -5°C;
daily average temperature: not more than 30°C
- 3.3 Altitude: not more than 1000m
- 3.4 Air conditions: No heavy pollution in air

4 Technical Parameters

4.1 Technical Parameters of LA-10(Q) type current transformer.

Model	Rated primary current (A)	Combined accuracy classes	Rated output (VA)	Rated short-time thermocurrent (kA)	Rated dynamic stability current (kA)(peak)
LA-10(Q)	5	0,2/10P10 0,5/10P10	10/15 15/15	90I _{rn}	150I _{rn}
	10				
	15				
	20				
	30				
	40				
	50				
	75				
	100				
	150				
	200				
	300				
	400				
	500				
	600				
800					
1000					
				70I _{rn}	135I _{rn}
				60I _{rn}	110I _{rn}
				50I _{rn}	90I _{rn}

- 4.2 Rated secondary current: 5A or 1A
- 4.3 Insulation level: 12/42/75kV

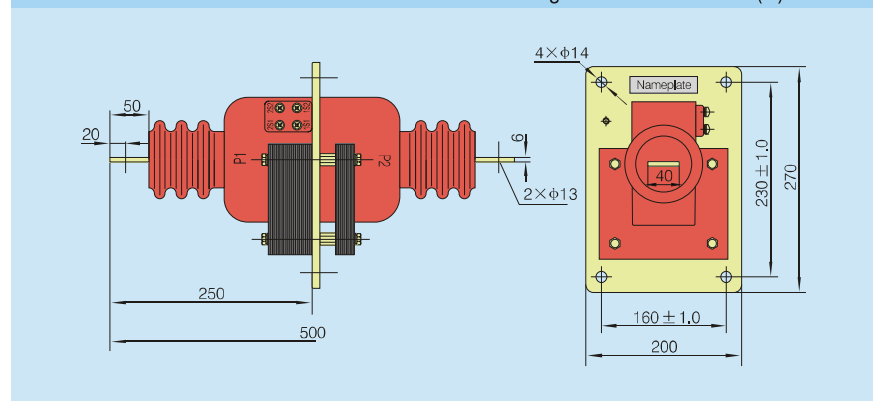
5 Structure and Feature

The structure of the transformer with rated primary current 5-300A is: multi-turn, impenetrate type, semiclosed and cast insulation. It is of exposed multi-layer core. The cast insulative part is fixed on the panel on which there is a nameplate, earth bolts and four fixing holes.

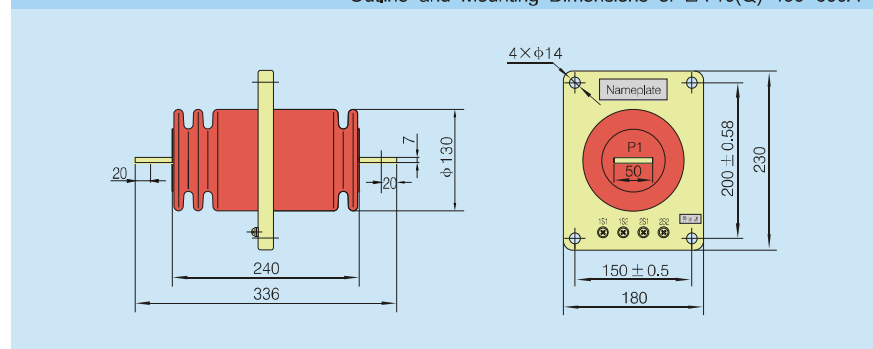
The structure of the transformer with rated primary current 400-1000A is: single-turn, impenetrate type, hermetically sealed and cast insulation. It is of O-ring core and evenly coiled secondary winding. The cast insulative part is fixed on the panel on which there is a nameplate, earth bolts and four fixing holes.

6 Outline and Mounting Dimensions

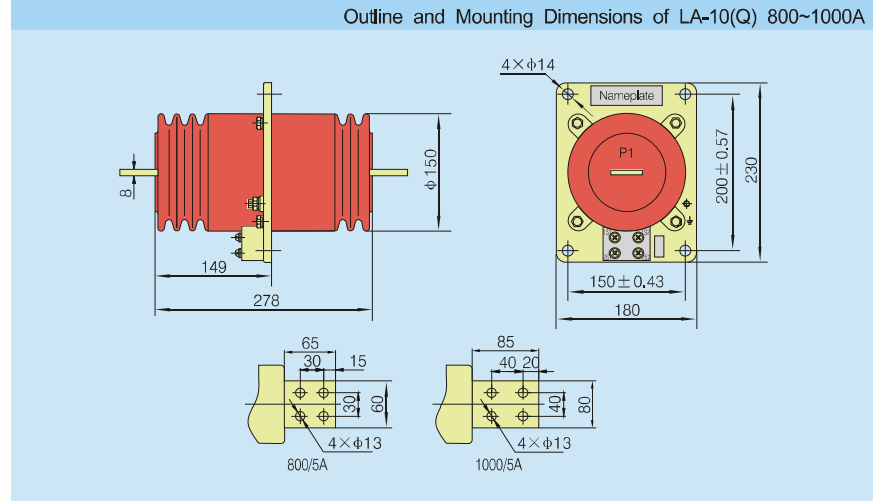
Outline and Mounting Dimensions of LA-10(Q) 5~300A



Outline and Mounting Dimensions of LA-10(Q) 400~600A



Outline and Mounting Dimensions of LA-10(Q) 800~1000A



7 Information required for order placing

- 7.1 Model
- 7.2 Rated current ratio: A
- 7.3 Accuracy class and rated output: VA
- 7.4 Altitude: m

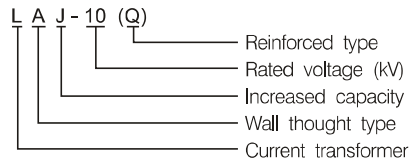


LAJ-10(Q) Type current transformer

1 Applications

LAJ-10(Q) type current transformer is intended for power measurement, current monitoring and relay protection in power system with rated frequency 50Hz or 60Hz and rated voltage 10kV.
Applicable Standard: IEC60044-1 Current transformer.

2 Type Designation



3 Operation Conditions

- 3.1 Installation area: indoor
- 3.2 Ambient temperature: Max. temperature: +40°C; Min. temperature: -5°C;
daily average temperature: not more than 30°C
- 3.3 Altitude: not more than 1500m
- 3.4 Air conditions: No heavy pollution in air

4 Technical Parameters

4.1 Technical Parameters of LAJ-10(Q) Type current transformer

Model	Rated primary current (A)	Combined accuracy classes	Rated output (VA)	Rated short-time thermocurrent (kA)	Rated dynamic stability current (kA)(peak)
LAJ-10(Q)	5	0.2/10P10 0.5/10P10	10/20 15/20	120I _{1n}	215I _{1n}
	10				
	15				
	20				
	30				
	40				
	50				
	75				
	100				
	150				
	200	0.2/10P10 0.5/10P10	10/15 15/15	50I _{1n}	90I _{1n}
	300				
	400				
	500				
	600				
	750				
	800				
1000	0.2/10P10 0.5/10P10	10/20 20/20	50I _{1n}	90I _{1n}	
1200					
1500					
2000					

- 4.2 Rated secondary current: 5A or 1A
- 4.3 Insulation level: 12/42/75kV

5 Structure and Feature

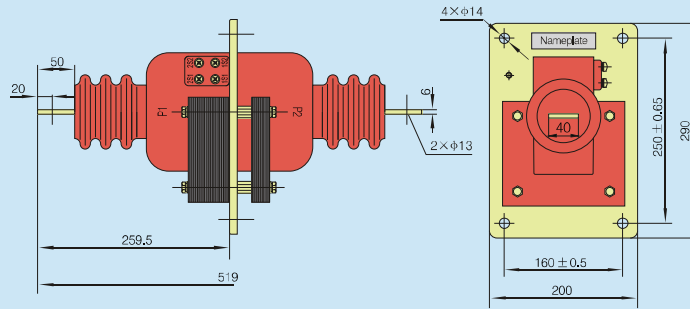
- The products has three different kinds of structure:
- 5.1 multi-turn semienclosed and cast insulation
 - 5.2 single-turn hermetically sealed and cast insulation
 - 5.3 bus-bar type and cast insulation

The cast insulated part is fixed on the panel on which there is a name plate , earth bolt and four fixing holes.

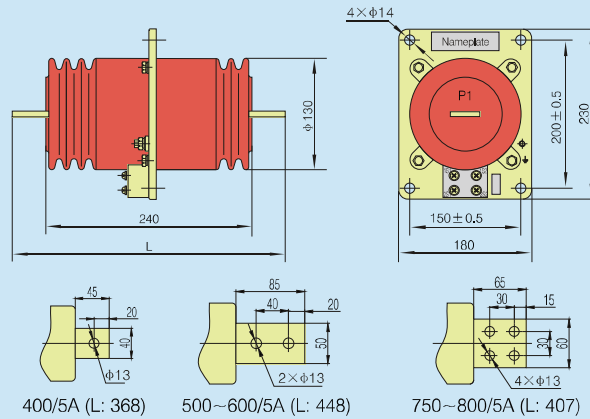
The structure of the transformer with rated primary current 400-1000A is: single-turn, double-outlet, hermetically sealed and cast insulation. It is of O-ring core and evenly coiled secondary winding. The cast insulative part is fixed on the panel on which there is a nameplate, earth bolts and four fixing holes.

6 Outline and Mounting Dimensions

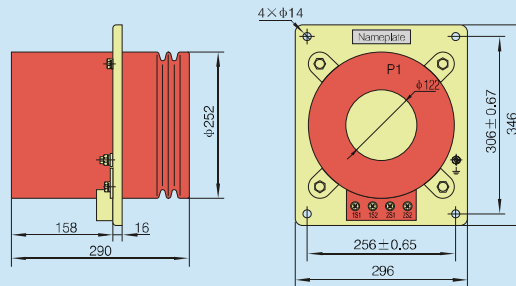
Outline and Mounting Dimensions of LAJ-10(Q) 400-800A



Outline and Mounting Dimensions of LAJ-10(Q) 5-300A



Outline and Mounting Dimensions of LA-10(Q) 1000-2000A



7 Information required for order placing

- 7.1 Model
- 7.2 Rated current ratio: A
- 7.3 Accuracy class and rated output: VA
- 7.4 Altitude: m

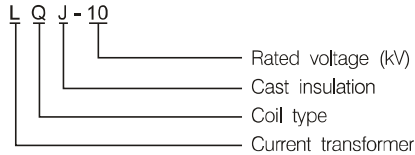


LQJ-10 Type current transformer

1 Applications

LQJ-10 type current transformer is intended for power measurement, current monitoring and relay protection in power system with rated frequency 50Hz or 60Hz and rated voltage 10kV.
Applicable Standard: IEC60044-1 Current transformer.

2 Type Designation



3 Operation Conditions

- 3.1 Installation area: indoor
- 3.2 Ambient temperature: Max. temperature: +40°C; Min. temperature: -5°C;
daily average temperature: not more than 30°C
- 3.3 Altitude: not more than 1500m
- 3.4 Air conditions: No heavy pollution in air

4 Technical Parameters

4.1 Technical Parameters of LQJ-10 type current transformer.

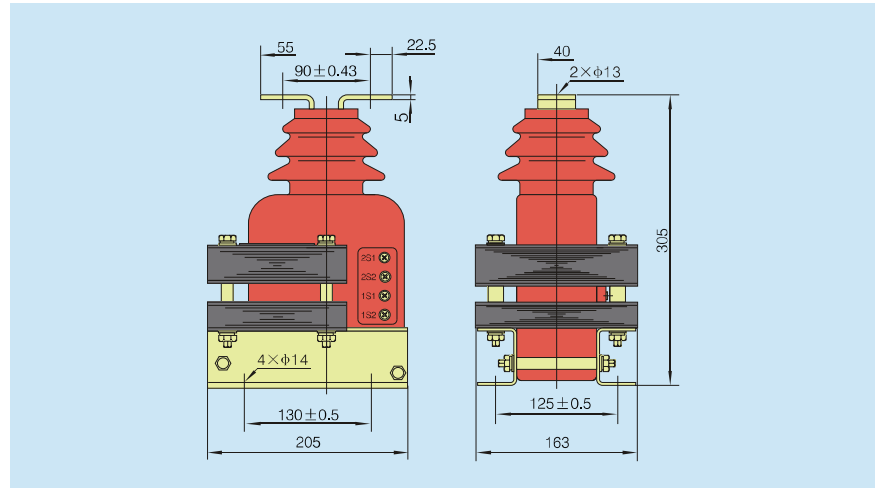
Model	Rated primary current (A)	Combined accuracy classes	Rated output (VA)	Rated short-time thermocurrent (kA)	Rated dynamic stability current (kA)(peak)
LQJ-10	5	0.2/10P10 0.5/10P10	10/15 15/15	70I _{ln}	150I _{ln}
	10				
	15				
	20				
	30				
	40				
	50				
	75				
	100				
	150				
	200				
	300			20	44

- 4.2 Rated secondary current: 5A or 1A
- 4.3 Insulation level: 12/42/75kV
- 4.4 Weight: 15kg.

5 Structure and Feature

The current transformer is of epoxy resin, semienclosed structure. Core is mounted on the cast insulation part by clamp. There are four fixing holes and a nameplate on the clamp.

6 Outline and Mounting Dimensions



7 Information required for order placing

- 7.1 Model
- 7.2 Rated current ratio: A
- 7.3 Accuracy class and rated output: VA
- 7.4 Altitude: m

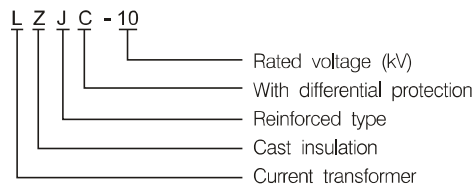
LZJC-10 Type current transformer



1 Applications

LZJC-10 type current transformer is intended for power measurement, current monitoring and relay protection in power system with rated frequency 50Hz or 60Hz and rated voltage 10kV. Applicable Standard: IEC60044-1 Current transformer.

2 Type Designation



3 Operation Conditions

- 3.1 Installation area: indoor
- 3.2 Ambient temperature: Max. temperature: +40°C; Min. temperature: -5°C; daily average temperature: not more than 30°C
- 3.3 Altitude: not more than 1000m
- 3.4 Air conditions: No heavy pollution in air

4 Structure and Feature

The current transformer is of epoxy resin, semienclosed structure. Core is mounted on the cast insulation part by clamp. There are four fixing holes and a nameplate on the clamp.

5 Technical Parameters

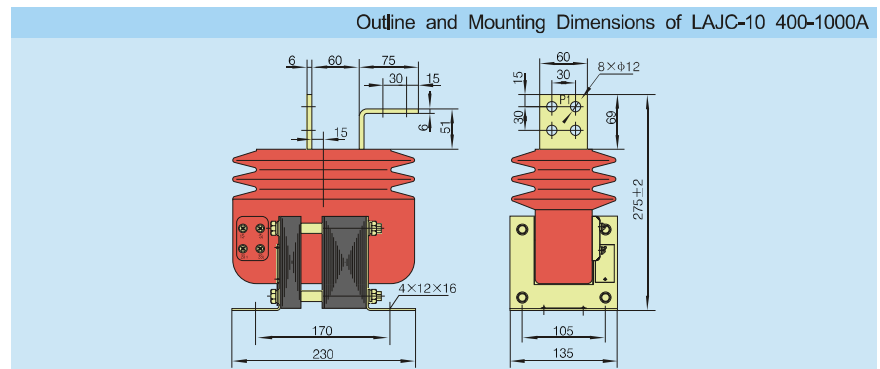
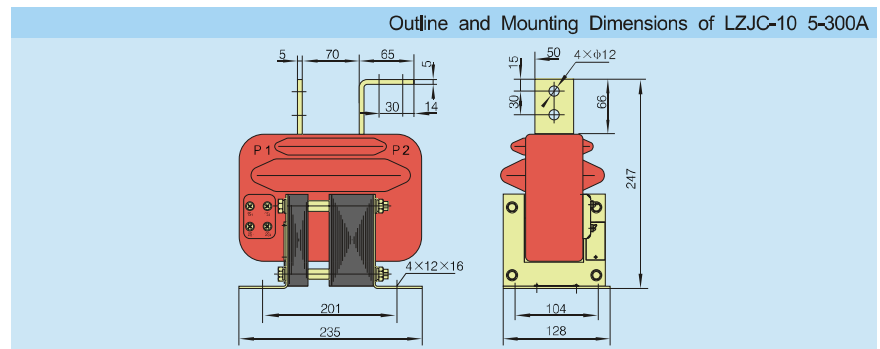
5.1 Technical Parameters of LZJC-10 type current transformer

Model	Rated primary current (A)	Combined accuracy classes	Rated output (VA)	Rated Short-time Thermocurrent (kA)	Rated dynamic stability current (kA)(peak)		
LZJC-10	5	0.2/10P15 0.5/10P15	10/15 15/15	90I _{1n}	200I _{1n}		
	10						
	15						
	20						
	30						
	40						
	50						
	75						
	100						
	150						
	200						
	300					24.5	61.25
	400						
	500					32	80
600							
800							
1000	45	112.5					

5.2 Rated secondary current: 5A or 1A

5.3 Insulation level: 12/42/75kV

6 Outline and Mounting Dimensions



7 Information required for order placing

- 7.1 Model
- 7.2 Rated current ratio: A
- 7.3 Accuracy class and rated output: VA
- 7.4 Altitude: m

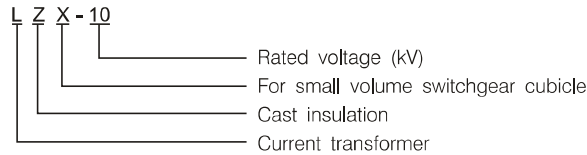


LZX-10 Type current transformer

1 Applications

LZX-10 type current transformer is intended for power measurement, current monitoring and relay protection in power system with rated frequency 50Hz or 60Hz and rated voltage 10kV.
Applicable Standard: IEC60044-1 Current transformer.

2 Type Designation



3 Operation Conditions

- 3.1 Installation area: indoor
- 3.2 Ambient temperature: Max. temperature: +40°C; Min. temperature: -5°C;
daily average temperature: not more than 30°C
- 3.3 Altitude: not more than 1000m
- 3.4 Air conditions: No heavy pollution in air

4 Technical Parameters

4.1 Technical Parameters of LZX-10 type current transformer

Model	Rated primary current (A)	Combined accuracy classes	Rated output (VA)	Rated short-time thermocurrent (kA)	Rated dynamic stability current (kA)(peak)
LZX-10	5	0,2/10P15 0,5/10P15	10/15 15/15	90I _n	200I _n
	10				
	15				
	20				
	30				
	40				
	50				
	75				
	100				
	150				
	200				
	300			24,5	61,25

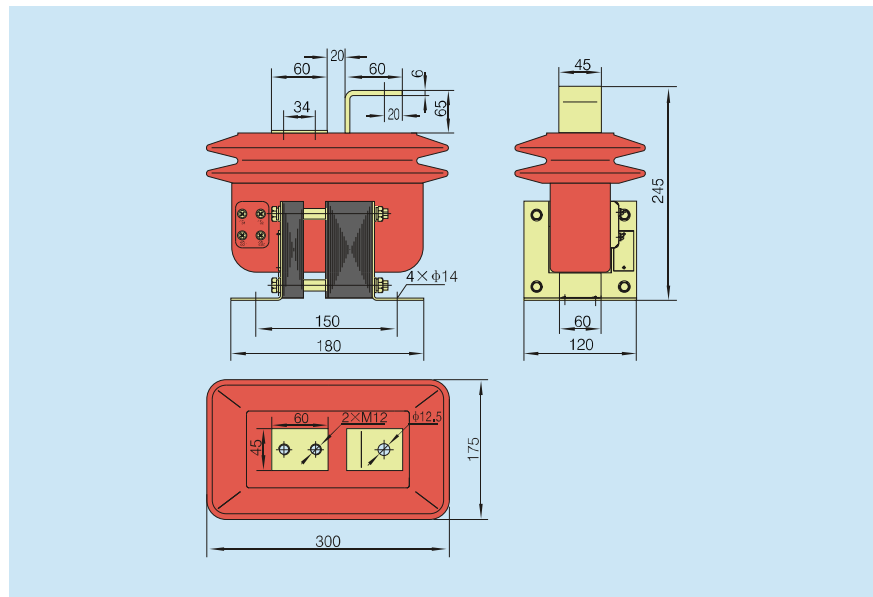
4.2 Rated secondary current: 5A or 1A

4.3 Insulation level: 12/42/75kV

5 Structure and Feature

The current transformer is of epoxy resin, semienclosed structure. Core is mounted on the cast insulation part by clamp. There are four fixing holes and a nameplate on the clamp.

6 Outline and Mounting Dimensions



7 Information required for order placing

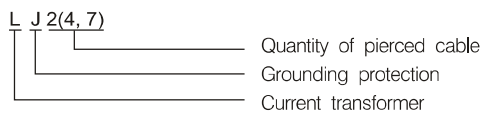
- 7.1 Model
- 7.2 Rated current ratio: A
- 7.3 Accuracy class and rated output: VA
- 7.4 Altitude: m

LJ-2(4, 7) Type current transformer

1 Applications

LJ-2(4, 7) type current transformer is intended for zero sequence over-current protection in high voltage three-phase alternator and electromotor, and AC power system with rated voltage 10kV and below, rated frequency 50Hz.

2 Type Designation



3 Operation Conditions

- 3.1 Ambient temperature:
 - Max .temperature 40°C; Min. temperature -5°C; daily average temperature: not more than 30°C.
- 3.2 Altitude: not more than 1000m,
- 3.3 Air conditions: No contamination or corrosive and volatile medium in air.

4 Structure and Feature

The core of LJ-2(4, 7) adopts the crystallitic alloy or excellent silicon steel sheets to enwind becoming annular, then secondary leads are winded on it evenly. Then deal the winded coil with dipping paint . There are four holes suitable for mounting at the bottom of the product.

5 Technical Parameters

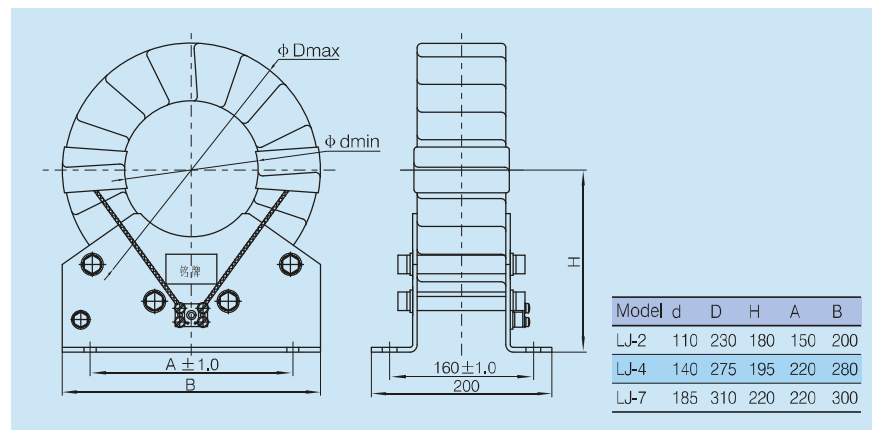
5.1 Technical parameters of LJ-2(4, 7) current transformer.

Model	Rated current ratio A	Secondary load Ω	Relay model	Setting current (Residual current of secondary loop)(A)	Sensitivity(A) (primary current for relay operation)	Unbalanced voltage in secondary loop(mV)
LJ-2	25/1					
LJ-4	30/1	10	DD-11/60	0,03	1-3	40
LJ-7	35/1					30

5.2 Rated voltage: 0.5kV.

5.3 Rated frequency: 50Hz.

6 Outline and Mounting Dimensions



7 Information required for order placing

7.1 Model

7.2 Rated current ratio: A

7.3 Accuracy class and rated output: VA

7.4 Altitude: m.

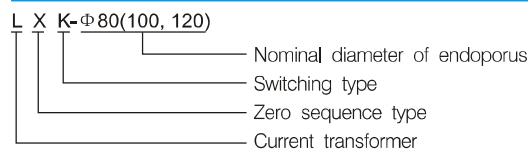


LXK-80(100,120) Type zero sequence current transformer

1 Applications

LXK-80(100,120) Type zero sequence current transformer is suitable for zero sequence relaying protection in power system with rated frequency 50Hz or 60Hz. It adopts once cable through structure, considering the insulation of secondary winding only. The power frequency withstand voltage of secondary winding to earth is 3kV.

2 Type Designation



3 Operation Conditions

- 3.1 Installation area: indoor
- 3.2 Ambient temperature: Max, temperature: +40°C; Min, temperature: -5°C;
daily average temperature: not more than 30°C
- 3.3 Altitude: not more than 1000m
- 3.4 Air conditions: No heavy pollution in air

4 Technical Parameters

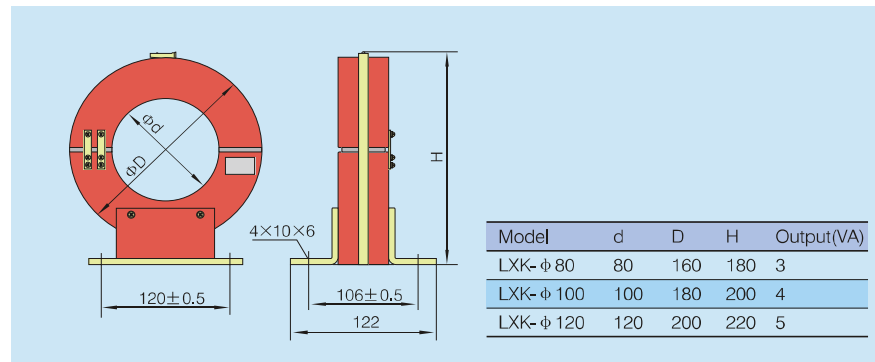
Model of Relay	Connection method of relay winding	Scale division of relay	Primary zero sequence value (A)
DD-11/60	Series connection	15×1 30×1	2.4-4.5
	Parallel connection	15×2 30×2	3-5
DD-1/60	Series connection	15×1 30×1	3-5
	Parallel connection	15×2 30×2	3-6

Model	Rated current ratio (A)	Accuracy class and rated output
LXK-φ 80(100, 120)	50/1, 60/1	3 class 1VA

5 Structure and Feature

The product adopts switching type structure. Iron core is "C" type. Depart secondary winding into two parts, then respectively wind them on the "C" type iron core. Finally cast epoxy resin to mould. There is damping piece for mounting at the bottom of the product.

6 Outline and Mounting Dimensions



7 Information required for order placing

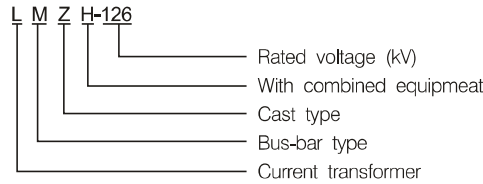
- 7.1 Model
- 7.2 Nominal diameter of endoporus
- 7.3 Rated current ratio: A
- 7.4 Accuracy class and rated output: VA
- 7.5 Altitude: m

LMZH-126 Type current transformer

1 Applications

LMZH-126 current transformer, used in gas-insulated and metal-enclosed switch equipment, is suitable for current and power measurement and relay protection in effective neutral earthed power system with highest voltage 126kV and rated frequency 50HZ.

2 Type Designation



3 Technical Parameters

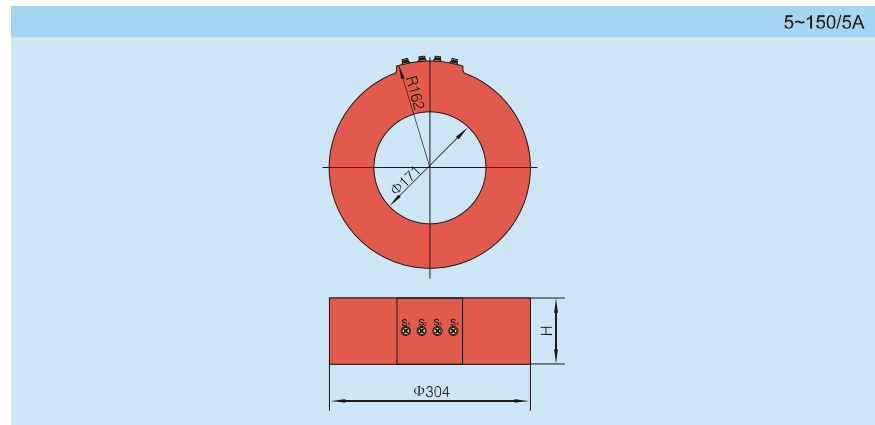
- 3.1 Installation area: in gas-insulated and metal-enclosed switch equipment
- 3.2 Ambient temperature: Max. temperature: +40℃; Min. temperature: -25℃

Model	Rated primary current	Rated secondary current	Accuracy class for measuring	Accuracy class for Protection	Meter protecting factor	Accuracy limit factor	Rated output	Rated short-time thermocurrent
LMZH-126	50A~2000A	5A or 1A	0.2S class、0.2 class、0.5 class	10P、5P	5 or 10	5、10、15、20、25、30	5~50VA	40kA/3s

4 Structure and Feature

The product consists of iron core, copper wires, insulation materials and epoxy resin. Its core adopts the crystalline alloy or excellent silicon steel sheets to wind becoming annular, then secondary leads are wound on it evenly. At last it use epoxy resin to cast. The product don't undertake the duty of main insulation.

5 Outline and Mounting Dimensions



6 Information required for order placing

- 6.1 Model
- 6.2 Rated current ratio: A
- 6.3 Accuracy class and rated output: VA
- 6.4 Altitude: m



LR-35 Type current transformer

1 Applications

LR-35 Current Transformer applies to the allocation LW8 SF₆ circuit breakers and circuit breaker using derivatives, for the current, measurement and protection of power within the allocated products. Applicable Standard: IEC60044-1 Current transformer.

2 Type Designation



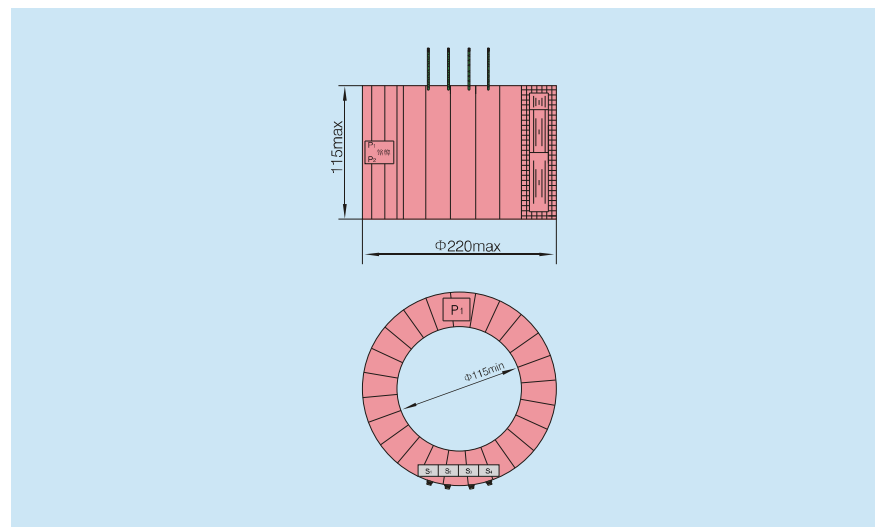
3 Technical Parameters

- 3.1 Installation area: in gas-insulated and metal-enclosed switch equipment
- 3.2 Ambient temperature: Max. temperature: +40°C; Min. temperature: -40°C

4 Structure and Feature

The product consists of iron core copper wires, insulation materials and epoxy resin. Its core adopts the crystalline alloy or excellent silicon steel sheets to enwind becoming annular. Then secondary leads are wound on it evenly. At last, use professional bind material on it. The product do not undertake the duty of main insulation.

5 Outline and Mounting Dimensions



6 Information required for order placing

- 6.1 Model
- 6.2 Rated current ratio: A
- 6.3 Accuracy class and rated output: VA
- 6.4 Altitude: m

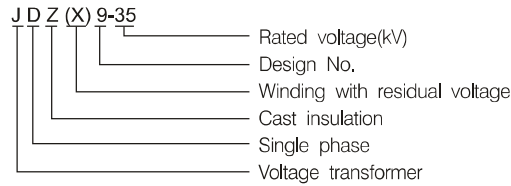
JDZ9-35、JDZX9-35 Type voltage transformer

1 Applications

JDZ9-35、JDZX9-35 type voltage transformer (PT for short hereinafter) is suitable for power metering, voltage monitoring and relay protection in power system with rated frequency 50Hz or 60Hz and rated voltage 35kV.

Applicable Standard: IEC60044-2 Voltage transformer.

2 Type Designation



3 Operation Conditions

- 3.1 Installation area: indoor
- 3.2 Ambient temperature: Max. temperature: +40°C; Min. temperature: -5°C;
daily average temperature: not more than 30°C
- 3.3 Altitude: not more than 1000m
- 3.4 Air conditions: No heavy pollution in air

4 Technical Parameters

4.1 Technical parameters of JDZ9-35 type voltage transformer

Model	Rated voltage ratio (kV)	Rated output (VA)		Ultimate output (VA)	Rated insulation level (kV)	Weight(kg)
		Class 0.2	Class 0.5			
JDZ9-35	35/0.1	60	120	800	40.5/95/200	103

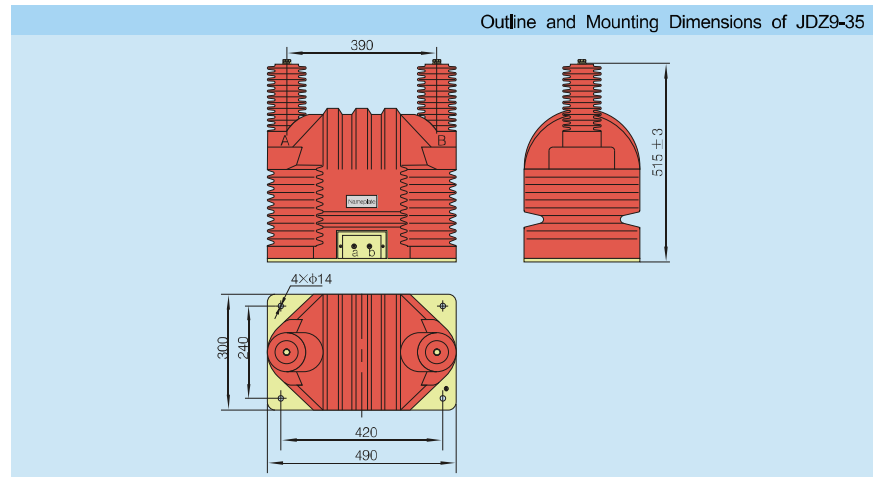
4.2 Technical parameters of JDZX9-35 type voltage transformer

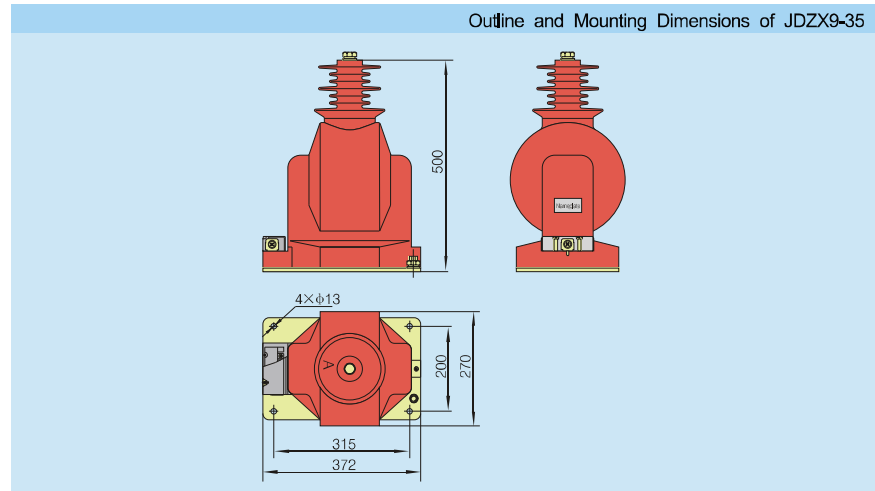
Model	Rated voltage ratio (kV)	Rated output (VA)			Ultimate output (VA)	Rated insulation level (kV)	Weight(kg)
		Class 0.2	Class 0.5	Class 6P			
JDZX9-35	35/ $\sqrt{3}$ /0.1/ $\sqrt{3}$ /0.1/3	30	80	100	600	40.5/95/200	75

5 Structure and Feature

The series PT is of post type. Its hermetically sealed by epoxy resin, with design advantages of anti-pollution, anti-damp, small in size, light in weight, easy to be installed is also suitable for tropic area and free from special maintenance except periodically surface clean. Secondary outlet terminal is equipped with connection terminal box. Upside and profile of the box have a hole respectively. The two holes together with outlet terminal are for leading out. Six holes at the bottom of the PT are suitable for mounting.

5 Outline and Mounting Dimensions





7 Information required for order placing

- 7.1 Model
- 7.2 Rated current ratio: A
- 7.3 Accuracy class and rated output: VA
- 7.4 Altitude: m

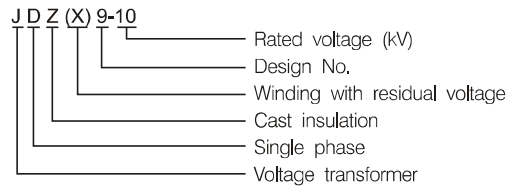
JDZ9-10、JDZX9-10 Type voltage transformer

1 Applications

JDZ9-10、JDZX9-10 type voltage transformer (PT for short hereinafter), is suitable for power metering, voltage monitoring and relay protection in power system with rated frequency 50Hz or 60Hz and rated voltage 10kV.

Applicable Standard: IEC60044-2 Voltage transformer.

2 Type Designation



3 Operation Conditions

- 3.1 Installation area: indoor
- 3.2 Ambient temperature: Max. temperature: +40°C; Min. temperature: -5°C; daily average temperature: not more than 30°C
- 3.3 Altitude: not more than 1000m
- 3.4 Air conditions: No heavy pollution in air

4 Technical Parameters

4.1 Rated values of JDZ9-10 type voltage transformer

Model	Rated primary voltage (V)	Rated secondary voltage (V)	Rated output (VA)		Ultimate output (VA)	Rated insulation level (kV)	Weight(kg)
			Class 0.2	Class 0.5			
JDZ9-10	10000	100	30	80	400	12/42/75	29

Note: Rated output is only matched to one of the relevant accuracy class.



4.2 Rated values of JDZX9-10 type voltage transformer

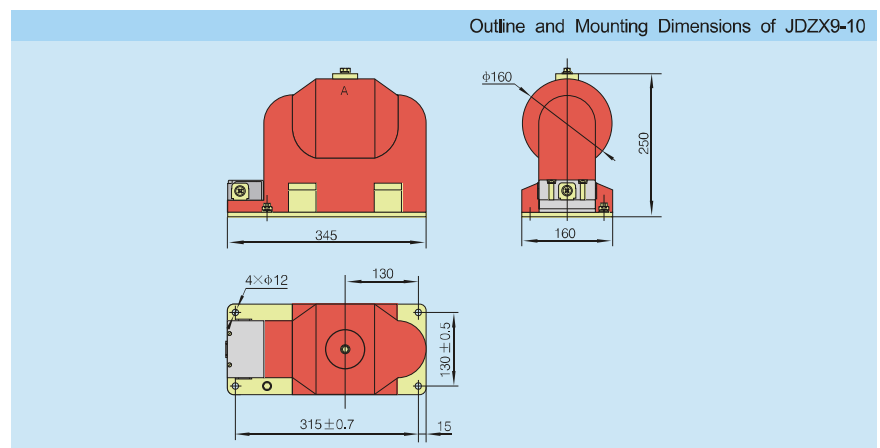
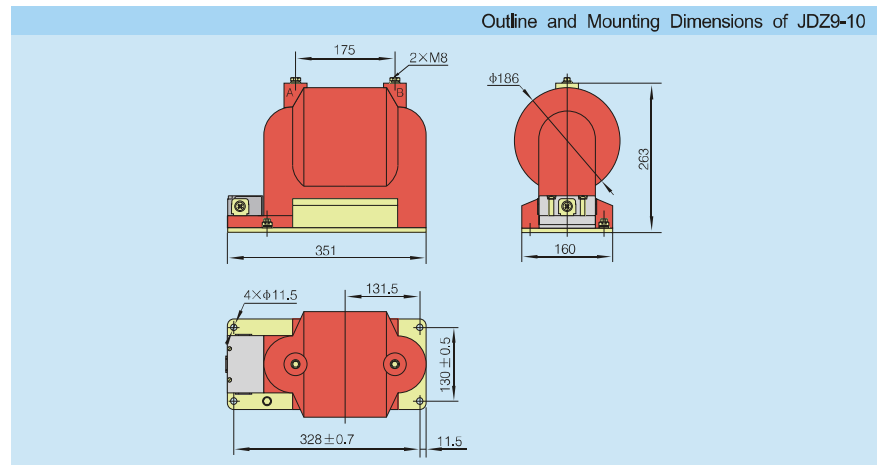
Model	Rated primary voltage (V)	Rated secondary voltage (V)	Voltage of winding with residual voltage (V)	Rated output of secondary winding (VA)			Ultimate output (VA)	Rated insulation level (kV)	Weight (kg)
				Class 0.2	Class 0.5	Class 6P			
JDZX9-10	10000/√3	100/√3	100/3	20	50	50	300	12/42/75	24

Note: Rated output of secondary winding is only matched to one of the relevant accuracy class.

5 Structure and Feature

The series PT is of post type. Its hermetically sealed by epoxy resin design, with advantages of anti-pollution, anti-damp, small in size, light in weight, easy to be installed is also suitable for tropic area and free from special maintenance except periodically surface clean. Secondary outlet terminal is equipped with connection terminal box. Upside and profile of the box have a hole respectively. The two holes together with outlet terminal are for leading out. Four holes at the bottom of the PT are suitable for mounting.

6 Outline and Mounting Dimensions



7 Information required for order placing

- 7.1 Model
- 7.2 Rated current ratio: A
- 7.3 Accuracy class and rated output: VA
- 7.4 Altitude: m

JDZ10-10、JDZX10-10 Type voltage transformer

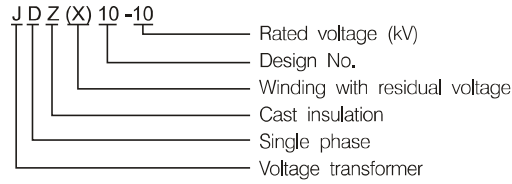


1 Applications

JDZ10-10、JDZX10-10 type voltage transformer (PT for short hereinafter), is suitable for power metering, voltage monitoring and relay protection in power system with rated frequency 50Hz or 60Hz and rated voltage 10kV.

Applicable Standard: IEC60044-2 Voltage transformer.

2 Type Designation



3 Operation Conditions

- 3.1 Installation area: indoor
- 3.2 Ambient temperature: Max. temperature: +40°C; Min. temperature: -5°C;
daily average temperature: not more than 30°C
- 3.3 Altitude: not more than 1000m
- 3.4 Air conditions: No heavy pollution in air

4 Technical Parameters

4.1 Rated values of JDZ10-10 type voltage transformer

Model	Rated primary voltage (V)	Rated secondary voltage (V)	Rated output (VA)		Ultimate output (VA)	Rated insulation level (kV)	Weiht (kg)
			Class 0.2	Class 0.5			
JDZ10-10	10000	100	15	30	200	12/42/75	19

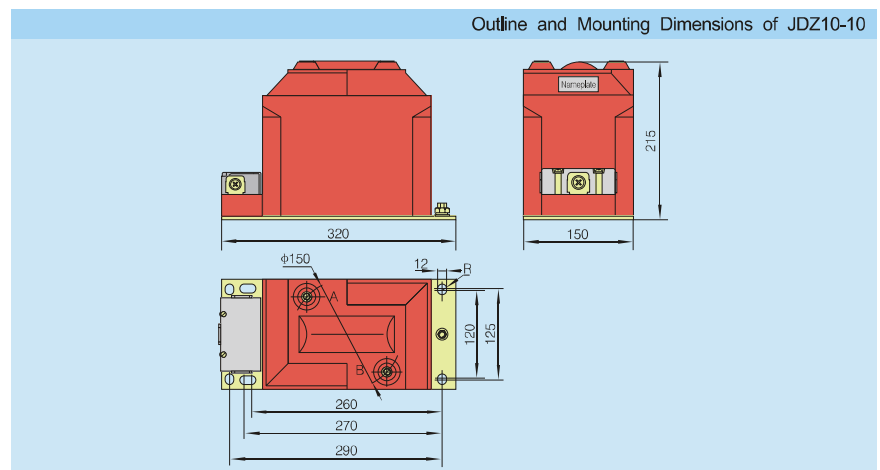
Note: Rated output is only matched to one of the relevant accuracy class.

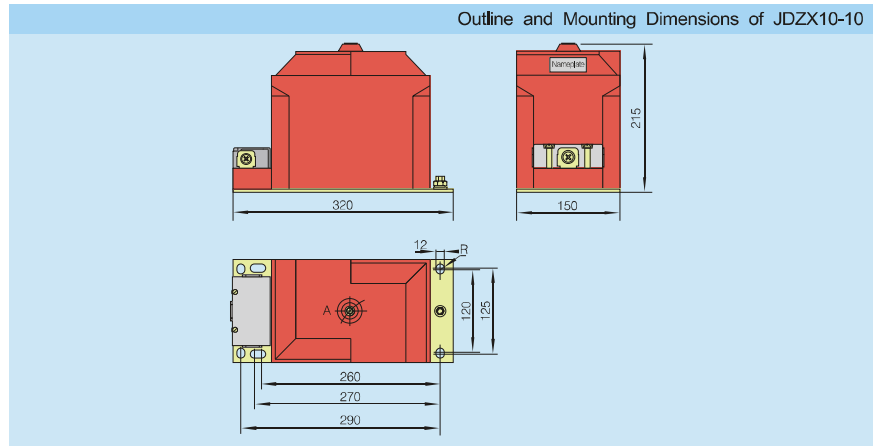
4.2 Rated values of JDZX10-10 type voltage transformer

Model	Rated primary voltage (V)	Rated secondary voltage (V)	Voltage of winding with residual voltage (V)	Rated output of secondary winding (VA)		Rated output of winding with residual voltage (VA)	Ultimate output (VA)	Rated insulation level (kV)	Weiht (kg)
				Class 0.2	Class 0.5				
JDZX10-10	10000/√3	100/√3	100/3	15	30	50	200	12/42/75	20

Note: Rated output of secondary winding is only matched to one of the relevant accuracy class.

5 Outline and Mounting Dimensions





6 Structure and Feature

The series PT is of post type. Its hermetically sealed by epoxy resin, with design advantages of anti-pollution, anti-damp, small in size, light in weight, easy to be installed is also suitable for tropic area and free from special maintenance except periodically surface clean. Secondary outlet terminal is equipped with connection terminal box. Upside and profile of the box have a hole respectively. The two holes together with outlet terminal are for leading out. Six holes at the bottom of the PT are suitable for mounting.

7 Information required for order placing

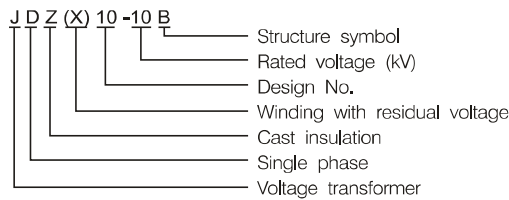
- 7.1 Model
- 7.2 Rated current ratio: A
- 7.3 Accuracy class and rated output: VA
- 7.4 Altitude: m

JDZ10-10B、JDZX10-10B Type voltage transformer

1 Applications

JDZ10-10B、JDZX10-10B type voltage transformer (PT for short hereinafter), is suitable for power metering, voltage monitoring and relay protection in power system with rated frequency 50Hz or 60Hz and rated voltage 10kV. Applicable Standard: IEC60044-2 Voltage transformer.

2 Type Designation



3 Operation Conditions

- 3.1 Installation area: indoor
- 3.2 Ambient temperature: Max, temperature: +40°C; Min, temperature: -5°C; daily average temperature: not more than 30°C
- 3.3 Altitude: not more than 1000m
- 3.4 Air conditions: No heavy pollution in air

4 Technical Parameters

4.1 Rated values of JDZ10-10B type voltage transformer

Model	Rated primary voltage (V)	Rated secondary voltage (V)	Rated output (VA)		Ultimate output (VA)	Rated insulation level (kV)	Weight(kg)
			Class 0.2	Class 0.5			
JDZ10-10B	10000	100	15	20	200	12/42/75	32

Note: Rated output is only matched to one of the relevant accuracy class.



4.2 Rated values of JDZX10-10B type voltage transformer

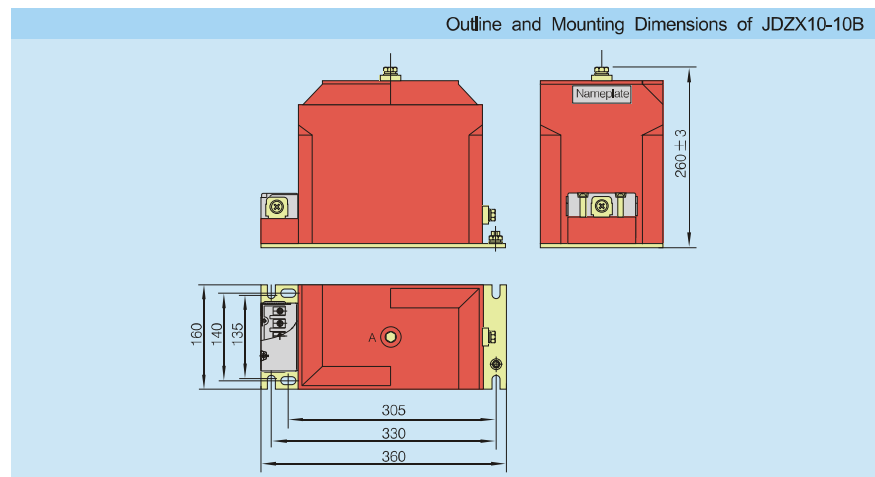
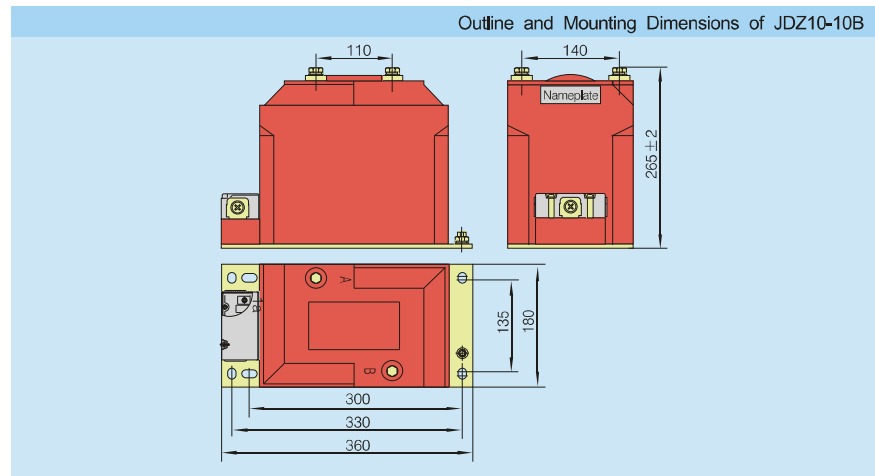
Model	Rated primary voltage (V)	Rated secondary voltage (V)	Voltage of winding with residual voltage (V)	Rated output of secondary winding (VA)		Rated output of winding with residual voltage (VA) Class 6P	Ultimate output (VA)	Rated insulation level (kV)	Weight(kg)
				Class 0.2	Class 0.5				
JDZX10-10B	10000/ $\sqrt{3}$	100/ $\sqrt{3}$	100/3	15	20	50	200	12/42/75	30

Note: Rated output of secondary winding is only matched to one of the relevant accuracy class.

5 Structure and Feature

The series PT is of post type. Its hermetically sealed by epoxy resin, with design advantages of anti-pollution, anti-damp, small in size, light in weight, easy to be installed is also suitable for tropic area and free from special maintenance except periodically surface clean. Secondary outlet terminal is equipped with connection terminal box. Upside and profile of the box have a hole respectively. The two holes together with outlet terminal are for leading out. Six holes at the bottom of the PT are suitable for mounting.

6 Outline and Mounting Dimensions



7 Information required for order placing

- 7.1 Model
- 7.2 Rated current ratio: A
- 7.3 Accuracy class and rated output: VA
- 7.4 Altitude: m

JDZ10-6、JDZX10-6 Type voltage transformer

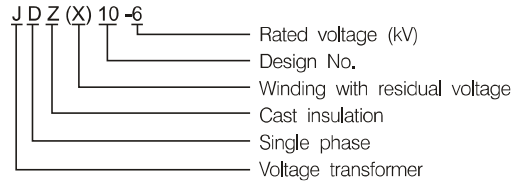


1 Applications

JDZ10-6、JDZX10-6 type voltage transformer (PT for short hereinafter), is suitable for power metering, voltage monitoring and relay protection in power system with rated frequency 50Hz or 60Hz and rated voltage 10kV.

Applicable Standard: IEC60044-2 Voltage transformer.

2 Type Designation



3 Operation Conditions

- 3.1 Installation area: indoor
- 3.2 Ambient temperature: Max. temperature: +40°C; Min. temperature: -5°C;
daily average temperature: not more than 30°C
- 3.3 Altitude: not more than 1000m
- 3.4 Air conditions: No heavy pollution in air

4 Technical Parameters

4.1 Rated values of JDZ10-6 type voltage transformer

Model	Rated primary voltage (V)	Rated secondary voltage (V)	Rated output (VA)		Ultimate output (VA)	Rated insulation level (kV)
			Class 0.2	Class 0.5		
JDZ10-6	6000	100	15	30	200	7,2/32/60

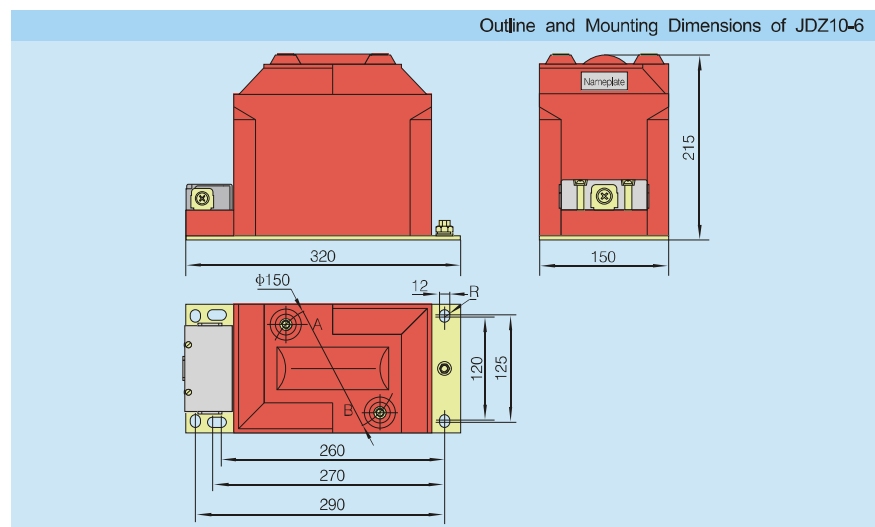
Note: Rated output is only matched to one of the relevant accuracy class.

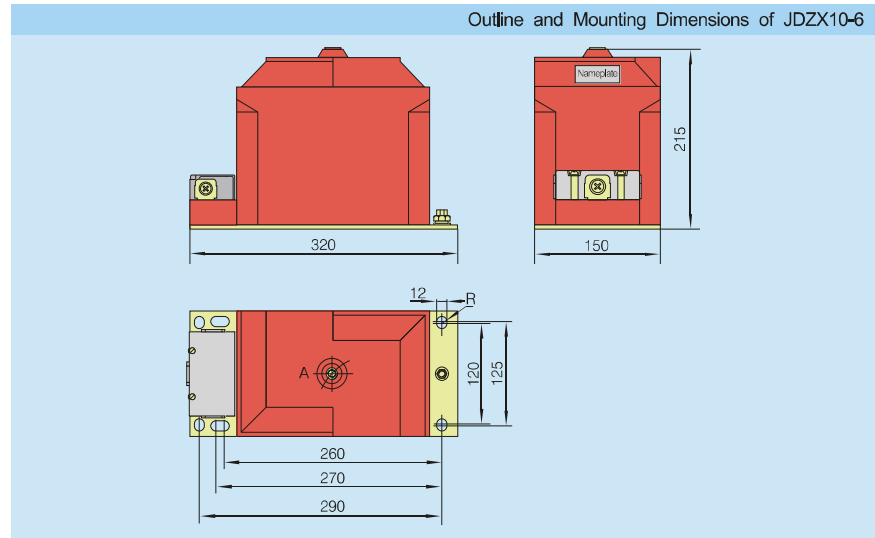
4.2 Rated values of JDZX10-6 type voltage transformer

Model	Rated primary voltage (V)	Rated secondary voltage (V)	Voltage of winding with residual voltage (V)	Rated output of secondary winding (VA)		Rated output of winding with residual voltage (VA)	Ultimate output (VA)	Rated insulation level (kV)
				Class 0.2	Class 0.5			
JDZX10-6	6000/√3	100/√3	100/3	15	30	50	200	7,2/32/60

Note: Rated output of secondary winding is only matched to one of the relevant accuracy class.

5 Outline and Mounting Dimensions





6 Structure and Feature

The series PT is of post type. Its hermetically sealed by epoxy resin, with design advantages of anti-pollution, anti-damp, small in size, light in weight, easy to be installed is also suitable for tropic area and free from special maintenance except periodically surface clean. Secondary outlet terminal is equipped with connetion terminal box. Upside and profile of the box have a hole respectively. The two holes together with outlet terminal are for leading out. Six holes at the bottom of the PT are suitable for mounting.

7 Information required for order placing

- 7.1 Model
- 7.2 Rated current ratio: A
- 7.3 Accuracy class and rated output: VA
- 7.4 Altitude: m

JDZ11-10A Type voltage transformer

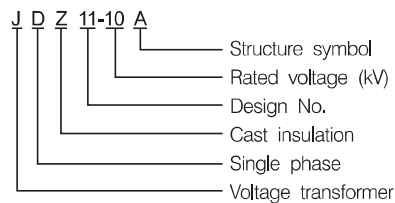


1 Applications

JDZ11-10A type voltage transformer (PT for short hereinafter) is suitable for power metering, voltage monitoring and relay protection in power system with rated frequency 50Hz or 60Hz and rated voltage 10kV.

Applicable Standard: IEC60044-2 Voltage transformer.

2 Type Designation



3 Operation Conditions

- 3.1 Installation area: indoor
- 3.2 Ambient temperature: Max. temperature: +40°C; Min. temperature: -5°C;
daily average temperature: not more than 30°C
- 3.3 Altitude: not more than 1000m
- 3.4 Air conditions: No heavy pollution in air

4 Technical Parameters

4.1 Table1 for Rated values of JDZ11-10A type voltage transformer

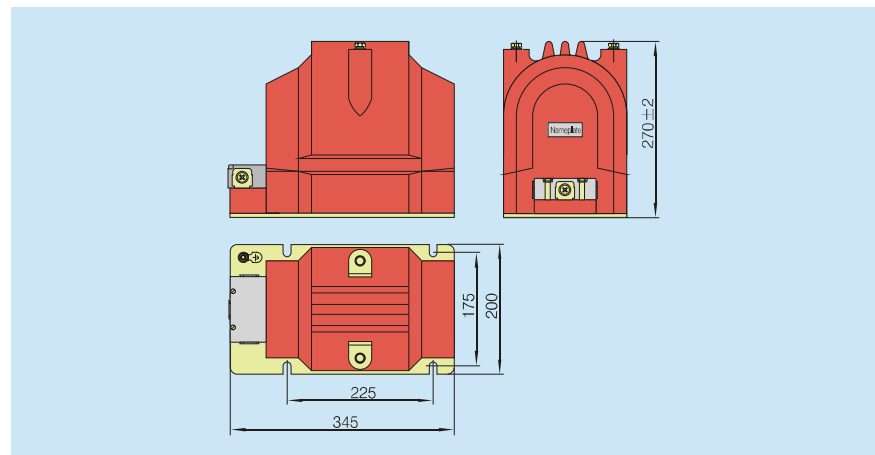
Model	Rated primary voltage (V)	Rated secondary voltage (V)	Rated output (VA)		Ultimate output (VA)	Rated insulation level (kV)	Rated power factor
			class 0.2	class 0.5			
JDZ11-10A	10000	100	40	100	500	12/42/75	1.2

4.2 Insulation level: 12/42/75kV

5 Structure and Feature

The series PT is of post type. Its hermetically sealed by epoxy resin, with design advantages of anti-pollution, anti-damp, small in size, light in weight, easy to be installed is also suitable for tropic area and free from special maintenance except periodically surface clean. Secondary outlet terminal is equipped with connection terminal box. Upside and profile of the box have a hole respectively. The two holes together with outlet terminal are for leading out. Six holes at the bottom of the PT are suitable for mounting.

6 Outline and Mounting Dimensions



7 Information required for order placing

- 7.1 Model
- 7.2 Rated current ratio: A
- 7.3 Accuracy class and rated output: VA
- 7.4 Altitude: m





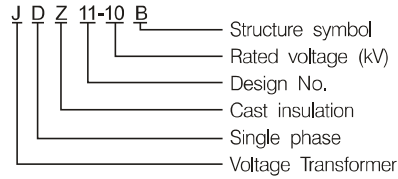
JDZ11-10B Type voltage transformer

1 Applications

JDZ11-10B type voltage transformer (PT for short hereinafter) is suitable for power metering, voltage monitoring and relay protection in power system with rated frequency 50Hz or 60Hz and rated voltage 10kV.

Applicable Standard: IEC60044-2 Voltage Transformer.

2 Type Designation



3 Operation Conditions

3.1 Installation area: indoor

3.2 Ambient temperature: Max. temperature: +40°C; Min. temperature: -5°C;
daily average temperature: not more than 30°C

3.3 Altitude: not more than 1000m

3.4 Air conditions: No heavy pollution in air

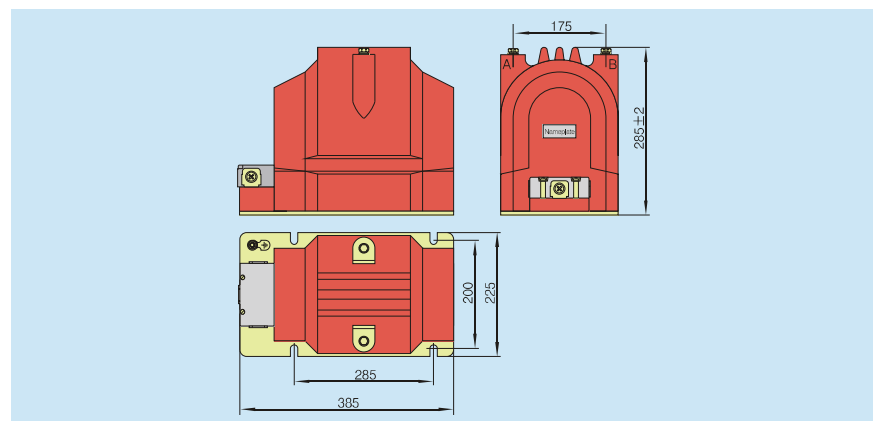
4 Technical Parameters

Model	Rated primary voltage (V)	Rated secondary voltage (V)	Rated output (VA)		Ultimate output (VA)	Rated insulation level (kV)	Rated power factor
			0.2 class	0.5 class			
JDZ11-10B	10000	100/100	20	30	300	12/42/75	1.2

5 Structure and Feature

The series PT is of post type. Its hermetically sealed by epoxy resin, with design advantages of anti-pollution, anti-damp, small in size, light in weight, easy to be installed is also suitable for tropic area and free from special maintenance except periodically surface clean. Secondary outlet terminal is equipped with connection terminal box. Upside and profile of the box have a hole respectively. The two holes together with outlet terminal are for leading out.

6 Outline and Mounting Dimensions



7 Information required for order placing

7.1 Model

7.2 Rated current ratio: A

7.3 Accuracy class and rated output: VA

7.4 Altitude: m



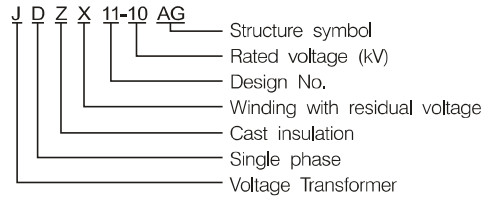
JDZX11-10AG Type voltage transformer

1 Applications

JDZX11-10AG type voltage transformer (PT for short hereinafter) is suitable for power metering, voltage monitoring and relay protection in power system with rated frequency 50Hz or 60Hz and rated voltage 10kV.

Applicable Standard: IEC60044-2 Voltage Transformer.

2 Type Designation



3 Operation Conditions

- 3.1 Installation area: indoor
- 3.2 Ambient temperature: Max. temperature: +40°C; Min. temperature: -5°C;
daily average temperature: not more than 30°C
- 3.3 Altitude: not more than 1500m
- 3.4 Air conditions: No heavy pollution in air

4 Technical Parameters

4.1 Technical Parameters of JDZX11-10AG type voltage transformer

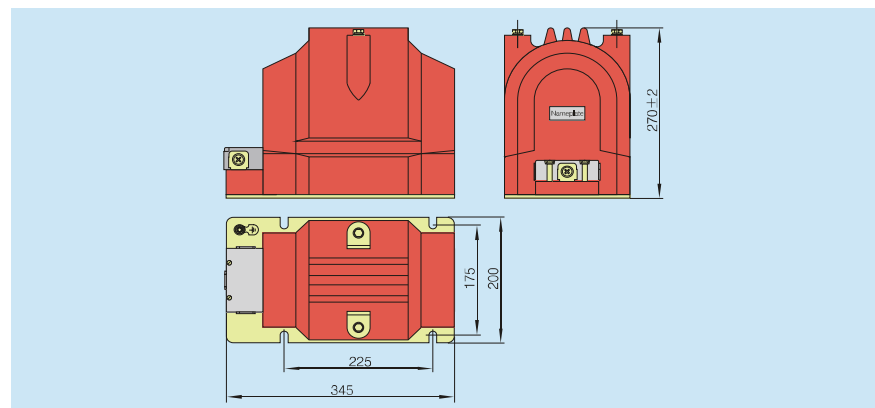
Model	Rated primary voltage (V)	Rated secondary voltage (V)	Rated output (VA)			Ultimate output (VA)	Rated insulation level (kV)	Rated power factor
			class 0,2	class 0,5	class 6P			
JDZX11-10AG	10000/√3	100/√3/100/3	20	60	100	400	12/42/75	1,9

4.2 Insulation level: 12/42/75kV

5 Structure and Feature

The series PT is of post type. Its hermetically sealed by epoxy resin, with design advantages of anti-pollution, anti-damp, small in size, light in weight, easy to be installed is also suitable for tropic area and free from special maintenance except periodically surface clean. Secondary outlet terminal is equipped with connection terminal box. Upside and profile of the box have a hole respectively. The two holes together with outlet terminal are for leading out. Six holes at the bottom of the PT are suitable for mounting.

6 Outline and Mounting Dimensions



7 Information required for order placing

- 7.1 Model
- 7.2 Rated current ratio: A
- 7.3 Accuracy class and rated output: VA
- 7.4 Altitude: m

JDZ(J)-3、6、10(Q) Type voltage transformer

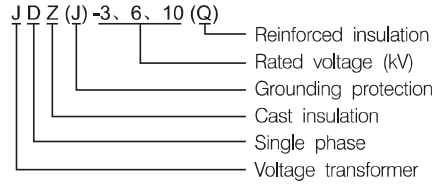


1 Applications

JDZ(J)-3(Q)、6(Q)、10(Q) series voltage transformers (PT for short hereinafter), are very suitable for power metering, voltage monitoring and relay protection in power system with rated frequency 50Hz or 60Hz and rated voltage from 3kV to 10kV.

Applicable Standard: IEC60044-2 Voltage transformer.

2 Type Designation



3 Operation Conditions

- 3.1 Installation area: indoor
- 3.2 Ambient temperature: Max. temperature: +40°C; Min. temperature: -5°C;
daily average temperature: not more than 30°C
- 3.3 Altitude: not more than 1000m
- 3.4 Air conditions: No heavy pollution in air

4 Technical Parameters

4.1 Rated values of JDZ-3(Q)、6(Q)、10(Q) series voltage transformer

Model	Rated primary voltage (V)	Rated secondary voltage (V)	Rated output (VA)		Ultimate output (VA)	Rated insulation level (kV)	Weight(kg)
			Class 0.2	Class 0.5			
JDZ-10(Q)	10000	100	30	80	500	12/42/75	24
JDZ-6(Q)	6000		25	50	400	7.2/32/60	20
JDZ-3(Q)	3000		15	30	200	3.6/24/40	20

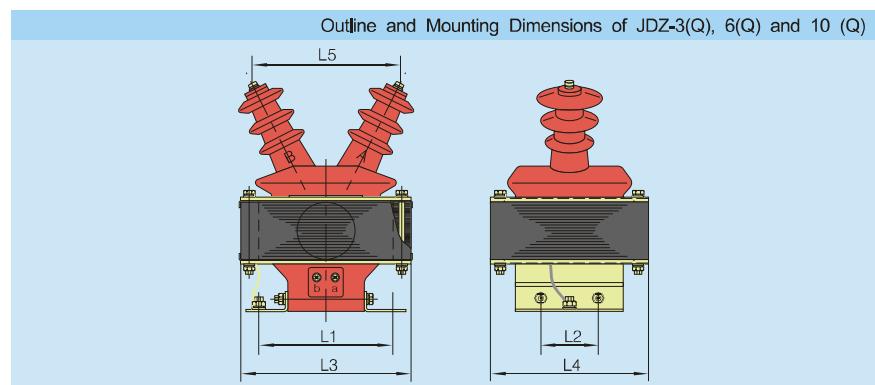
Note: Rated output is only matched to one of the relevant accuracy class.

4.2 Rated values of JDZ-3(Q)、6(Q)、10(Q) series voltage transformer

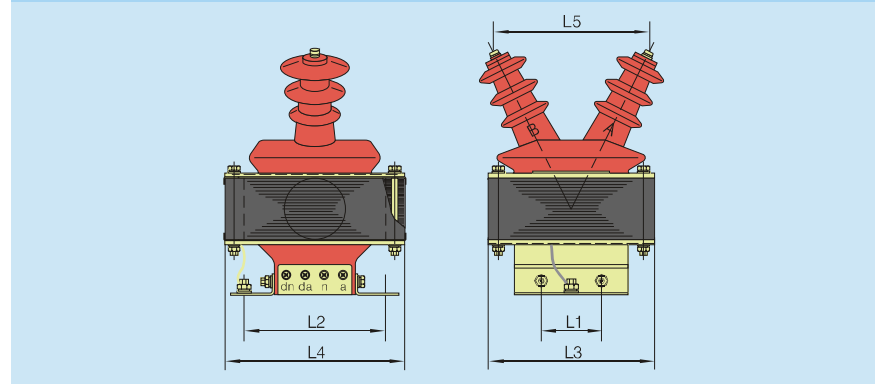
Model	Rated primary voltage (V)	Rated secondary voltage (V)	Voltage of winding with residual voltage (V)	Rated output of secondary winding (VA)			Ultimate output (VA)	Rated insulation level (kV)	Weight(kg)
				Class 0.2	Class 0.5	Class 6P			
JDZJ-10(Q)	10000/√3	100/√3	100/3	30	50		400	12/42/75	24
JDZJ-6(Q)	6000/√3			15	30	50	400	7.2/32/60	20
JDZJ-3(Q)	3000/√3			15	30		200	3.6/24/40	20

Note: Rated output of secondary winding is only matched to one of the relevant accuracy class.

5 Outline and Mounting Dimensions



Outline and Mounting Dimensions of JDZ-3(Q), 6(Q) and 10 (Q)



Model	L1	L2	L3	L4	L5	H
JDZ-10(Q)	163	90	237	206	180	310
JDZ-3(Q), 6(Q)	163	90	218	188	160	278
JDZJ-10(Q)	90	163	206	237	180	310
JDZJ-3(Q) , 6(Q)	90	163	188	218	160	278

6 Structure and Feature

The series PT is semi-enclosed cast type. It has a core of high-quality multi-layer silicon sheets. There is cylindric and concentric combined coil by primary coil, secondary coil and winding with residual voltage (if need). Clamps at the bottom of PT is used of fixing.

7 Information required for order placing

- 7.1 Model
- 7.2 Rated current ratio: A
- 7.3 Accuracy class and rated output: VA
- 7.4 Altitude: m

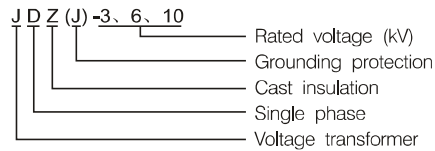
JDZ(J)-3、6、10 Type voltage transformer

1 Applications

JDZ(J)-3、6、10 series voltage transformers (PT for short hereinafter), are very suitable for power metering, voltage monitoring and relay protection in power system with rated frequency 50Hz or 60Hz and rated voltage from 3kV to 10kV.

Applicable Standard: IEC60044-2 Voltage transformer.

2 Type Designation



3 Operation Conditions

- 3.1 Installation area: indoor
- 3.2 Ambient temperature: Max. temperature: +40°C; Min. temperature: -5°C;
daily average temperature: not more than 30°C
- 3.3 Altitude: not more than 1000m
- 3.4 Air conditions: No heavy pollution in air

4 Structure and Feature

The series PT is semi-enclosed cast type. It has a core of high-quality multi-layer silicon sheets. There is cylindric and concentric combined coil by primary coil, secondary coil and winding with residual voltage (if need). Clamps at the bottom of PT is used of fixing.



5 Technical Parameters

5.1 Rated values of JDZ-3, 6, 10 series voltage transformer

Model	Rated primary voltage (V)	Rated secondary voltage (V)	Rated output (VA)		Ultimate output (VA)	Rated insulation level (kV)	Weight(kg)
			Class 0.2	Class 0.5			
JDZ-10	10000	100	30	80	500	12/42/75	25
JDZ-6	6000		25	50	300	7.2/32/60	17
JDZ-3	3000		25	30	200	3.6/24/40	17

Note: Rated output is only matched to one of the relevant accuracy class.

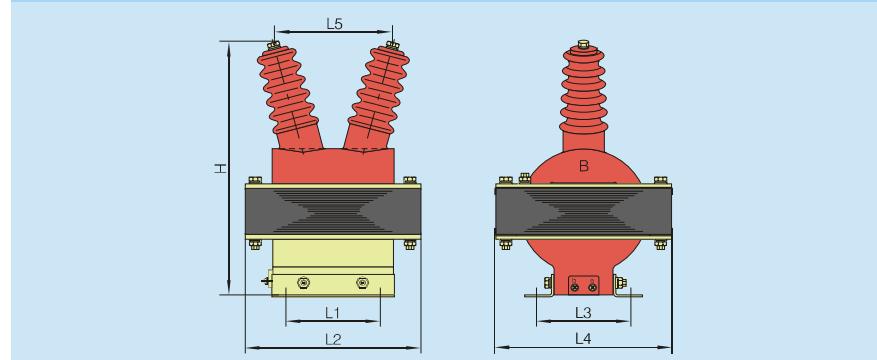
5.2 Rated values of JDZJ-3, 6, 10 series voltage transformer

Model	Rated primary voltage (V)	Rated secondary voltage (V)	Voltage of winding with residual voltage (V)	Rated output of secondary winding (VA)		Rated output of winding with residual voltage (VA)	Ultimate output (VA)	Rated insulation level (kV)	Weight(kg)			
				Class 0.2	Class 0.5							
JDZJ-10	10000/ $\sqrt{3}$	100/ $\sqrt{3}$	100/3	30	50	300	12/42/75	25				
JDZJ-6	6000/ $\sqrt{3}$			15	30				50	200	7.2/32/60	19
JDZJ-3	3000/ $\sqrt{3}$			15	30				200	3.6/24/40	19	

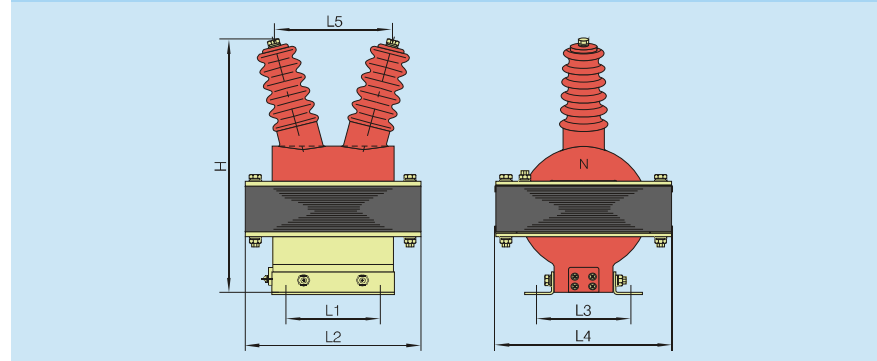
Note: Rated output of secondary winding is only matched to one of the relevant accuracy class.

6 Outline and Mounting Dimensions

Outline and Mounting Dimensions of JDZ3, 6, 10



Outline and Mounting Dimensions of JDZJ3, 6, 10



Model		L1	L2	L3	L4	L5	H
JDZ-10	JDZJ-10	140	226	128	240	160	358
JDZ-3, 6	JDZJ-3, 6	110	200	120	217	120	268

7 Information required for order placing

- 7.1 Model
- 7.2 Rated current ratio: A
- 7.3 Accuracy class and rated output: VA
- 7.4 Altitude: m



CHINT T&D More Than Power

International Trade Services:

Attributed to our reliable quality and perfect after sale service, CHINT T&D has been relied on and entrusted with by many of our clients around the world. We will continue to supply best products and try hard to win more compliments through our best service.

For inquiries, further interests for products cooperation, partnership, international alliance, investment discussion with us, please contact the following representatives.

Area	Representative	Tel	E-mail
Asia-pacific	Selina Peng	(+86) 21 67777 7777 ext. 80917	pengxuan@chint.com
America	Bernard Cai	(+86) 21 67777 7777 ext. 80929	caiwc@chint.com
Middle-east	Xing Peng	00971 50 2929563	chintxp@gmail.com
Europe	Winner Wang	(+86) 21 67777 7777 ext. 80939	wfgang@chint.com
Russian-speaking countries	Jian Huang	(+86) 21 67777 7777 ext. 80919	hjian@chint.com
Africa	Logan Liu	(+86) 21 67777 7777 ext. 80918	lwgen@chint.com
General Manager	Yin Zhang		zyin@chint.com

Address:

International Trade Department
1255 Wenhe Road, Songjiang District
Shanghai 201614, China
Tel: (+86) 21 6777 7777 ext. 80953
Fax: (+86) 21 6777 7999
<http://www.chintelectric.com>
<http://www.chint.com>



The contents and data in this catalogue are for reference only. The real order requirements and technical agreements shall prevail. The catalogue is subject to change without further notice. The latest edition is recommended. CHINT reserves the right of interpretation.